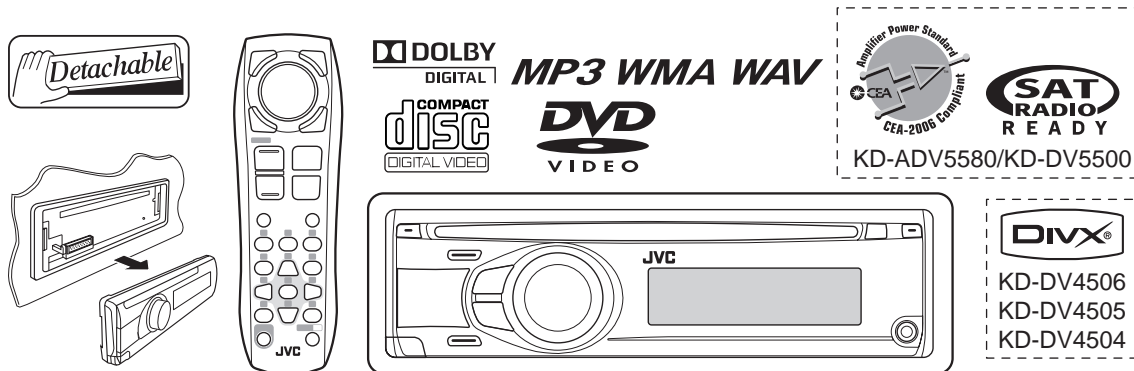


JVC

SERVICE MANUAL

DVD/CD RECEIVER

**KD-ADV5580J, KD-DV5500J, KD-DV4504UI,
KD-DV4505U, KD-DV4505UN, KD-DV4505UT,
KD-DV4505A, KD-DV4506U, KD-DV4506UN,
KD-DV4506UT, KD-DV4506A, KD-DV4588UF,
KD-DV4505UH, KD-DV4506UH**



Lead free solder used in the board (material : Sn-Ag-Cu, melting point : 219 Centigrade)

Lead free solder used in the board (material : Sn-Cu, melting point : 230 Centigrade)

TABLE OF CONTENTS

1	PRECAUTION	1-6
2	SPECIFIC SERVICE INSTRUCTIONS	1-9
3	DISASSEMBLY	1-10
4	ADJUSTMENT	1-16
5	TROUBLESHOOTING	1-20

SPECIFICATION

KD-ADV5580/KD-DV5500

AUDIO AMPLIFIER SECTION			
Power Output		20 W RMS × 4 Channels at 4 Ω and < or = 1% THD+N	
Signal-to-Noise Ratio		80 dBA (reference: 1 W into 4 Ω)	
Load Impedance		4 Ω (4 Ω to 8 Ω allowance)	
Tone Control Range	Bass	±12 dB (60 Hz, 80 Hz, 100 Hz, 120 Hz) Q0.5, Q1.0, Q1.5, Q2.0	
	Middle	±12 dB (60 Hz, 80 Hz, 100 Hz, 120 Hz) Q0.5, Q1.0, Q1.5, Q2.0	
	Treble	±12 dB (7.5 kHz, 10.0 kHz, 12.5 kHz, 15.0 kHz) Q0.75, Q1.25	
Audio Output Level		Digital (DIGITAL OUT: Optical)	Signal wave length: 660 nm Output level: -21 dBm to -15 dBm
		Line-Out Level/Impedance	KD-ADV5580: 5.0 V/20 kΩ load (full scale) KD-DV5500: 2.5 V/20 kΩ load (full scale)
		Output Impedance	1 kΩ
Color System		NTSC	
Video Output (composite)		1 Vp-p/75 Ω	
Other Terminal		AUX (auxiliary) input jack, CD changer jack, Steering wheel remote input (for KD-ADV5580)	
TUNER SECTION			
Frequency Range	FM	with channel interval set to 100 kHz or 200 kHz	87.5 MHz to 107.9 MHz
		with channel interval set to 50 kHz	87.5 MHz to 108.0 MHz
	AM	with channel interval set to 10 kHz	530 kHz to 1 710 kHz
		with channel interval set to 9 kHz	531 kHz to 1 602 kHz
FM Tuner		Usable Sensitivity	9.3 dBf (0.8 μV/75 Ω)
		50 dB Quieting Sensitivity	16.3 dBf (1.8 μV/75 Ω)
		Alternate Channel Selectivity (400 kHz)	65 dB
		Frequency Response	40 Hz to 15 000 Hz
		Stereo Separation	40 dB
AM Tuner		Sensitivity	20 μV
		Sensitivity	40 dB
DVD/CD PLAYER SECTION			
Signal Detection System		Non-contact optical pickup (semiconductor laser)	
Number of Channels		2 channels (stereo)	
Frequency Response		DVD, fs=48 kHz/96 kHz	16 Hz to 22 000 Hz
		CD, fs=44.1 kHz	16 Hz to 20 000 Hz
Dynamic Range		96 dB	
Signal-to-Noise Ratio		98 dB	
Wow and Flutter		Less than measurable limit	
MPEG Video	Video	Max. Resolution	720 × 480 pixels (30 fps) 720 × 576 pixels (25 fps)
		Audio	Bit Rate
			Sampling Frequency
MP3		Bit Rate	32 kbps - 320 kbps
		Sampling Frequency	MPEG-1: 32 kHz, 44.1 kHz, 48 kHz MPEG-2: 16 kHz, 22.05 kHz, 24 kHz
WMA		Bit Rate	32 kbps - 320 kbps
		Sampling Frequency	22.05 kHz, 32 kHz, 44.1 kHz, 48 kHz

WAV	Quantization Bit Rate	16 bit
	Sampling Frequency	44.1 kHz
GENERAL		
Power Requirement	Operating Voltage	DC 14.4 V (11 V to 16 V allowance)
Grounding System		Negative ground
Allowable Operating Temperature		0°C to +40°C (32°F to 104°F)
Dimensions (W × H × D)	Installation Size (approx.)	182 mm × 52 mm × 159 mm (7-3/16" × 2-1/16" × 6-5/16")
	Panel Size (approx.)	188 mm × 58 mm × 6 mm (7-7/16" × 2-5/16" × 1/4")
Mass (approx.)		1.4 kg (3.1 lbs) (excluding accessories)

Design and specifications are subject to change without notice.

KD-DV4506

AUDIO AMPLIFIER SECTION		
Maximum Power Output	Front/Rear	50 W per channel
Continuous Power Output (RMS)	19 W per channel into 4 Ω, 40 Hz to 20 000 Hz at no more than 0.8% total	
Load Impedance	4 Ω (4 Ω to 8 Ω allowance)	
Tone Control Range	Bass	±12 dB (60 Hz, 80 Hz, 100 Hz, 120 Hz) Q0.5, Q1.0, Q1.5, Q2.0
	Middle	±12 dB (0.5 kHz, 1.0 kHz, 1.5 kHz, 2.5 kHz) Q0.75, Q1.0, Q1.25, Q1.5
	Treble	±12 dB (7.5 kHz, 10.0 kHz, 12.5 kHz, 15.0 kHz) Q0.75, Q1.25
Signal-to-Noise Ratio	80 dB	
Audio Output Level	Digital (DIGITAL OUT: Optical)	Signal wave length: 660 nm Output level: -21 dBm to -15 dBm
	Line-Out Level/Impedance	2.5 V/20 kΩ load (full scale)
	Output Impedance	1 kΩ
Color System	PAL/NTSC	
Video Output (composite)	1 Vp-p/75 Ω	
Other Terminal	AUX (auxiliary) input jack, CD changer jack	
TUNER SECTION		
Frequency Range	FM	87.5 MHz to 108.0 MHz
	AM	531 kHz to 1 602 kHz
FM Tuner	Usable Sensitivity	9.3 dBf (0.8 μV/75 Ω)
	50 dB Quieting Sensitivity	16.3 dBf (1.8 μV/75 Ω)
	Alternate Channel Selectivity (400 kHz)	65 dB
	Frequency Response	40 Hz to 15 000 Hz
	Stereo Separation	40 dB
AM Tuner	Sensitivity	20 μV
	Selectivity	40 dB
DVD/CD PLAYER SECTION		
Signal Detection System	Non-contact optical pickup (semiconductor laser)	
Number of Channels	2 channels (stereo)	
Frequency Response	DVD, fs=48 kHz/96 kHz	16 Hz to 22 000 Hz
	CD, fs=44.1 kHz	16 Hz to 20 000 Hz
Dynamic Range	96 dB	
Signal-to-Noise Ratio	98 dB	
Wow and Flutter	Less than measurable limit	

DivX/MPEG Video	Video	Max. Resolution:	720 × 480 pixels (30 fps) 720 × 576 pixels (25 fps)
	Audio	Bit Rate	32 kbps - 320 kbps
		Sampling Frequency: DivX	MPEG-1: 32 kHz, 44.1 kHz, 48 kHz MPEG-2: 16 kHz, 22.05 kHz, 24 kHz
		Sampling Frequency: MPEG Video	32 kHz, 44.1 kHz, 48 kHz
MP3		Bit Rate	32 kbps - 320 kbps
		Sampling Frequency	MPEG-1: 32 kHz, 44.1 kHz, 48 kHz MPEG-2: 16 kHz, 22.05 kHz, 24 kHz
WMA		Bit Rate	32 kbps - 320 kbps
		Sampling Frequency	22.05 kHz, 32 kHz, 44.1 kHz, 48 kHz
WAV		Quantization Bit Rate	16 bit
		Sampling Frequency	44.1 kHz
GENERAL			
Power Requirement		Operating Voltage	DC 14.4 V (11 V to 16 V allowance)
Grounding System		Negative ground	
Allowable Operating Temperature		0°C to +40°C	
Dimensions (W × H × D)		Installation Size (approx.)	182 mm × 52 mm × 159 mm
		Panel Size (approx.)	188 mm × 58 mm × 6 mm
Mass (approx.)		1.4 kg (excluding accessories)	

Design and specifications are subject to change without notice.

KD-DV4505/KD-DV4504/KD-DV4588


AUDIO AMPLIFIER SECTION			
Maximum Power Output		Front/Rear	50 W per channel
Continuous Power Output (RMS)		Front/Rear	19 W per channel into 4 Ω, 40 Hz to 20 000 Hz at no more than 0.8% total
Load Impedance		4 Ω (4 Ω to 8 Ω allowance)	
Tone Control Range	Bass	±12 dB (60 Hz, 80 Hz, 100 Hz, 120 Hz) Q0.5, Q1.0, Q1.5, Q2.0	
	Middle	±12 dB (0.5 kHz, 1.0 kHz, 1.5 kHz, 2.5 kHz) Q0.75, Q1.0, Q1.25, Q1.5	
	Treble	±12 dB (7.5 kHz, 10.0 kHz, 12.5 kHz, 15.0 kHz) Q0.75, Q1.25	
Signal-to-Noise Ratio		80 dB	
Audio Output Level	Digital (DIGITAL OUT: Optical)		Signal wave length: 660 nm Output level: -21 dBm to -15 dBm
	Line-Out Level/Impedance		2.5 V/20 kΩ load (full scale)
	Output Impedance		1 kΩ
Color System		PAL/NTSC	
Video Output (composite)		1 Vp-p/75 Ω	
Other Terminal		AUX (auxiliary) input jack, CD changer jack	
TUNER SECTION			
Frequency Range		FM	87.5 MHz to 108.0 MHz
		AM	531 kHz to 1 602 kHz
FM Tuner		Usable Sensitivity	9.3 dBf (0.8 μV/75 Ω)
		50 dB Quieting Sensitivity	16.3 dBf (1.8 μV/75 Ω)
		Alternate Channel Selectivity (400 kHz)	65 dB
		Frequency Response	40 Hz to 15 000 Hz
		Stereo Separation	40 dB

AM Tuner		Sensitivity	20 μ V
		Sensitivity	40 dB
DVD/CD PLAYER SECTION			
Signal Detection System		Non-contact optical pickup (semiconductor laser)	
Number of Channels		2 channels (stereo)	
Frequency Response		DVD, fs=48 kHz/96 kHz	16 Hz to 22 000 Hz
		CD, fs=44.1 kHz	16 Hz to 20 000 Hz
Dynamic Range		96 dB	
Signal-to-Noise Ratio		98 dB	
Wow and Flutter		Less than measurable limit	
DivX/MPEG Video	Video	Max. Resolution	720 \times 480 pixels (30 fps) 720 \times 576 pixels (25 fps)
		Audio	Bit Rate
	Sampling Frequency: DivX		MPEG-1: 32 kHz, 44.1 kHz, 48 kHz
	Sampling Frequency: MPEG Video	32 kHz, 44.1 kHz, 48 kHz	
MP3		Bit Rate	32 kbps - 320 kbps
		Sampling Frequency	MPEG-1: 32 kHz, 44.1 kHz, 48 kHz MPEG-2: 16 kHz, 22.05 kHz, 24 kHz
WMA		Bit Rate	32 kbps - 320 kbps
		Sampling Frequency	22.05 kHz, 32 kHz, 44.1 kHz, 48 kHz
WAV		Quantization Bit Rate	16 bit
		Sampling Frequency	44.1 kHz
GENERAL			
Power Requirement		Operating Voltage	DC 14.4 V (11 V to 16 V allowance)
Grounding System		Negative ground	
Allowable Operating Temperature		0°C to +40°C	
Dimensions (W \times H \times D)		Installation Size (approx.)	182 mm \times 52 mm \times 159 mm
		Panel Size (approx.)	188 mm \times 58 mm \times 6 mm
Mass (approx.)		1.4 kg (excluding accessories)	

Design and specifications are subject to change without notice.

SECTION 1 PRECAUTION

1.1 Safety Precautions

 **CAUTION** Burrs formed during molding may be left over on some parts of the chassis. Therefore, pay attention to such burrs in the case of performing repair of this system.

 **CAUTION** Please use enough caution not to see the beam directly or touch it in case of an adjustment or operation check.

1.2 Preventing static electricity

Electrostatic discharge (ESD), which occurs when static electricity stored in the body, fabric, etc. is discharged, can destroy the laser diode in the traverse unit (optical pickup). Take care to prevent this when performing repairs.

1.2.1 Grounding to prevent damage by static electricity

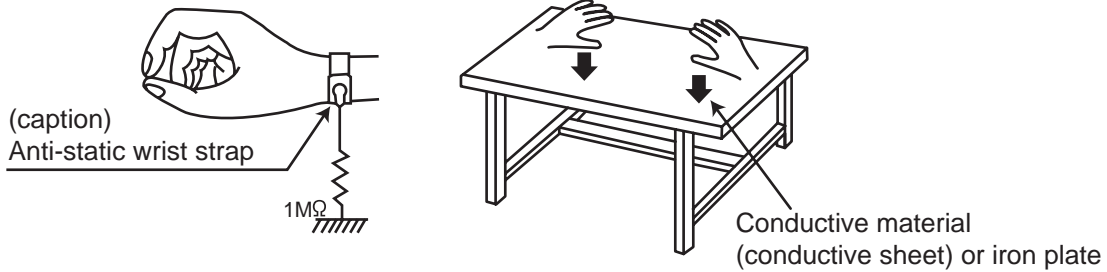
Static electricity in the work area can destroy the optical pickup (laser diode) in devices such as laser products. Be careful to use proper grounding in the area where repairs are being performed.

(1) Ground the workbench

Ground the workbench by laying conductive material (such as a conductive sheet) or an iron plate over it before placing the traverse unit (optical pickup) on it.

(2) Ground yourself

Use an anti-static wrist strap to release any static electricity built up in your body.



(3) Handling the optical pickup

- In order to maintain quality during transport and before installation, both sides of the laser diode on the replacement optical pickup are shorted. After replacement, return the shorted parts to their original condition. (Refer to the text.)
- Do not use a tester to check the condition of the laser diode in the optical pickup. The tester's internal power source can easily destroy the laser diode.

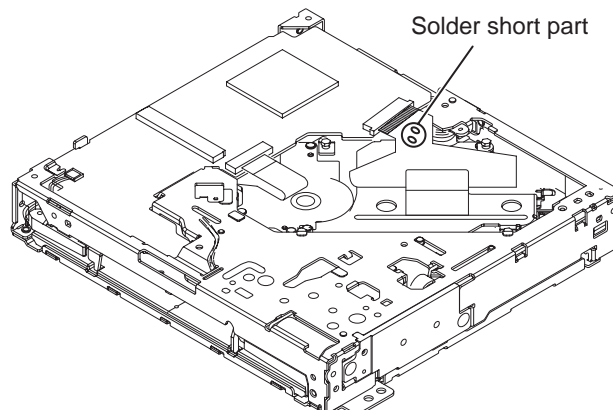
1.3 Handling the traverse unit (optical pickup)

- (1) Do not subject the traverse unit (optical pickup) to strong shocks, as it is a sensitive, complex unit.
- (2) Cut off the shorted part of the flexible cable using nippers, etc. after replacing the optical pickup. For specific details, refer to the replacement procedure in the text. Remove the anti-static pin when replacing the traverse unit. Be careful not to take too long a time when attaching it to the connector.
- (3) Handle the flexible cable carefully as it may break when subjected to strong force.
- (4) It is not possible to adjust the semi-fixed resistor that adjusts the laser power. Do not turn it.

1.4 Attention when traverse unit is decomposed

***Please refer to "Disassembly method" in the text for the pickup unit.**

- Apply solder to the short land before the card wire is disconnected from the connector on the pickup unit. (If the card wire is disconnected without applying solder, the pickup may be destroyed by static electricity.)
- In the assembly, be sure to remove solder from the short land after connecting the card wire.



1.5 Important for laser products

1.CLASS 1 LASER PRODUCT

2.CAUTION :

(For U.S.A.) Visible and/or invisible class II laser radiation when open. Do not stare into beam.

(Others) Visible and/or invisible class 1M laser radiation when open. Do not view directly with optical instruments.

3.CAUTION : Visible and/or invisible laser radiation when open and inter lock failed or defeated. Avoid direct exposure to beam.

4.CAUTION : This laser product uses visible and/or invisible laser radiation and is equipped with safety switches which prevent emission of radiation when the drawer is open and the safety interlocks have failed or are defeated. It is dangerous to defeat the safety switches.

(For U.S.A.)

CAUTION : Visible and/or invisible class II laser radiation when open. Do not stare into beam.

(Others)

CAUTION : Visible and/or invisible class 1M laser radiation when open. Do not view directly with optical instruments

ACHTUNG : Sichtbare und/oder unsichtbare Laserstrahlung der Klasse 1M bei offenen Abdeckungen. Nicht direkt mit optischen Instrumenten betrachten.

ATTENTION: Rayonnement laser visible et/ou invisible de classe 1M une fois ouvert. Ne pas regarder directement avec des instruments optiques.

VOORZICHTIG: Zichtbare en/of onzichtbare klasse 1M laserstralen indien geopend. Bekijk niet direct met optische instrumenten.

ATTENZIONE: Radiazione laser in classe 1M visibile e/o invisibile quando aperto. Non osservare direttamente con strumenti ottici.

WARNING: Synlig och/eller osynlig laserstrålning, klass 1M, när denna del är öppnad. Betrakta ej strålen med optiska instrument.

VARO! Avattaessa olet alttiina nakyyvalle ja/tai näkymättömälle luokan 1M lasersateilylle. Älä tarkastele sitä optisen laitteen läpi.

ADVASEL: Synlig og/eller usynlig klasse 1M-laserstrålning ved åbning. Se ikke direkte med optiske instrumenter.

AVISO: Radiación láser de clase 1M visible y/o invisible cuando está abierto. No mirar directamente con instrumental óptico.

PRECAUÇÃO: Radiação laser de classe 1M visível e/ou invisível quando aberto. Não olhe diretamente com instrumentos ópticos.

5.CAUTION : If safety switches malfunction, the laser is able to function.

6.CAUTION : Use of controls, adjustments or performance of procedures other than those specified here in may result in hazardous radiation exposure.



CAUTION Please use enough caution not to see the beam directly or touch it in case of an adjustment or operation check.

PRECAUÇÃO: Radiação laser de classe 1M visível e/ou invisível quando aberto. Não olhe diretamente com instrumentos ópticos.

ПРЕДУПРЕЖДЕНИЕ: В открытом состоянии происходит видимое и/или невидимое излучение лазера класса 1M. Не смотрите непосредственно в оптические инструменты.

UWAGA: Otwarcie spowoduje narażenie na widzialne i/lub niewidzialne promieniowanie lasera klasy 1M. Nie patrzeć bezpośrednio w przyrządy optyczne.

UPOZORNĚNÍ: Při otevření vydává viditelné popř. neviditelné laserové ozáření třídy 1M. Nedívejte se do otvoru přímo s optickými nástroji.

FIGYELMEZTETÉS: Látható és/vagy láthatatlan 1M osztályú sugárzás nyitott állapotban. Ne nézze közvetlenül optikai műszerekkel.

注意: 打開蓋板可能會產生可見或不可見的 1M 級鐳射。不要使用光學儀器直接進行窺視。

注意: 打开蓋板可能会产生可见或不可见的 1M 级辐射。不要使用光学仪器直接进行窥视。

تنبيه: يوجد إشعاع ليزري مرئي و/أو غير مرئي من الفئة 1M عندما يكون الجهاز مفتوحاً. تجنب النظر مباشرة داخل الجهاز باستخدام أدوات بصرية.

احتياطات: هنگامی که باز گردد، تشعشع مرئی و یا نامرئی کلاس 1M لیزر وجود دارد. با لوازم چشمی مستقیماً به آن نگاه نکنید.

주의: 개방하면 가시 및/또는 비가시 클래스 1M 레이저 방사선이 나옵니다. 광학 기구로 직접 들여다보지 마십시오.

REPRODUCTION AND POSITION OF LABELS and PRINT WARNING LABEL and PRINT

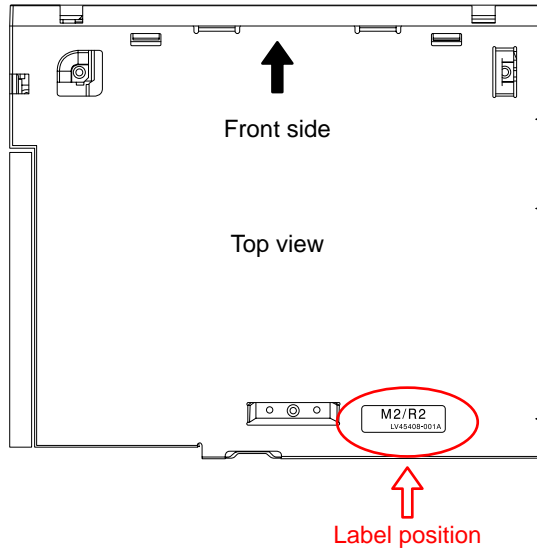


CAUTION VISIBLE AND/OR INVISIBLE CLASS 1M LASER RADIATION WHEN OPEN. DO NOT VIEW DIRECTLY WITH OPTICAL INSTRUMENTS. IEC60825-1:2001 (ENG)	ATTENTION RAYONNEMENT LASER DE CLASSE 1M INVISIBLE ET/OU INVISIBLE DE CLASSE 1M UNE FOIS OUVERT. NE PAS REGARDER DIRECTEMENT AVEC DES INSTRUMENTS OPTIQUES. (FRA)	AVISO RADIACIÓN LASER DE CLASE 1M VISIBLE Y/O INVISIBLE CUANDO ESTÁ ABIERTO. NO MIRAR DIRECTAMENTE CON INSTRUMENTAL ÓPTICO. (ESP)	WARNING SYNLIG OCH/ELLER OSYNLIG LASERSTRÅLNING, KLASS 1M, NÄR DENNA DEL ÄR ÖPPNAD. BETRAKTA EJ STRÅLEN MED OPTISKA INSTRUMENT. (SWE)	注意 ニニも顯くと不可視 及び/または不可視 のクラス1M レーザー放射が 出ます。 光学装置で直接 見ないでください。 (JPN)	CAUTION VISIBLE AND/OR INVISIBLE CLASS II LASER RADIATION WHEN OPEN. DO NOT STARE INTO BEAM. FDA 21 CFR (ENG) LV44633-003A
--	--	---	---	---	---

SECTION 2 SPECIFIC SERVICE INSTRUCTIONS

2.1 Identification method

Supported reduction in cost, and board contents and mechanism contents were changed.
A set put the following label on is an object.



Change pwb and mechanism parts

SECTION 3 DISASSEMBLY

3.1 Main body (Used figure are KD-ADV5580J)

3.1.1 Removing the Bottom chassis (See Fig.1)

- (1) Disengage six hooks **a** engaged Bottom chassis.

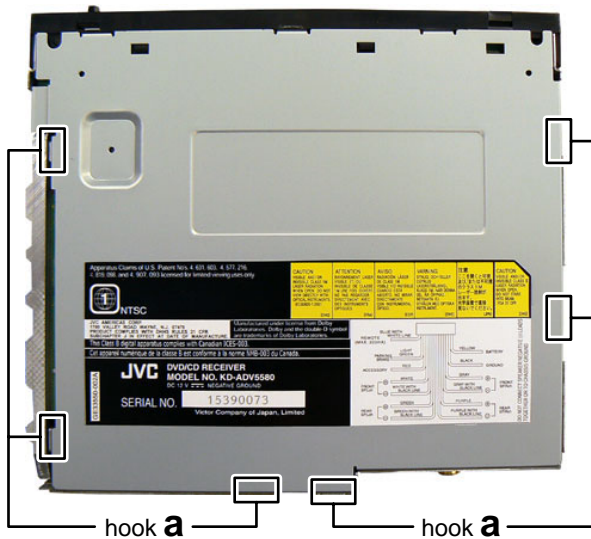


Fig.1

3.1.2 Removing the Front chassis (See Fig.2)

- (1) Disengage four hooks **b** both side of the Front chassis.

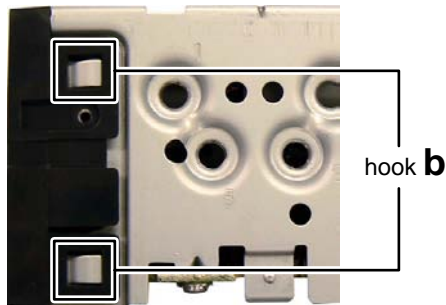


Fig.2

3.1.3 Removing the Heat sink (See Fig.3)

- (1) Remove the two screws **A**, two screws **B** and one screw **C** attaching the Heat sink.

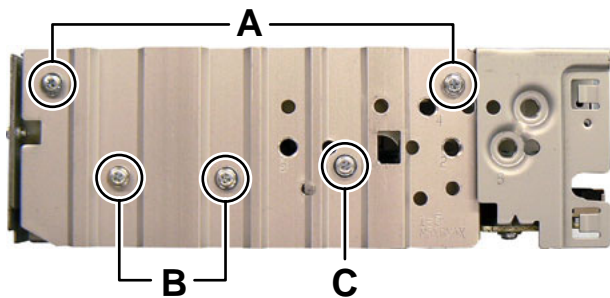


Fig.3

3.1.4 Removing the Main board (See Fig.4 to 6)

- (1) Remove the three screws **D**, two screws **E**, two screws **F** and one screw **G** attaching the Rear bracket. (See Fig.4)

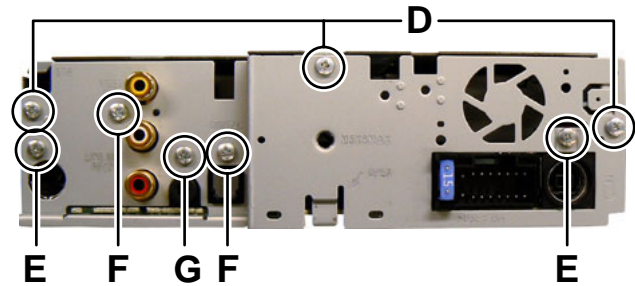


Fig.4

- (2) Remove the three screws **H** attaching the Main board. (See Fig.5)

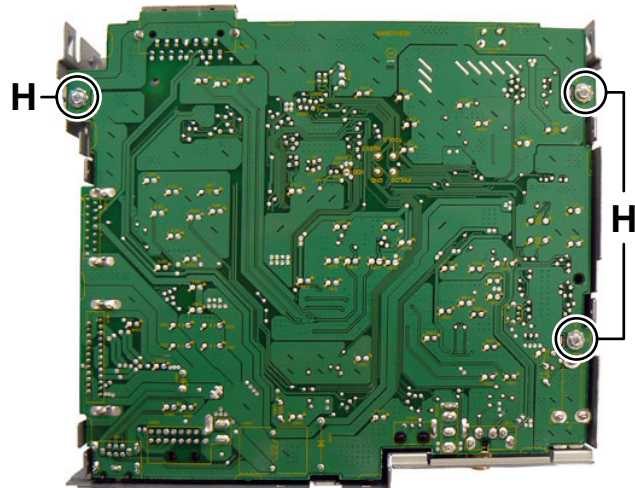


Fig.5

- (3) Disconnect the card wire from Main board connected to connector **CN403** of the Front end board. (See Fig.6)

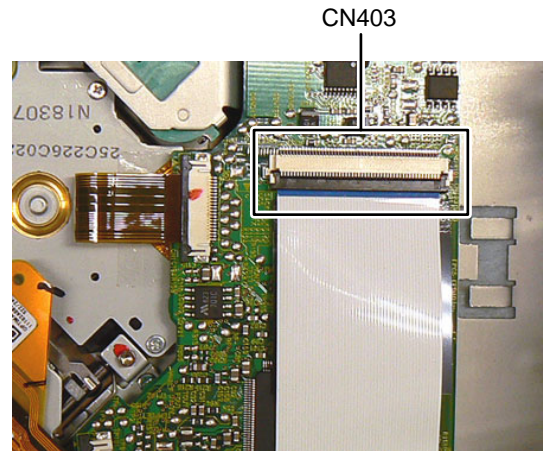


Fig.6

REFERENCE: Screw E, F and G are attaching and can take off the main board.

3.1.5 Removing the DVD mechanism (See Fig.7)

- (1) Remove the three screws **J** attaching the DVD mechanism.

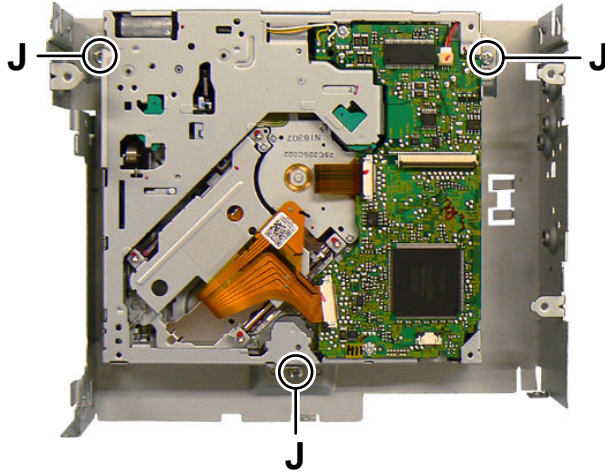


Fig.7

3.1.6 Removing the Switch board (See Fig.8)

- (1) Remove the Volume knob.
- (2) Remove the four screws **K** attaching the Rear cover.
- (3) Disengage eleven hooks **c** engaged Rear cover.

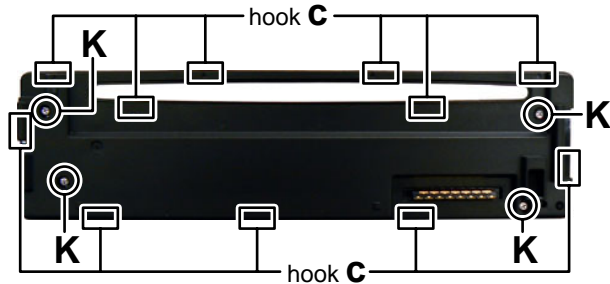


Fig.8

3.2 DVD mechanism assembly section

3.2.1 Removing the Traverse mechanism assembly (See Fig.1 to 6)

- (1) Solder the short land section on the flexible wire of pickup. (See Fig.1)

Caution:

* Solder the short land section on the flexible wire of pickup before disconnecting the flexible wire from the connector **CN101** on the Front end board.

If the flexible wire is disconnected without attaching the solder, the pickup may be destroyed by static electricity.

* When attaching the Traverse mechanism assembly, remove the solder from the short land section after connection the flexible wire to the connector **CN101** on the Front end board.

- (2) Voltage supply to **TP79** and **TP81** approx DC 3.0V until Clamper is shift to loading complete position. (See Fig.2)
- (3) Disconnect the flexible wires from Traverse mechanism assembly connected to connector **CN101** and **CN164** of the Front end board. (See Fig.2)
- (4) Remove the five screws **A** attaching the Top cover assembly. (See Fig.3)
- (5) From the bottom side, disconnect the connector wire from Top cover assembly connected to connector **CN2** of the Front end board. (See Fig.4)
- (6) From the bottom side, remove the spring from Traverse mechanism assembly. (See Fig.5)
- (7) From the top side, pull up the traverse mechanism and disengage three dumper positions. (See Fig.6)

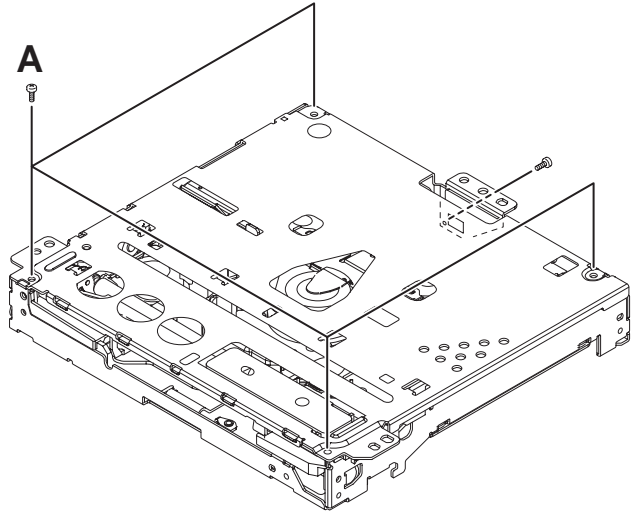


Fig.3

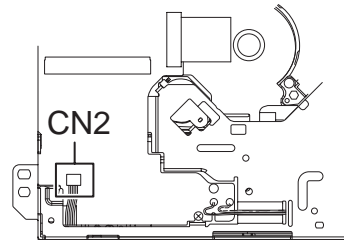


Fig.4

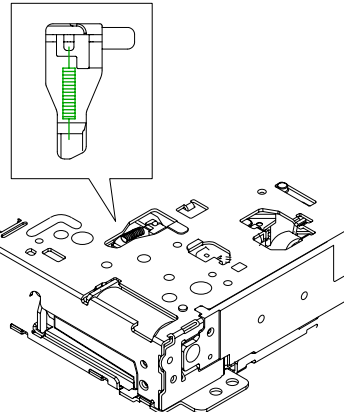


Fig.5

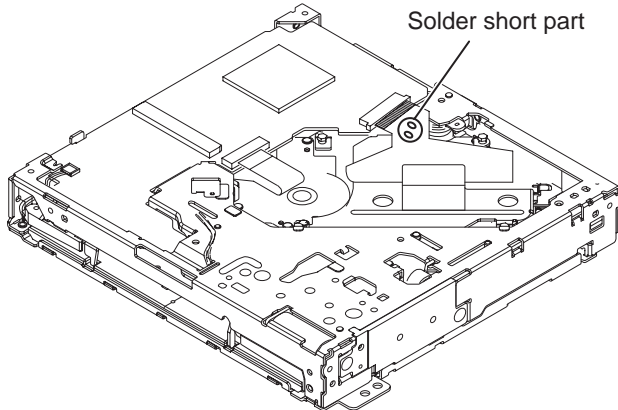


Fig.1

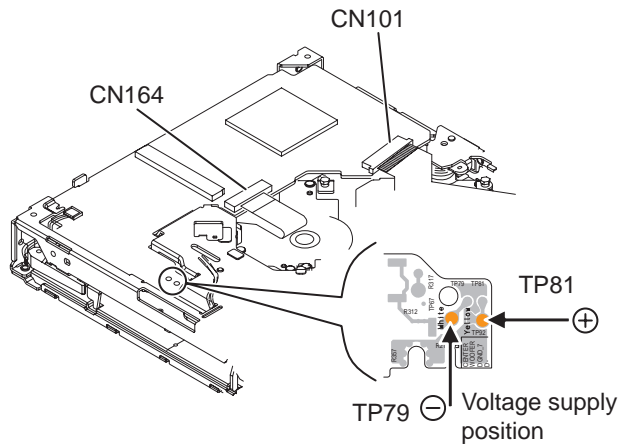


Fig.2

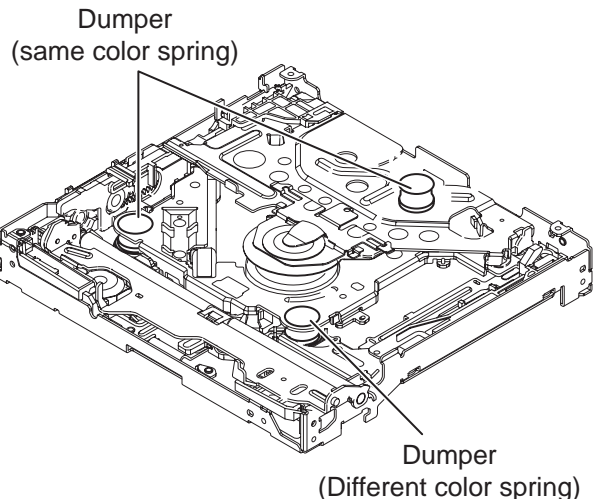


Fig.6

3.2.2 Removing the Front end board (See Fig.7)

- (1) Remove the Motor wires from loading motor soldered to [TP79](#) and [TP81](#) of the Front end board.
- (2) Remove the two screws **B** attaching the Front end board.

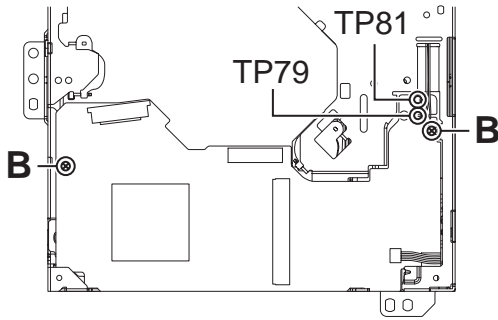


Fig.7

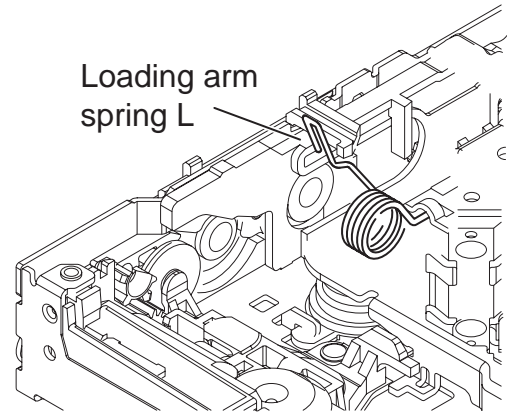
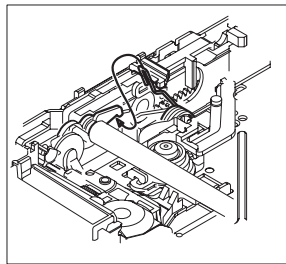
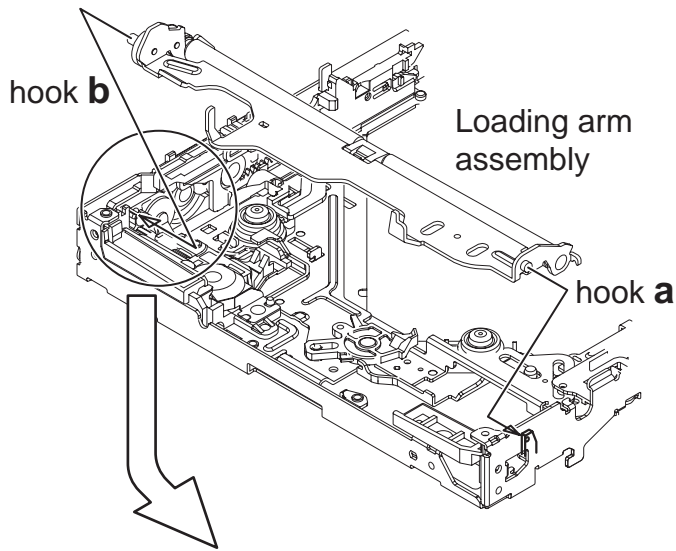


Fig.9

3.2.3 Removing the Loading arm assembly (See Fig.8)

- (1) Remove the Loading arm spring L from Loading arm assembly.
- (2) Slide to left side and then disengage hook **a** then hook **b**.



Loading arm spring L

Fig.8

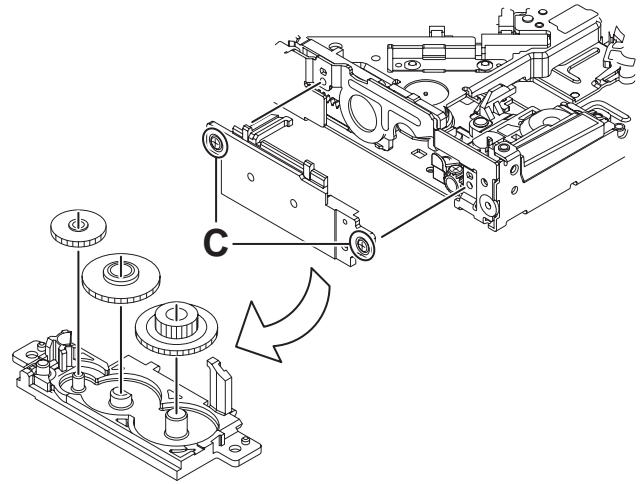


Fig.10

3.2.5 Removing the Loading arm holder. (See Fig.11)

- (1) Remove the two screws **D** attaching the Loading arm holder.
- (2) Remove the Loading arm spring R.

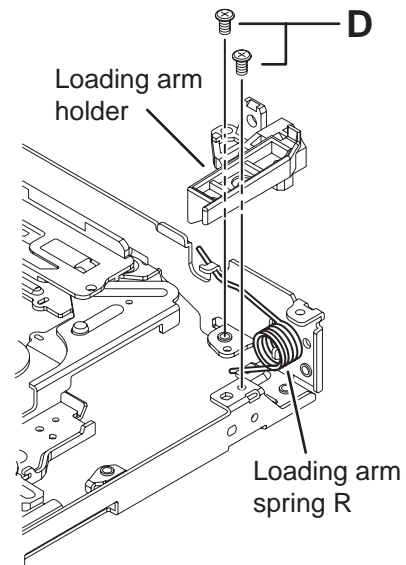


Fig.11

3.2.4 Removing the Gear base assembly (See Fig.9, 10)

- (1) Remove the Loading arm spring L. (See Fig.9)
- (2) Remove the two screws **C** attaching the Gear base assembly. (See Fig.10)

3.2.6 Removing the Loading motor assembly (See Fig.12)

- (1) Remove the three screws **E** attaching the Loading motor assembly.

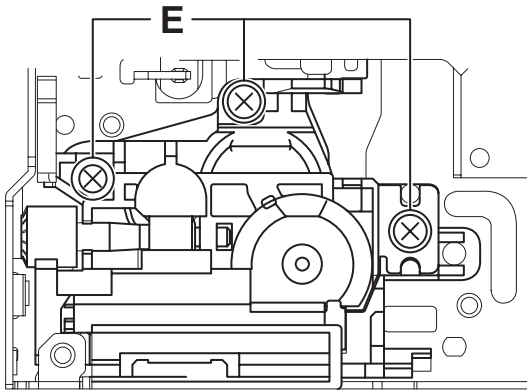


Fig.12

3.2.7 Removing the Slide cam assembly (See Fig.13)

- (1) Slide to backward the Slide cam assembly and then remove the Slide cam spring.
- (2) Slide to frontward the slide cam assembly, and then take out it.

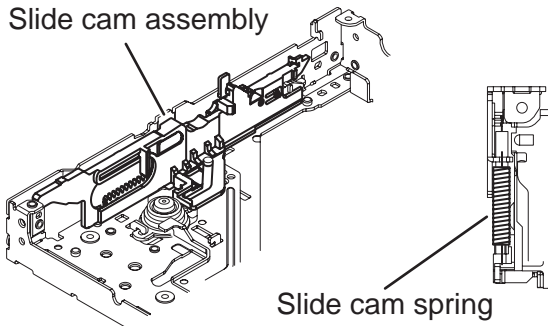


Fig.13

3.2.8 Removing the Photo board (See Fig.14)

- (1) Pressing the hook **C** and then slide to backward (slide to the arrow side) the Disc plate.
- (2) Remove the one screw **F** attaching the Photo board.

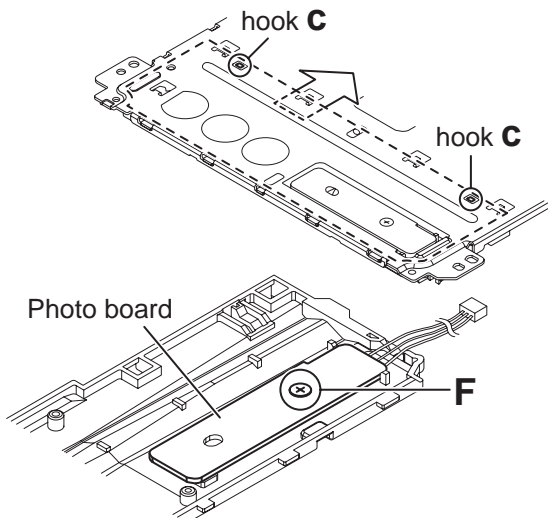


Fig.14

3.2.9 Removing the Loading motor (See Fig.15 to 18)

- (1) Remove the A wheel gear. (See Fig.15)
- (2) Remove the A worm gear, M connect gear and M wheel gear by sequentially. (See Fig.16)
- (3) Remove the two screws **G** attaching the Loading motor. (See Fig.17)
- (4) When attaching the Loading motor, motor wire should arrange to figure. (See Fig.18)

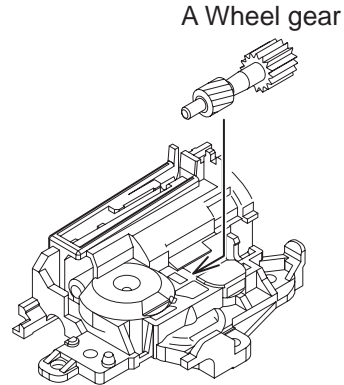


Fig.15

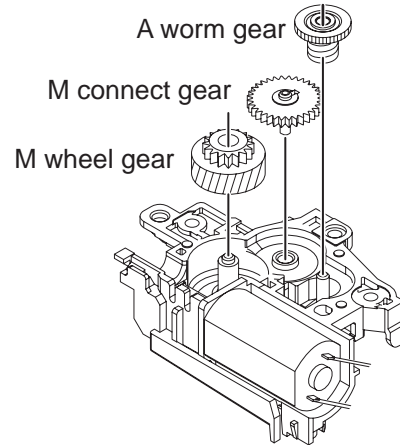


Fig.16

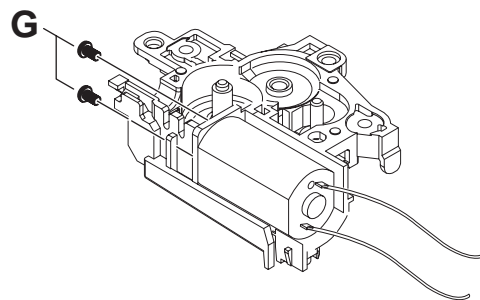


Fig.17

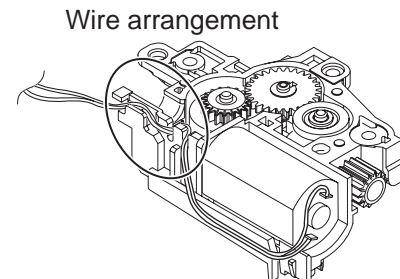


Fig.18

3.2.10 Removing the Roller assembly (See Fig.19)

- (1) Remove the Slit washer.
- (2) Remove the R middle gear.
- (3) Remove the R connect gear.
- (4) Snap off the part **a** of the Roller assembly.
- (5) Lift up the part **b** of the Roller assembly, and then release part **c** (When release part **c**, R collar R is easy to come off, does not lose it).

CAUTION:

When reattach the Roller assembly, Middle gear should keep direction and Slit washer should be change new part.

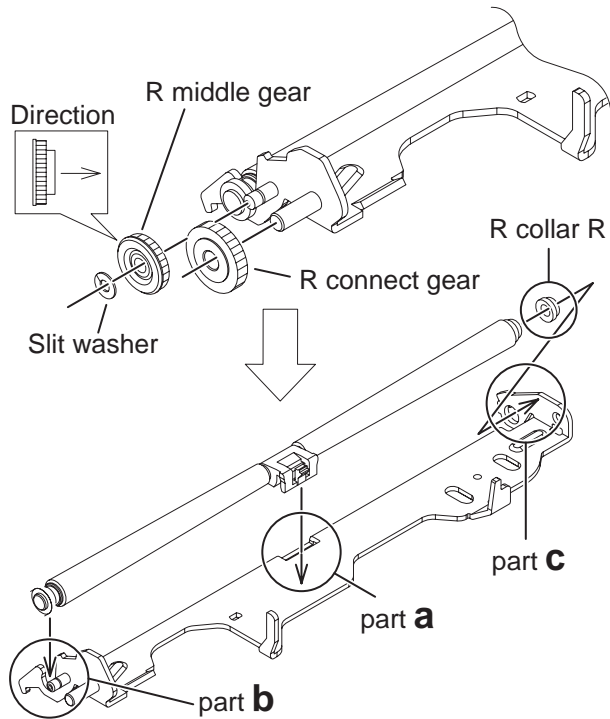


Fig.19

3.2.11 Removing the Roller (See Fig.20)

- (1) Remove the Slit washer.
- (2) Pull out the Roller shaft.

CAUTION:

When reattach the Roller shaft, Slit washer should be change new part.

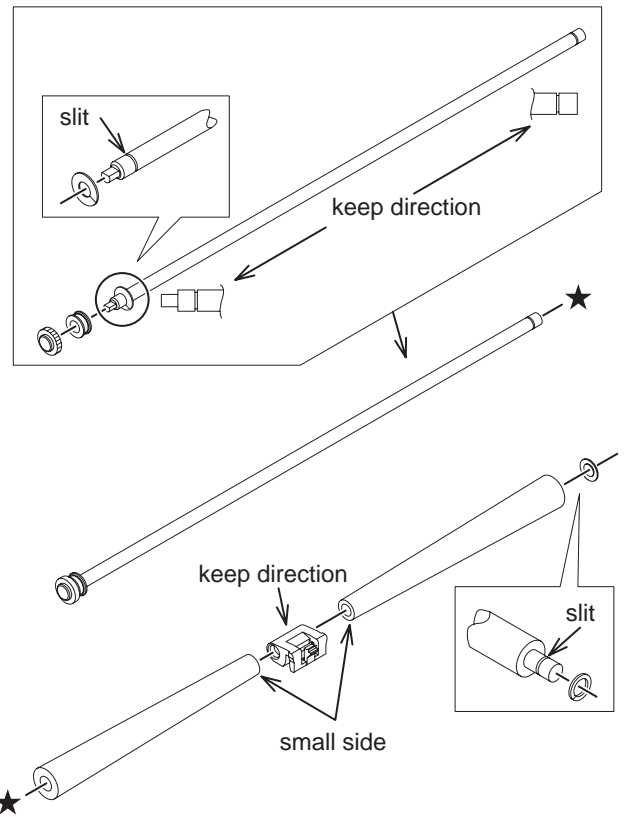


Fig.20

SECTION 4 ADJUSTMENT

4.1 Test instruments required for adjustment

- (1) Digital oscilloscope (100MHz)
- (2) Jitter meter
- (3) Digital tester
- (4) Electric voltmeter
- (5) Tracking offset meter
- (6) Test Disc : VT501 or VT502
- (7) Extension studs : STDV001-3P
- (8) Extension cable : EXTAV70X-50PF

4.2 Standard measuring conditions

Power supply voltage DC14.4V(11V to 16V)
Load impedance 4 Ω (2 Speakers connection)
Line output 20k Ω

Caution:

Be sure to attach the heat sink and rear bracket onto the power amplifier IC and regulator IC respectively, before supply the power.

If voltage is applied without attaching these parts, the power amplifier IC and regulator IC will be destroyed by heat.

4.3 Connection method

Connection procedure

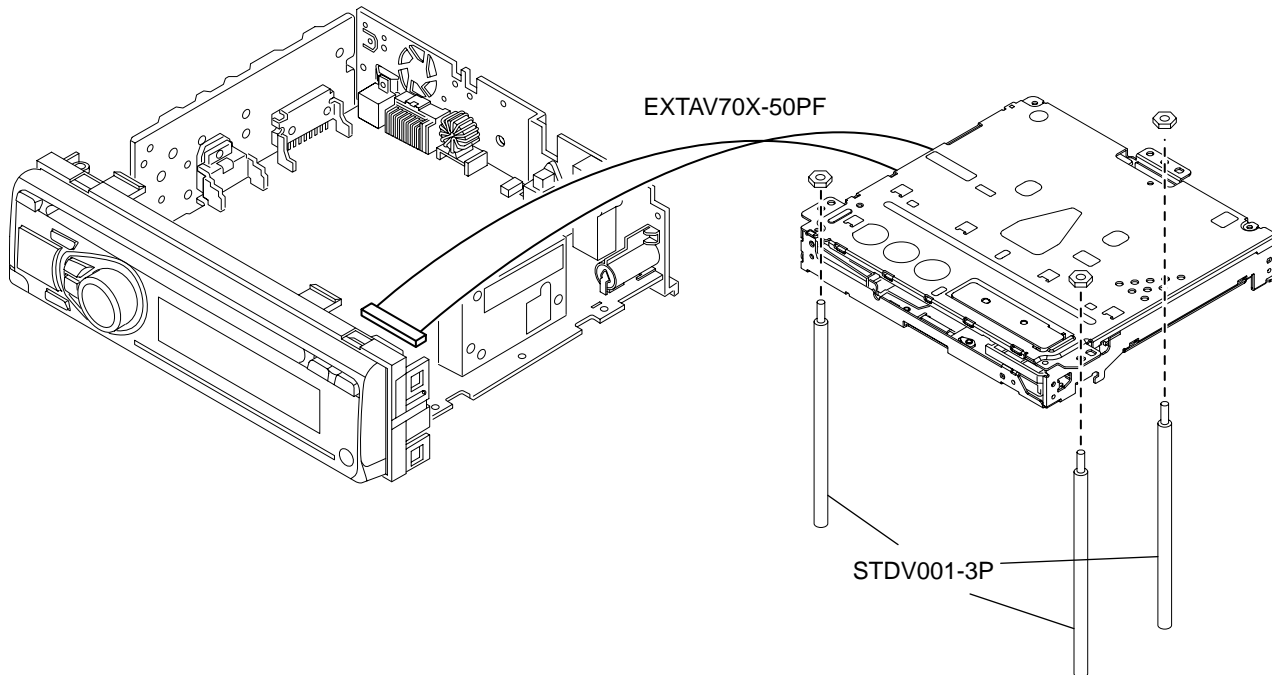
Attach the front chassis assembly to the main board.

Connect the front panel assembly to the main board.

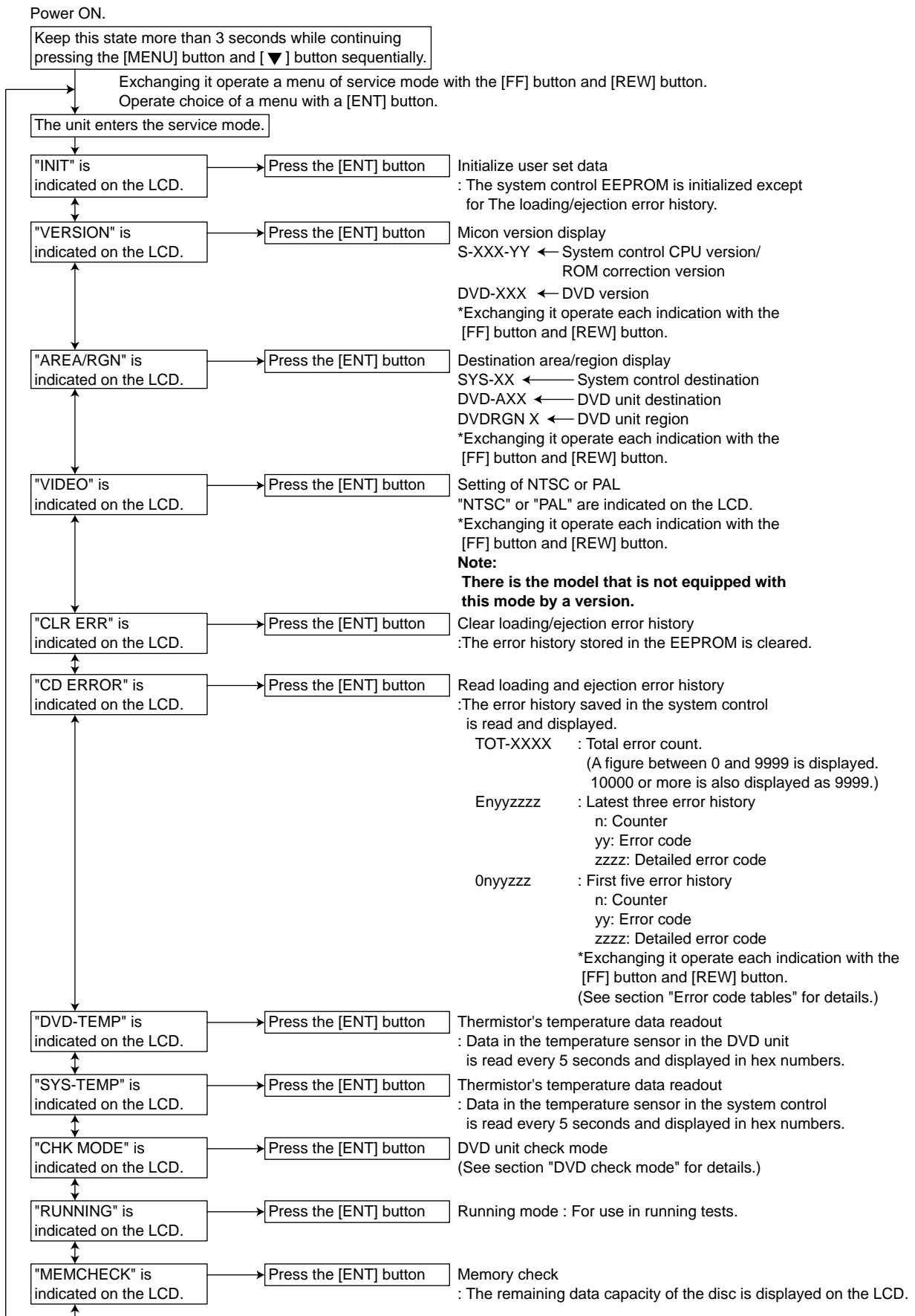
Attach the heat sink and rear bracket to the main board.

Attach the extension studs to the DVD mechanism assembly.

Connect the DVD mechanism assembly and the main board with a extension cable.



4.4 Service mode



4.5 Error code tables

4.5.1 Mechanism error code

Error contents	Details	Error code	Detailed error code
Disc loading error (1)D1 time out		09	0013
Eject error (1)B1 time out (2)C1 time out		01 01	0023 0024
Error in loading wait	Loading of a running mode Disc was pulled out in a wait.	09	0031

4.5.2 Disc error code

Error contents	Details	Error code	Detailed error code
TOC read error	TOC read movement of a CD is not completed.	84	0059
First track access error	Even if TOC reading passes after the end with CD running mode for 30 seconds, the first track access is not finished.	80	0060
Last track access error	Even if first track passes after the end with CD running mode for 30 seconds, the last track access is not finished.	80	0061
T1 access error	Even if T1 access passes in a DVD running mode for 30 seconds, it is not finished.	80	0069
T12 access error	Even if T12 access passes in a DVD running mode for 30 seconds, it is not finished.	80	0070
T24 access error	Even if T24 access passes in a DVD running mode for 30 seconds, it is not finished.	80	0071
Read-in area read error	Read-in area read operation of DVD is not completed.	84	0072
DVD L1 layer adjustment error	Adjustment of L1 layer of DVD is not finished normally. (including focus jump failure)	80	0074
DVD L0 layer adjustment error	Adjustment of L0 layer of DVD is not finished normally. (including focus jump failure)	80	0075
NO DISC judgment	Judgment without disc.	80	0090
It is NO DISC by start failure	Start is impossible	80	0091
It is stopped by playback inability	Stop in running mode playback	80	0093
Logic format NG	Logic format analysis inability or non-correspondence logic format	80	0094
Seek access error	It cannot arrive at an aim address even if it passes for 15 seconds.	80	0095

4.6 DVD check mode

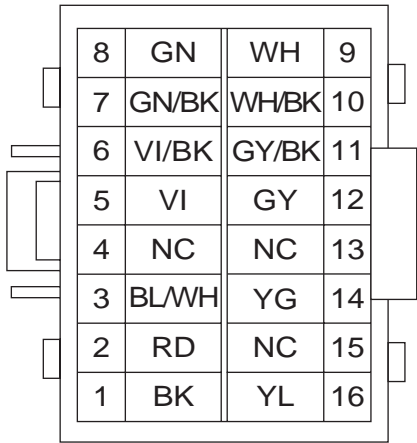
Change LCD indication with a [FF] button and a [REW] button.

Operate choice of a menu with a [ENT] button.

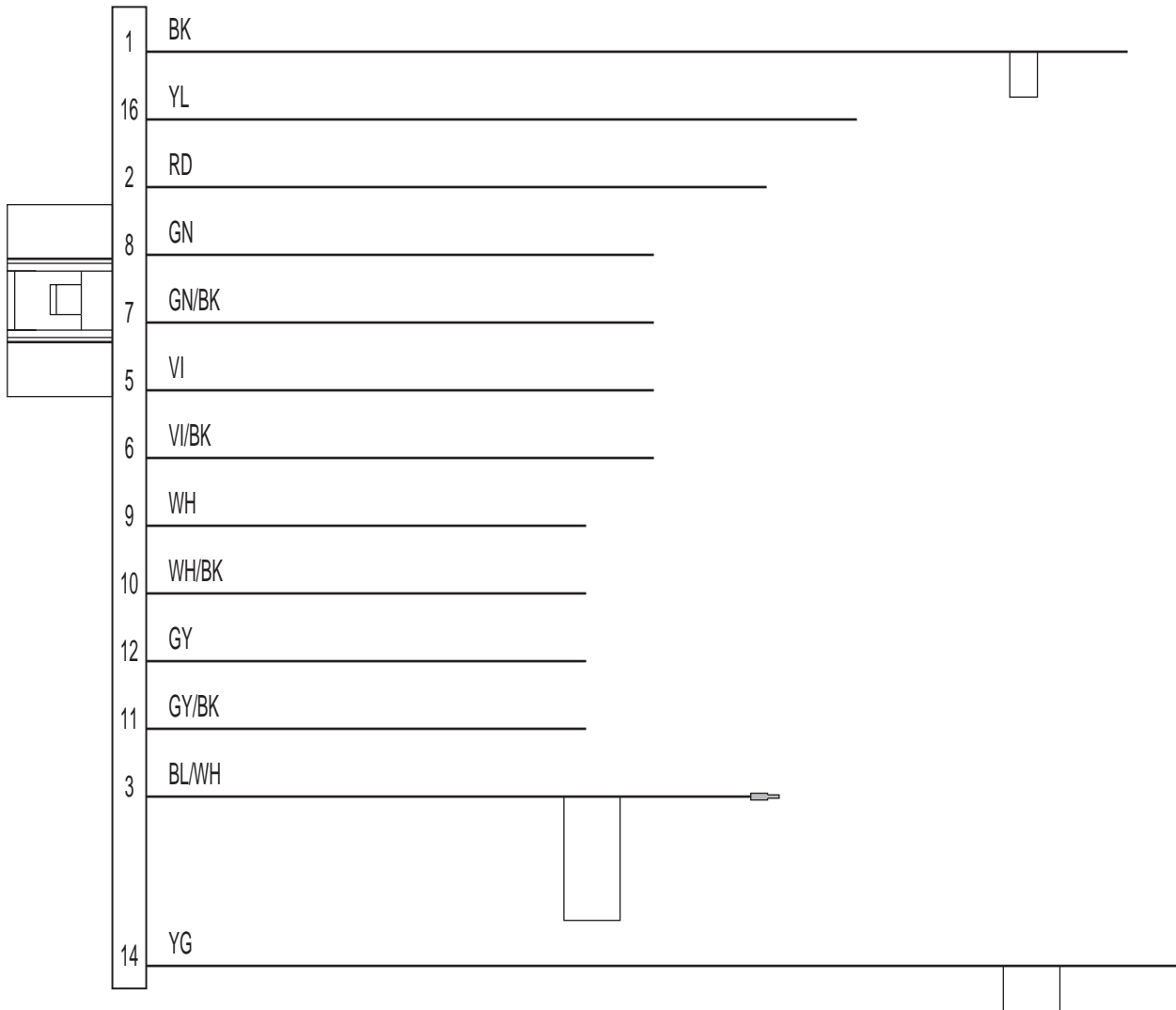
LCD indication	DVD unit operation	Example of LCD indication	Indication contents
TEST-1	Start at normal speed (After start, it is measured JITTER on the internal position)	NORMPLAY CUR **** JIT ****	Laser current value Jitter value
TEST-2	Tracking off on The outermost position of CD	EF-BAL OUTROFF	For EF phase error
TEST-3	Tracking off on The innermost position of CD	EF-BAL INNTROFF	For EF phase error
TEST-4	CD_LD lights and laser current is displayed	CDLD ON CUR **** JIT ****	Laser current value Jitter value
TEST-5	DVD_LD lights and laser current is displayed	DVDLD ON CUR **** JIT ****	Laser current value Jitter value
TEST-6	DVD ×1 jitter measuring mode (for use in mechanism measurement)	DVD×1JIT CUR **** JIT ****	Laser current value Jitter value
TEST-7	Indication of EEPROM contents	ROM DATA ADDR **** DATA ****	EEPROM address EEPROM contents
TEST-8	Indication of EEPROM contents	ROM DATA ADDR **** DATA ****	EEPROM address EEPROM contents
TEST-9	Initialization of EEPROM contents	ROMCLEAR	
TEST-10	Indication of temperature	TEMP TEMP ****	Temperature
TEST-11	Search & jitter measurement to an appointed position of DVD	DVD JIT PLC **** JIT ****	(Position measured with VT-501 jitter value)
TEST-12	Setting of MONITOR terminal	MONITOR M1 **** M2 ****	
TEST-13	DVD ×1 double speed start (After start, it is measured JITTER on the internal position)	×1PLAY CUR **** JIT ****	Laser current value Jitter value
[DISC DW ▼]	Disc stopped & LD-OFF	STOP	
[EJECT]	EJECT	OPEN	

SECTION 5 TROUBLESHOOTING

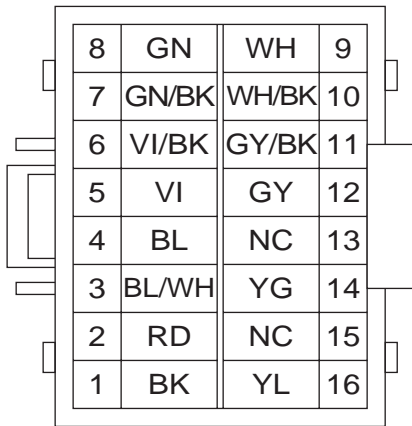
5.1 16 PIN CORD DIAGRAM (for KD-ADV5580, KD-DV5500)



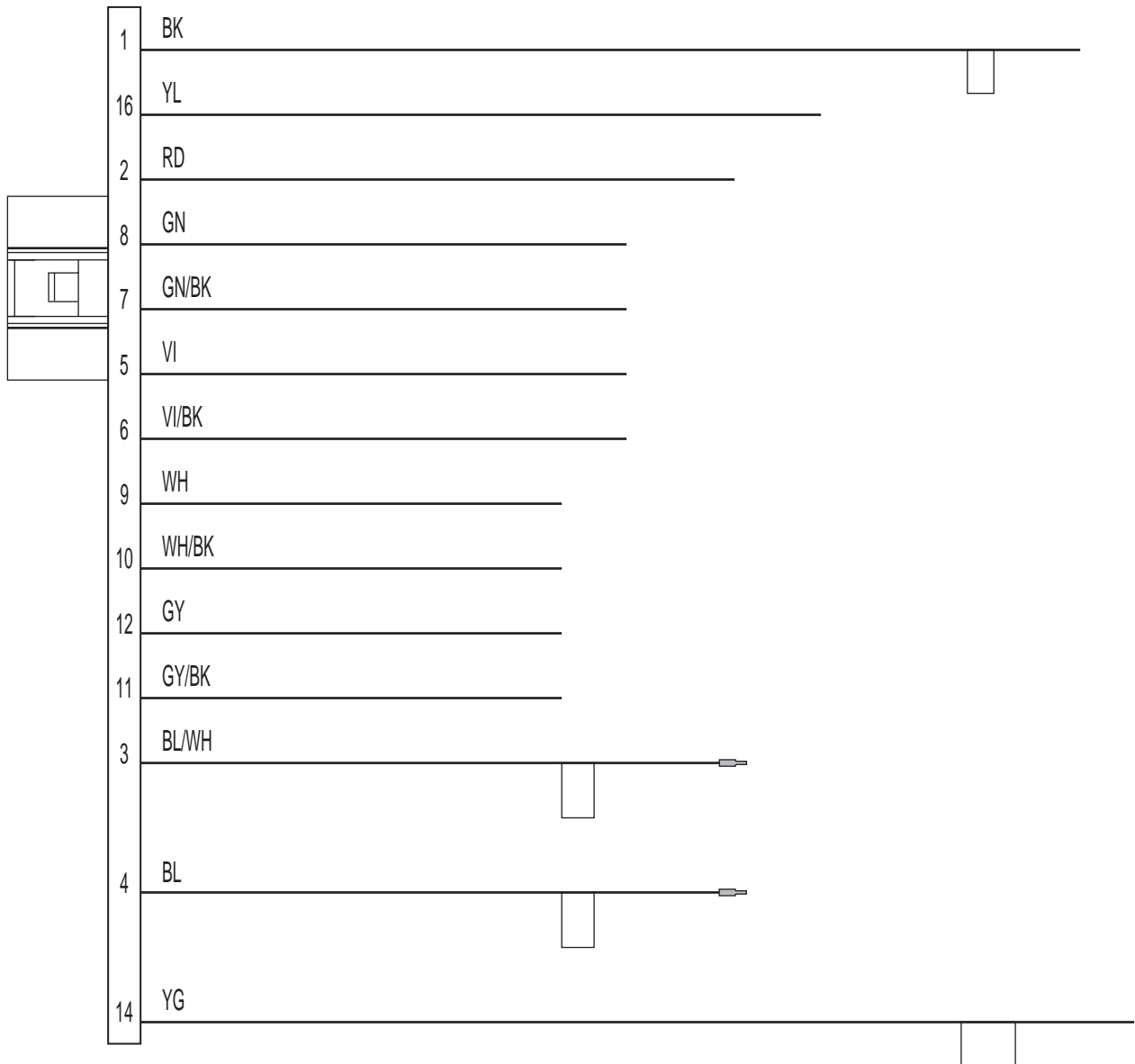
BK	Black	GN	Green
RD	Red	GY	Gray
BL	Blue	YG	Yellow Green
WH	White	YL	Yellow
VI	Violet		



5.2 16 PIN CORD DIAGRAM (for KD-DV4504, KD-DV4505, KD-DV4506, KD-DV4588)



BK	Black	GN	Green
RD	Red	GY	Gray
BL	Blue	YG	Yellow Green
WH	White	YL	Yellow
VI	Violet		





JVC

Victor Company of Japan, Limited
Mobile Entertainment Division 10-1,1chome,Ohwatari-machi,Maebashi-city,371-8543,Japan

(No.MA437<Rev.003>)

Printed in Japan
VSE



REVISION INFORMATION

DVD/CD RECEIVER

**KD-ADV5580J, KD-DV5500J, KD-DV4504UI,
KD-DV4505U, KD-DV4505UN, KD-DV4505UT,
KD-DV4505A, KD-DV4506U, KD-DV4506UN,
KD-DV4506UT, KD-DV4506A, KD-DV4588UF,
KD-DV4505UH, KD-DV4506UH**

■ OVERVIEW

Add KD-DV4505UH and KD-DV4506UH.

■ DETAILS

COVER SECTION

Title	Line	No.MA437<Rev.001>	No.MA437<Rev.002>	Description
Revision		Rev. 001	Rev. 002	
Issue Date		2009/01	2009/08	
Model No.		KD-ADV5580J, KD-DV4504UI, KD-DV4505A, KD-DV4505U, KD-DV4505UN, KD-DV4505UT, KD-DV4506A, KD-DV4506U, KD-DV4506UN, KD-DV4506UT, KD-DV4588UF, KD-DV5500J	KD-ADV5580J, KD-DV4504UI, KD-DV4505A, KD-DV4505U, KD-DV4505UH , KD-DV4505UN, KD-DV4505UT, KD-DV4506A, KD-DV4506U, KD-DV4506UH , KD-DV4506UN, KD-DV4506UT, KD-DV4588UF, KD-DV5500J	

SECTION 2 SPECIFIC SERVICE INSTRUCTIONS

Title	Line	No.MA437<Rev.001>	No.MA437<Rev.002>	Description
2 SPECIFIC SERVICE INSTRUCTIONS	1	This service manual does not describe SPECIFIC SERVICE INSTRUCTIONS.	-	
2.1 Identification method	T	-	2.1 Identification method	
	1	-	Supported reduction in cost, and board contents was changed.A set put the following label on is an object.	
	2	-	ILLUSTRATION(ma437_2001.png)	

STANDARD SCHEMATIC DIAGRAMS

Schematic Diagram

Diagram Name	No.MA437<Rev.001>	No.MA437<Rev.002>	Description
Menu	Main section	Old Main section (Except DV4505/4506UH)	
Menu	-	Main section (Common) ma437_s005.svgz	

Printed Circuit Board

Diagram Name	No.MA437<Rev.001>	No.MA437<Rev.002>	Description
Menu	Main Board	Old Main Board (Except DV4505/4506UH)	
Menu	-	Main Board (Common) ma437_p005.svgz	

Description of Major ICs

Diagram Name	No.MA437<Rev.001>	No.MA437<Rev.002>	Description
Menu	IC1: TEF6606T/V3-X	IC1: TEF6606T/V5-X	

PARTS LIST

MODEL No. LIST

Model No.	No.MA437<Rev.002>
KD-ADV5580J	01
KD-DV4504UI	03
KD-DV4505A	07
KD-DV4505U	04
KD-DV4505UH	0D

Model No.	No.MA437<Rev.002>
KD-DV4505UN	05
KD-DV4505UT	06
KD-DV4506A	0B
KD-DV4506U	08
KD-DV4506UH	0E

Model No.	No.MA437<Rev.002>
KD-DV4506UN	09
KD-DV4506UT	0A
KD-DV4588UF	0C
KD-DV5500J	02

General assembly [M1MM]

Δ	Symbol	or	Part No.		Part Name	Description	Qty	Models
			<Rev.001>	<Rev.002>				
	M1MM	11	-----	GE10242-005A	FRONT CHASSIS	(Addition)	1	0D,0E
	M1MM	38	-----	GE32926-002A	INSULATOR	(Addition)	1	0D,0E
	M1MM	56	-----	LV45386-001A	R2 INDICATION	(Addition)	1	01,02,03,04,05,06,07,08,09,0A,0B,0C,0D,0E

Switch board [02]

Δ	Symbol	or	Part No.		Part Name	Description	Qty	Models
			<Rev.001>	<Rev.002>				
	02	R654	-----	NRSA63J-511X	MG RESISTOR	(Addition)	1	0D,0E

Main board common [04]

Δ	Symbol	or	Part No.		Part Name	Description	Qty	Models
			<Rev.001>	<Rev.002>				
Δ	04	IC1	-----	TEF6606T/V5-X	IC	(Addition)	1	01,02,03,04,05,06,07,08,09,0A,0B,0C,0D,0E
	04	IC161	-----	BD3700FV-X	IC	(Addition)	1	01,02,03,04,05,06,07,08,09,0A,0B,0C,0D,0E
Δ	04	IC301	-----	TB2926CHQ	IC	(Addition)	1	01,02,03,04,05,06,07,08,09,0A,0B,0C,0D,0E
	04	IC361	-----	NJM2160BV-X	IC	(Addition)	1	01
	04	IC402	-----	TOTX177L	OPT TRANSMITTER	(Addition)	1	01,02,03,04,05,06,07,08,09,0A,0B,0C,0D,0E
	04	IC411	-----	MM1510XN-X	IC	(Addition)	1	01,02,03,04,05,06,07,08,09,0A,0B,0C,0D,0E
	04	IC471	-----	NJM4565E-X	IC	(Addition)	1	01,02,03,04,05,06,07,08,09,0A,0B,0C,0D,0E
Δ	04	IC721	-----	JES1552	IC	(Addition)	1	01,02,03,04,05,06,07,08,09,0A,0B,0C,0D,0E
	04	IC801	-----	SN74AHCT126PW-X	IC(DIGITAL)	(Addition)	1	01,02,03,04,05,06,07,08,09,0A,0B,0C,0D,0E
Δ	04	IC911	-----	R2S25400DS-E	IC	(Addition)	1	01,02,03,04,05,06,07,08,09,0A,0B,0C,0D,0E

△	Symbol	or	Part No.		Part Name	Description	Qty	Models	
			<Rev.001>	<Rev.002>					
△	04	IC922	-----	LV5749V-X	IC	(Addition)	1	01,02,03,04,05,06,07,08,09,0A,0B,0C,0D,0E	
	04	IC952	-----	NJM2878F4-33-X	IC	(Addition)	1	01,02,03,04,05,06,07,08,09,0A,0B,0C,0D,0E	
	04	Q301	-----	2SC1623A/5-6/-X	TRANSISTOR	(Addition)	1	01,02,03,04,05,06,07,08,09,0A,0B,0C,0D,0E	
	04	Q301	or	-----	2SC3928A/QR/-X	TRANSISTOR	(Addition)	1	01,02,03,04,05,06,07,08,09,0A,0B,0C,0D,0E
	04	Q321	-----	IMX9-W	PAIR TRANSISTOR	(Addition)	1	01,02,03,04,05,06,07,08,09,0A,0B,0C,0D,0E	
	04	Q701	-----	RT1N141C-X	DIGI TRANSISTOR	(Addition)	1	01,02,03,04,05,06,07,08,09,0A,0B,0C,0D,0E	
	04	Q701	or	-----	UN2211-X	TRANSISTOR	(Addition)	1	01,02,03,04,05,06,07,08,09,0A,0B,0C,0D,0E
	04	Q702	-----	RT1P141C-X	DIGI TRANSISTOR	(Addition)	1	01,02,03,04,05,06,07,08,09,0A,0B,0C,0D,0E	
	04	Q702	or	-----	UN2111-X	TRANSISTOR	(Addition)	1	01,02,03,04,05,06,07,08,09,0A,0B,0C,0D,0E
	04	Q703	-----	RT1N141C-X	DIGI TRANSISTOR	(Addition)	1	01,02,03,04,05,06,07,08,09,0A,0B,0C,0D,0E	
	04	Q703	or	-----	UN2211-X	TRANSISTOR	(Addition)	1	01,02,03,04,05,06,07,08,09,0A,0B,0C,0D,0E
	04	Q704	-----	RT1P141C-X	DIGI TRANSISTOR	(Addition)	1	01,02,03,04,05,06,07,08,09,0A,0B,0C,0D,0E	
	04	Q704	or	-----	UN2111-X	TRANSISTOR	(Addition)	1	01,02,03,04,05,06,07,08,09,0A,0B,0C,0D,0E
	04	Q851	-----	2SB1132/QR/-W	TRANSISTOR	(Addition)	1	03,04,05,06,07,08,09,0A,0B,0C,0D,0E	
	04	Q852	-----	RT1N141C-X	DIGI TRANSISTOR	(Addition)	1	03,04,05,06,07,08,09,0A,0B,0C,0D,0E	
	04	Q852	or	-----	UN2211-X	TRANSISTOR	(Addition)	1	03,04,05,06,07,08,09,0A,0B,0C,0D,0E
	04	Q861	-----	RT1P141C-X	DIGI TRANSISTOR	(Addition)	1	01,02,03,04,05,06,07,08,09,0A,0B,0C,0D,0E	
	04	Q861	or	-----	UN2111-X	TRANSISTOR	(Addition)	1	01,02,03,04,05,06,07,08,09,0A,0B,0C,0D,0E
	04	Q862	-----	RT1P141C-X	DIGI TRANSISTOR	(Addition)	1	01,02,03,04,05,06,07,08,09,0A,0B,0C,0D,0E	
	04	Q862	or	-----	UN2111-X	TRANSISTOR	(Addition)	1	01,02,03,04,05,06,07,08,09,0A,0B,0C,0D,0E
	04	Q885	-----	RT1N141C-X	DIGI TRANSISTOR	(Addition)	1	01,02,03,04,05,06,07,08,09,0A,0B,0C,0D,0E	
	04	Q885	or	-----	UN2211-X	TRANSISTOR	(Addition)	1	01,02,03,04,05,06,07,08,09,0A,0B,0C,0D,0E
△	04	Q921	-----	MCH6406-W	MOS TRANSISTOR	(Addition)	1	01,02,03,04,05,06,07,08,09,0A,0B,0C,0D,0E	
△	04	Q922	-----	MCH6406-W	MOS TRANSISTOR	(Addition)	1	01,02,03,04,05,06,07,08,09,0A,0B,0C,0D,0E	
	04	Q951	-----	RT1P441C-X	DIGI TRANSISTOR	(Addition)	1	01,02,03,04,05,06,07,08,09,0A,0B,0C,0D,0E	
	04	Q951	or	-----	UN2113-X	TRANSISTOR	(Addition)	1	01,02,03,04,05,06,07,08,09,0A,0B,0C,0D,0E
	04	Q952	-----	RT1N441C-X	TRANSISTOR	(Addition)	1	01,02,03,04,05,06,07,08,09,0A,0B,0C,0D,0E	
	04	Q952	or	-----	UN2213-X	DIGI TRANSISTOR	(Addition)	1	01,02,03,04,05,06,07,08,09,0A,0B,0C,0D,0E
	04	Q976	-----	RT1N441C-X	TRANSISTOR	(Addition)	1	01,02,03,04,05,06,07,08,09,0A,0B,0C,0D,0E	
	04	Q976	or	-----	UN2213-X	DIGI TRANSISTOR	(Addition)	1	01,02,03,04,05,06,07,08,09,0A,0B,0C,0D,0E
	04	Q977	-----	2SA812A/5-6/-X	TRANSISTOR	(Addition)	1	01,02,03,04,05,06,07,08,09,0A,0B,0C,0D,0E	
	04	Q977	or	-----	ISA1530AC1/QR/X	TRANSISTOR	(Addition)	1	01,02,03,04,05,06,07,08,09,0A,0B,0C,0D,0E
	04	D302	-----	1SS355W-X	DIODE	(Addition)	1	01,02,03,04,05,06,07,08,09,0A,0B,0C,0D,0E	
	04	D302	or	-----	MA111-X	SI DIODE	(Addition)	1	01,02,03,04,05,06,07,08,09,0A,0B,0C,0D,0E
	04	D322	-----	MC2836-X	DIODE	(Addition)	1	01,02,03,04,05,06,07,08,09,0A,0B,0C,0D,0E	
	04	D322	or	-----	MA152WA-X	DIODE	(Addition)	1	01,02,03,04,05,06,07,08,09,0A,0B,0C,0D,0E

△	Symbol	or	Part No.		Part Name	Description	Qty	Models	
			<Rev.001>	<Rev.002>					
	04	D701	-----	UDZW6.2B-X	Z DIODE	(Addition)	1	01,02,03,04,05,06,07,08,09,0A,0B,0C,0D,0E	
	04	D701	or	-----	MA8062/M/-X	Z DIODE	(Addition)	1	01,02,03,04,05,06,07,08,09,0A,0B,0C,0D,0E
	04	D702	-----	UDZW6.2B-X	Z DIODE	(Addition)	1	01,02,03,04,05,06,07,08,09,0A,0B,0C,0D,0E	
	04	D702	or	-----	MA8062/M/-X	Z DIODE	(Addition)	1	01,02,03,04,05,06,07,08,09,0A,0B,0C,0D,0E
	04	D703	-----	UDZW6.2B-X	Z DIODE	(Addition)	1	01,02,03,04,05,06,07,08,09,0A,0B,0C,0D,0E	
	04	D703	or	-----	MA8062/M/-X	Z DIODE	(Addition)	1	01,02,03,04,05,06,07,08,09,0A,0B,0C,0D,0E
	04	D704	-----	UDZW6.2B-X	Z DIODE	(Addition)	1	01,02,03,04,05,06,07,08,09,0A,0B,0C,0D,0E	
	04	D704	or	-----	MA8062/M/-X	Z DIODE	(Addition)	1	01,02,03,04,05,06,07,08,09,0A,0B,0C,0D,0E
	04	D711	-----	UDZW6.2B-X	Z DIODE	(Addition)	1	01	
	04	D711	or	-----	MA8062/M/-X	Z DIODE	(Addition)	1	01
	04	D851	-----	MA22D23-X	SB DIODE	(Addition)	1	03,04,05,06,07,08,09,0A,0B,0C,0D,0E	
	04	D851	or	-----	RB160M-30-X	SB DIODE	(Addition)	1	03,04,05,06,07,08,09,0A,0B,0C,0D,0E
	04	D852	-----	MA22D39-X	SB DIODE	(Addition)	1	03,04,05,06,07,08,09,0A,0B,0C,0D,0E	
	04	D861	-----	1SS355W-X	DIODE	(Addition)	1	01,02,03,04,05,06,07,08,09,0A,0B,0C,0D,0E	
	04	D861	or	-----	MA111-X	SI DIODE	(Addition)	1	01,02,03,04,05,06,07,08,09,0A,0B,0C,0D,0E
	04	D862	-----	1SS355W-X	DIODE	(Addition)	1	01,02,03,04,05,06,07,08,09,0A,0B,0C,0D,0E	
	04	D862	or	-----	MA111-X	SI DIODE	(Addition)	1	01,02,03,04,05,06,07,08,09,0A,0B,0C,0D,0E
	04	D863	-----	UDZW11B-X	Z DIODE	(Addition)	1	01,02,03,04,05,06,07,08,09,0A,0B,0C,0D,0E	
	04	D863	or	-----	MA8110/M/-X	Z DIODE	(Addition)	1	01,02,03,04,05,06,07,08,09,0A,0B,0C,0D,0E
	04	D885	-----	1SS355W-X	DIODE	(Addition)	1	01,02,03,04,05,06,07,08,09,0A,0B,0C,0D,0E	
	04	D885	or	-----	MA111-X	SI DIODE	(Addition)	1	01,02,03,04,05,06,07,08,09,0A,0B,0C,0D,0E
	04	D901	-----	1N5401-F64	SI DIODE	(Addition)	1	01,02,03,04,05,06,07,08,09,0A,0B,0C,0D,0E	
	04	D901	or	-----	1N5401-TU-15	SI DIODE	(Addition)	1	01,02,03,04,05,06,07,08,09,0A,0B,0C,0D,0E
	04	D911	-----	1SS355W-X	DIODE	(Addition)	1	01,02,03,04,05,06,07,08,09,0A,0B,0C,0D,0E	
	04	D911	or	-----	MA111-X	SI DIODE	(Addition)	1	01,02,03,04,05,06,07,08,09,0A,0B,0C,0D,0E
	04	D922	-----	MA22D23-X	SB DIODE	(Addition)	1	01,02,03,04,05,06,07,08,09,0A,0B,0C,0D,0E	
	04	D922	or	-----	RB160M-30-X	SB DIODE	(Addition)	1	01,02,03,04,05,06,07,08,09,0A,0B,0C,0D,0E
	04	D974	-----	UDZW5.1B-X	SB DIODE	(Addition)	1	01,02,03,04,05,06,07,08,09,0A,0B,0C,0D,0E	
	04	D974	or	-----	MA8051/M/-X	Z DIODE	(Addition)	1	01,02,03,04,05,06,07,08,09,0A,0B,0C,0D,0E
	04	D981	-----	MA22D23-X	SB DIODE	(Addition)	1	01,02,03,04,05,06,07,08,09,0A,0B,0C,0D,0E	
	04	D981	or	-----	RB160M-30-X	SB DIODE	(Addition)	1	01,02,03,04,05,06,07,08,09,0A,0B,0C,0D,0E
	04	D982	-----	MA22D39-X	SB DIODE	(Addition)	1	01,02,03,04,05,06,07,08,09,0A,0B,0C,0D,0E	
	04	C1	-----	NCB31HK-102X	C CAPACITOR	(Addition)	1	01,02,03,04,05,06,07,08,09,0A,0B,0C,0D,0E	
	04	C2	-----	NDC31HJ-7R0X	C CAPACITOR	(Addition)	1	01,02,03,04,05,06,07,08,09,0A,0B,0C,0D,0E	
	04	C3	-----	NCB31HK-102X	C CAPACITOR	(Addition)	1	01,02,03,04,05,06,07,08,09,0A,0B,0C,0D,0E	
	04	C4	-----	NCB31CK-224X	C CAPACITOR	(Addition)	1	01,02,03,04,05,06,07,08,09,0A,0B,0C,0D,0E	
	04	C5	-----	NDC31HJ-150X	C CAPACITOR	(Addition)	1	01,02,03,04,05,06,07,08,09,0A,0B,0C,0D,0E	
	04	C7	-----	NDC31HJ-220X	C CAPACITOR	(Addition)	1	01,02,03,04,05,06,07,08,09,0A,0B,0C,0D,0E	

△	Symbol	or	Part No.		Part Name	Description	Qty	Models
			<Rev.001>	<Rev.002>				
	04	C8	-----	NCBA1CK-103W	C CAPACITOR	(Addition)	1	01,02,03,04,05,06,07,08,09,0A,0B,0C,0D,0E
	04	C9	-----	NCB31CK-105X	C CAPACITOR	(Addition)	1	01,02,03,04,05,06,07,08,09,0A,0B,0C,0D,0E
	04	C10	-----	NCB31CK-105X	C CAPACITOR	(Addition)	1	01,02,03,04,05,06,07,08,09,0A,0B,0C,0D,0E
	04	C11	-----	NCBA1CK-103W	C CAPACITOR	(Addition)	1	01,02,03,04,05,06,07,08,09,0A,0B,0C,0D,0E
	04	C12	-----	NCBA1CK-103W	C CAPACITOR	(Addition)	1	01,02,03,04,05,06,07,08,09,0A,0B,0C,0D,0E
	04	C14	-----	NCB31CK-224X	C CAPACITOR	(Addition)	1	01,02,03,04,05,06,07,08,09,0A,0B,0C,0D,0E
	04	C15	-----	NCBA1AK-104W	C CAPACITOR	(Addition)	1	01,02,03,04,05,06,07,08,09,0A,0B,0C,0D,0E
	04	C16	-----	NCBA1CK-103W	C CAPACITOR	(Addition)	1	01,02,03,04,05,06,07,08,09,0A,0B,0C,0D,0E
	04	C17	-----	NCBA1AK-104W	C CAPACITOR	(Addition)	1	01,02,03,04,05,06,07,08,09,0A,0B,0C,0D,0E
	04	C18	-----	NCBA1CK-103W	C CAPACITOR	(Addition)	1	01,02,03,04,05,06,07,08,09,0A,0B,0C,0D,0E
	04	C19	-----	NCBA1AK-104W	C CAPACITOR	(Addition)	1	01,02,03,04,05,06,07,08,09,0A,0B,0C,0D,0E
	04	C20	-----	NCBA1CK-103W	C CAPACITOR	(Addition)	1	01,02,03,04,05,06,07,08,09,0A,0B,0C,0D,0E
	04	C21	-----	NCBA1AK-104W	C CAPACITOR	(Addition)	1	01,02,03,04,05,06,07,08,09,0A,0B,0C,0D,0E
	04	C22	-----	NDC31HJ-150X	C CAPACITOR	(Addition)	1	01,02,03,04,05,06,07,08,09,0A,0B,0C,0D,0E
	04	C25	-----	NCJ21CK-106X-R	C CAPACITOR	(Addition)	1	01,02,03,04,05,06,07,08,09,0A,0B,0C,0D,0E
	04	C162	-----	QTE1H64-225Z	E CAPACITOR	(Addition)	1	01,02,03,04,05,06,07,08,09,0A,0B,0C,0D,0E
	04	C167	-----	NCB21CK-105X	C CAPACITOR	(Addition)	1	01,02,03,04,05,06,07,08,09,0A,0B,0C,0D,0E
	04	C168	-----	NCB21CK-105X	C CAPACITOR	(Addition)	1	01,02,03,04,05,06,07,08,09,0A,0B,0C,0D,0E
	04	C172	-----	QTE1H64-225Z	E CAPACITOR	(Addition)	1	01,02,03,04,05,06,07,08,09,0A,0B,0C,0D,0E
	04	C176	-----	NCB21CK-105X	C CAPACITOR	(Addition)	1	01,02,03,04,05,06,07,08,09,0A,0B,0C,0D,0E
	04	C177	-----	NCB21CK-105X	C CAPACITOR	(Addition)	1	01,02,03,04,05,06,07,08,09,0A,0B,0C,0D,0E
	04	C178	-----	NCB21CK-105X	C CAPACITOR	(Addition)	1	01,02,03,04,05,06,07,08,09,0A,0B,0C,0D,0E
	04	C181	-----	QEKJ1CM-476Z	E CAPACITOR	(Addition)	1	01,02,03,04,05,06,07,08,09,0A,0B,0C,0D,0E
	04	C182	-----	QEKJ1CM-107Z	E CAPACITOR	(Addition)	1	01,02,03,04,05,06,07,08,09,0A,0B,0C,0D,0E
	04	C183	-----	NCBA1CK-104W	C CAPACITOR	(Addition)	1	01,02,03,04,05,06,07,08,09,0A,0B,0C,0D,0E
	04	C301	-----	QFV91HJ-474Z	MF CAPACITOR	(Addition)	1	01,02,03,04,05,06,07,08,09,0A,0B,0C,0D,0E
	04	C302	-----	QFV91HJ-474Z	MF CAPACITOR	(Addition)	1	01,02,03,04,05,06,07,08,09,0A,0B,0C,0D,0E
	04	C303	-----	NDCA1HJ-101W	C CAPACITOR	(Addition)	1	01,02,03,04,05,06,07,08,09,0A,0B,0C,0D,0E
	04	C304	-----	NDCA1HJ-101W	C CAPACITOR	(Addition)	1	01,02,03,04,05,06,07,08,09,0A,0B,0C,0D,0E
	04	C309	-----	NCB31CK-105X	C CAPACITOR	(Addition)	1	01,02,03,04,05,06,07,08,09,0A,0B,0C,0D,0E
	04	C310	-----	NCB31CK-105X	C CAPACITOR	(Addition)	1	01,02,03,04,05,06,07,08,09,0A,0B,0C,0D,0E
	04	C311	-----	QFV91HJ-474Z	MF CAPACITOR	(Addition)	1	01,02,03,04,05,06,07,08,09,0A,0B,0C,0D,0E
	04	C312	-----	QFV91HJ-474Z	MF CAPACITOR	(Addition)	1	01,02,03,04,05,06,07,08,09,0A,0B,0C,0D,0E
	04	C313	-----	NDCA1HJ-101W	C CAPACITOR	(Addition)	1	01,02,03,04,05,06,07,08,09,0A,0B,0C,0D,0E
	04	C314	-----	NDCA1HJ-101W	C CAPACITOR	(Addition)	1	01,02,03,04,05,06,07,08,09,0A,0B,0C,0D,0E

△	Symbol	or	Part No.		Part Name	Description	Qty	Models
			<Rev.001>	<Rev.002>				
04	C315		-----	NCB31EK-223X	C CAPACITOR	(Addition)	1	01,02,03,04,05,06,07,08,09,0A,0B,0C,0D,0E
04	C316		-----	QTE1C57-476Z	E CAPACITOR	(Addition)	1	01,02,03,04,05,06,07,08,09,0A,0B,0C,0D,0E
04	C317		-----	NCB21AK-225X-A	C CAPACITOR	(Addition)	1	01,02,03,04,05,06,07,08,09,0A,0B,0C,0D,0E
04	C318		-----	QEKJ1CM-226Z	E CAPACITOR	(Addition)	1	01,02,03,04,05,06,07,08,09,0A,0B,0C,0D,0E
04	C319		-----	NCB31EK-223X	C CAPACITOR	(Addition)	1	01,02,03,04,05,06,07,08,09,0A,0B,0C,0D,0E
04	C321		-----	NCBA1CK-223W	C CAPACITOR	(Addition)	1	01,02,03,04,05,06,07,08,09,0A,0B,0C,0D,0E
04	C322		-----	NCBA1CK-223W	C CAPACITOR	(Addition)	1	01,02,03,04,05,06,07,08,09,0A,0B,0C,0D,0E
04	C323		-----	NDCA1HJ-101W	C CAPACITOR	(Addition)	1	01,02,03,04,05,06,07,08,09,0A,0B,0C,0D,0E
04	C324		-----	QEKJ1HM-475Z	E CAPACITOR	(Addition)	1	01,02,03,04,05,06,07,08,09,0A,0B,0C,0D,0E
04	C333		-----	NDCA1HJ-101W	C CAPACITOR	(Addition)	1	01,02,03,04,05,06,07,08,09,0A,0B,0C,0D,0E
04	C334		-----	QEKJ1HM-475Z	E CAPACITOR	(Addition)	1	01,02,03,04,05,06,07,08,09,0A,0B,0C,0D,0E
04	C383		-----	QEKJ1HM-475Z	E CAPACITOR	(Addition)	1	01
04	C384		-----	QEKJ1HM-475Z	E CAPACITOR	(Addition)	1	01
04	C385		-----	NCBA1CK-104W	C CAPACITOR	(Addition)	1	01
04	C386		-----	NCBA1CK-104W	C CAPACITOR	(Addition)	1	01
04	C387		-----	NCB31HK-152X	C CAPACITOR	(Addition)	1	01
04	C388		-----	NCB31HK-152X	C CAPACITOR	(Addition)	1	01
04	C389		-----	QEKJ1CM-107Z	E CAPACITOR	(Addition)	1	01
04	C390		-----	QEKJ1CM-107Z	E CAPACITOR	(Addition)	1	01
04	C392		-----	QEKJ0JM-476Z	E CAPACITOR	(Addition)	1	01
04	C405		-----	NDC31HJ-220X	C CAPACITOR	(Addition)	1	01,02,03,04,05,06,07,08,09,0A,0B,0C,0D,0E
04	C406		-----	NCBA1CK-103W	C CAPACITOR	(Addition)	1	01,02,03,04,05,06,07,08,09,0A,0B,0C,0D,0E
04	C411		-----	QEKJ1AM-227Z	E CAPACITOR	(Addition)	1	01,02,03,04,05,06,07,08,09,0A,0B,0C,0D,0E
04	C412		-----	NCBA1AK-473W	C CAPACITOR	(Addition)	1	01,02,03,04,05,06,07,08,09,0A,0B,0C,0D,0E
04	C413		-----	QCZ0202-155Z	C CAPACITOR	(Addition)	1	01,02,03,04,05,06,07,08,09,0A,0B,0C,0D,0E
04	C414		-----	QEKJ0JM-337Z	E CAPACITOR	(Addition)	1	01,02,03,04,05,06,07,08,09,0A,0B,0C,0D,0E
04	C471		-----	QTE1H57-225Z	E CAPACITOR	(Addition)	1	01,02,03,04,05,06,07,08,09,0A,0B,0C,0D,0E
04	C472		-----	QTE0J57-476Z	E CAPACITOR	(Addition)	1	01,02,03,04,05,06,07,08,09,0A,0B,0C,0D,0E
04	C473		-----	NDC31HJ-680X	C CAPACITOR	(Addition)	1	01,02,03,04,05,06,07,08,09,0A,0B,0C,0D,0E
04	C474		-----	NDC31HJ-560X	C CAPACITOR	(Addition)	1	01,02,03,04,05,06,07,08,09,0A,0B,0C,0D,0E
04	C475		-----	NCBA1CK-104W	C CAPACITOR	(Addition)	1	01,02,03,04,05,06,07,08,09,0A,0B,0C,0D,0E
04	C476		-----	QEKJ1CM-107Z	E CAPACITOR	(Addition)	1	01,02,03,04,05,06,07,08,09,0A,0B,0C,0D,0E
04	C481		-----	QTE1H57-225Z	E CAPACITOR	(Addition)	1	01,02,03,04,05,06,07,08,09,0A,0B,0C,0D,0E
04	C482		-----	QTE0J57-476Z	E CAPACITOR	(Addition)	1	01,02,03,04,05,06,07,08,09,0A,0B,0C,0D,0E
04	C483		-----	NDC31HJ-680X	C CAPACITOR	(Addition)	1	01,02,03,04,05,06,07,08,09,0A,0B,0C,0D,0E
04	C484		-----	NDC31HJ-560X	C CAPACITOR	(Addition)	1	01,02,03,04,05,06,07,08,09,0A,0B,0C,0D,0E
04	C701		-----	NCBA1AK-104W	C CAPACITOR	(Addition)	1	01,02,03,04,05,06,07,08,09,0A,0B,0C,0D,0E
04	C702		-----	NCBA1CK-104W	C CAPACITOR	(Addition)	1	01,02,03,04,05,06,07,08,09,0A,0B,0C,0D,0E
04	C703		-----	NCBA1AK-104W	C CAPACITOR	(Addition)	1	01,02,03,04,05,06,07,08,09,0A,0B,0C,0D,0E
04	C711		-----	NDCA1HJ-101W	C CAPACITOR	(Addition)	1	01

△	Symbol	or	Part No.		Part Name	Description	Qty	Models
			<Rev.001>	<Rev.002>				
	04	C731	-----	NCB31HK-102X	C CAPACITOR	(Addition)	1	01,02,03,04,05,06,07,08,09,0A,0B,0C,0D,0E
	04	C741	-----	NDC31HJ-270X	C CAPACITOR	(Addition)	1	01,02,03,04,05,06,07,08,09,0A,0B,0C,0D,0E
	04	C742	-----	NDC31HJ-220X	C CAPACITOR	(Addition)	1	01,02,03,04,05,06,07,08,09,0A,0B,0C,0D,0E
	04	C743	-----	NCB31CK-105X	C CAPACITOR	(Addition)	1	01,02,03,04,05,06,07,08,09,0A,0B,0C,0D,0E
	04	C744	-----	NDC31HJ-120X	C CAPACITOR	(Addition)	1	01,02,03,04,05,06,07,08,09,0A,0B,0C,0D,0E
	04	C745	-----	NDC31HJ-120X	C CAPACITOR	(Addition)	1	01,02,03,04,05,06,07,08,09,0A,0B,0C,0D,0E
	04	C746	-----	QEKJ0JM-337Z	E CAPACITOR	(Addition)	1	01,02,03,04,05,06,07,08,09,0A,0B,0C,0D,0E
	04	C747	-----	QEKJ0JM-337Z	E CAPACITOR	(Addition)	1	01,02,03,04,05,06,07,08,09,0A,0B,0C,0D,0E
	04	C749	-----	NCBA1AK-473W	C CAPACITOR	(Addition)	1	01,02,03,04,05,06,07,08,09,0A,0B,0C,0D,0E
	04	C801	-----	NDC31HJ-220X	C CAPACITOR	(Addition)	1	01,02,03,04,05,06,07,08,09,0A,0B,0C,0D,0E
	04	C802	-----	NCBA1AK-473W	C CAPACITOR	(Addition)	1	01,02,03,04,05,06,07,08,09,0A,0B,0C,0D,0E
	04	C803	-----	QEKJ1HM-225Z	E CAPACITOR	(Addition)	1	01,02,03,04,05,06,07,08,09,0A,0B,0C,0D,0E
	04	C804	-----	QEKJ1HM-225Z	E CAPACITOR	(Addition)	1	01,02,03,04,05,06,07,08,09,0A,0B,0C,0D,0E
	04	C851	-----	QEKJ1EM-106Z	E CAPACITOR	(Addition)	1	03,04,05,06,07,08,09,0A,0B,0C,0D,0E
	04	C852	-----	NCB31CK-224X	C CAPACITOR	(Addition)	1	03,04,05,06,07,08,09,0A,0B,0C,0D,0E
	04	C861	-----	QEKJ0JM-476Z	E CAPACITOR	(Addition)	1	01,02,03,04,05,06,07,08,09,0A,0B,0C,0D,0E
	04	C862	-----	QEKJ1CM-107Z	E CAPACITOR	(Addition)	1	01,02,03,04,05,06,07,08,09,0A,0B,0C,0D,0E
	04	C885	-----	NCB31CK-105X	C CAPACITOR	(Addition)	1	01,02,03,04,05,06,07,08,09,0A,0B,0C,0D,0E
△	04	C901	-----	QEZ0869-278	E CAPACITOR	(Addition)	1	01,02,03,04,05,06,07,08,09,0A,0B,0C,0D,0E
	04	C902	-----	NCB31EK-104X	C CAPACITOR	(Addition)	1	01,02,03,04,05,06,07,08,09,0A,0B,0C,0D,0E
	04	C903	-----	QEKJ1HM-225Z	E CAPACITOR	(Addition)	1	01,02,03,04,05,06,07,08,09,0A,0B,0C,0D,0E
	04	C910	-----	NCBA1CK-104W	C CAPACITOR	(Addition)	1	01,02,03,04,05,06,07,08,09,0A,0B,0C,0D,0E
	04	C911	-----	QEKJ1EM-106Z	E CAPACITOR	(Addition)	1	01,02,03,04,05,06,07,08,09,0A,0B,0C,0D,0E
	04	C912	-----	QEKJ0JM-337Z	E CAPACITOR	(Addition)	1	01,02,03,04,05,06,07,08,09,0A,0B,0C,0D,0E
	04	C913	-----	QEKJ1CM-476Z	E CAPACITOR	(Addition)	1	01,02,03,04,05,06,07,08,09,0A,0B,0C,0D,0E
	04	C914	-----	NCBA1CK-103W	C CAPACITOR	(Addition)	1	01,02,03,04,05,06,07,08,09,0A,0B,0C,0D,0E
	04	C915	-----	QEKJ1EM-106Z	E CAPACITOR	(Addition)	1	01,02,03,04,05,06,07,08,09,0A,0B,0C,0D,0E
	04	C916	-----	QEKJ1EM-106Z	E CAPACITOR	(Addition)	1	01,02,03,04,05,06,07,08,09,0A,0B,0C,0D,0E
	04	C917	-----	NCBA1CK-104W	C CAPACITOR	(Addition)	1	01,02,03,04,05,06,07,08,09,0A,0B,0C,0D,0E
	04	C919	-----	QEKJ1CM-226Z	E CAPACITOR	(Addition)	1	01,02,03,04,05,06,07,08,09,0A,0B,0C,0D,0E
	04	C920	-----	NCBA1CK-473W	C CAPACITOR	(Addition)	1	01,02,03,04,05,06,07,08,09,0A,0B,0C,0D,0E
	04	C925	-----	NCBA1AK-104W	C CAPACITOR	(Addition)	1	01,02,03,04,05,06,07,08,09,0A,0B,0C,0D,0E
	04	C926	-----	NCB31AK-105X	C CAPACITOR	(Addition)	1	01,02,03,04,05,06,07,08,09,0A,0B,0C,0D,0E
	04	C927	-----	NCBA1AK-104W	C CAPACITOR	(Addition)	1	01,02,03,04,05,06,07,08,09,0A,0B,0C,0D,0E
	04	C928	-----	NCBA1HK-102W	C CAPACITOR	(Addition)	1	01,02,03,04,05,06,07,08,09,0A,0B,0C,0D,0E
	04	C929	-----	NDC31HJ-681X	C CAPACITOR	(Addition)	1	01,02,03,04,05,06,07,08,09,0A,0B,0C,0D,0E

△	Symbol	or	Part No.		Part Name	Description	Qty	Models
			<Rev.001>	<Rev.002>				
04	C930		-----	NCB31AK-105X	C CAPACITOR	(Addition)	1	01,02,03,04,05,06,07,08,09,0A,0B,0C,0D,0E
04	C931		-----	NCJ11EK-106X-A	C CAPACITOR	(Addition)	1	01,02,03,04,05,06,07,08,09,0A,0B,0C,0D,0E
04	C932		-----	NCJ11EK-106X-A	C CAPACITOR	(Addition)	1	01,02,03,04,05,06,07,08,09,0A,0B,0C,0D,0E
04	C933		-----	NCB10JK-106X-A	C CAPACITOR	(Addition)	1	01,02,03,04,05,06,07,08,09,0A,0B,0C,0D,0E
04	C934		-----	NCB10JK-106X-A	C CAPACITOR	(Addition)	1	01,02,03,04,05,06,07,08,09,0A,0B,0C,0D,0E
04	C935		-----	QE0595-477Z	E CAPACITOR	(Addition)	1	01,02,03,04,05,06,07,08,09,0A,0B,0C,0D,0E
04	C953		-----	NCBA1AK-104W	C CAPACITOR	(Addition)	1	01,02,03,04,05,06,07,08,09,0A,0B,0C,0D,0E
04	C955		-----	NDC31HJ-120X	C CAPACITOR	(Addition)	1	01,02,03,04,05,06,07,08,09,0A,0B,0C,0D,0E
04	C962		-----	NCBA1AK-473W	C CAPACITOR	(Addition)	1	01,02,03,04,05,06,07,08,09,0A,0B,0C,0D,0E
04	C964		-----	NCBA1AK-473W	C CAPACITOR	(Addition)	1	01,02,03,04,05,06,07,08,09,0A,0B,0C,0D,0E
04	C966		-----	NCBA1CK-103W	C CAPACITOR	(Addition)	1	01,02,03,04,05,06,07,08,09,0A,0B,0C,0D,0E
04	C967		-----	NCBA1AK-473W	C CAPACITOR	(Addition)	1	01,02,03,04,05,06,07,08,09,0A,0B,0C,0D,0E
04	C974		-----	NCB31HK-102X	C CAPACITOR	(Addition)	1	01,02,03,04,05,06,07,08,09,0A,0B,0C,0D,0E
04	C975		-----	QEKJ1AM-227Z	E CAPACITOR	(Addition)	1	01,02,03,04,05,06,07,08,09,0A,0B,0C,0D,0E
04	C981		-----	NCBA1CK-104W	C CAPACITOR	(Addition)	1	01,02,03,04,05,06,07,08,09,0A,0B,0C,0D,0E
04	R1		-----	NRSA63J-474X	MG RESISTOR	(Addition)	1	01,02,03,04,05,06,07,08,09,0A,0B,0C,0D,0E
04	R2		-----	NRSA63J-474X	MG RESISTOR	(Addition)	1	01,02,03,04,05,06,07,08,09,0A,0B,0C,0D,0E
04	R3		-----	NRSA63J-101X	MG RESISTOR	(Addition)	1	01,02,03,04,05,06,07,08,09,0A,0B,0C,0D,0E
04	R4		-----	NRSA6AJ-472W	MG RESISTOR	(Addition)	1	01,02,03,04,05,06,07,08,09,0A,0B,0C,0D,0E
04	R5		-----	NRS181J-220X	MG RESISTOR	(Addition)	1	01,02,03,04,05,06,07,08,09,0A,0B,0C,0D,0E
04	R6		-----	NRSA6AJ-472W	MG RESISTOR	(Addition)	1	01,02,03,04,05,06,07,08,09,0A,0B,0C,0D,0E
04	R7		-----	NRSA6AJ-472W	MG RESISTOR	(Addition)	1	01,02,03,04,05,06,07,08,09,0A,0B,0C,0D,0E
04	R12		-----	NRS181J-4R7X	MG RESISTOR	(Addition)	1	01,02,03,04,05,06,07,08,09,0A,0B,0C,0D,0E
04	R161		-----	NRSA6AJ-224W	MG RESISTOR	(Addition)	1	01,02,03,04,05,06,07,08,09,0A,0B,0C,0D,0E
04	R162		-----	NRSA6AJ-393W	MG RESISTOR	(Addition)	1	01,02,03,04,05,06,07,08,09,0A,0B,0C,0D,0E
04	R163		-----	NRSA6AJ-393W	MG RESISTOR	(Addition)	1	01,02,03,04,05,06,07,08,09,0A,0B,0C,0D,0E
04	R303		-----	NRSA6AJ-473W	MG RESISTOR	(Addition)	1	01,02,03,04,05,06,07,08,09,0A,0B,0C,0D,0E
04	R304		-----	NRSA6AJ-473W	MG RESISTOR	(Addition)	1	01,02,03,04,05,06,07,08,09,0A,0B,0C,0D,0E
04	R305		-----	NRSA63J-103X	MG RESISTOR	(Addition)	1	01,02,03,04,05,06,07,08,09,0A,0B,0C,0D,0E
04	R307		-----	NRSA63J-473X	MG RESISTOR	(Addition)	1	01,02,03,04,05,06,07,08,09,0A,0B,0C,0D,0E
04	R308		-----	NRSA63J-103X	MG RESISTOR	(Addition)	1	01,02,03,04,05,06,07,08,09,0A,0B,0C,0D,0E
04	R309		-----	NRSA6AJ-472W	MG RESISTOR	(Addition)	1	01,02,03,04,05,06,07,08,09,0A,0B,0C,0D,0E
04	R310		-----	NRS181J-100X	MG RESISTOR	(Addition)	1	01,02,03,04,05,06,07,08,09,0A,0B,0C,0D,0E
04	R313		-----	NRSA6AJ-473W	MG RESISTOR	(Addition)	1	01,02,03,04,05,06,07,08,09,0A,0B,0C,0D,0E
04	R314		-----	NRSA6AJ-473W	MG RESISTOR	(Addition)	1	01,02,03,04,05,06,07,08,09,0A,0B,0C,0D,0E

△	Symbol	or	Part No.		Part Name	Description	Qty	Models
			<Rev.001>	<Rev.002>				
	04	R321	-----	NRSA6AJ-101W	MG RESISTOR	(Addition)	1	01,02,03,04,05,06,07,08,09,0A,0B,0C,0D,0E
	04	R322	-----	NRSA6AJ-102W	MG RESISTOR	(Addition)	1	01,02,03,04,05,06,07,08,09,0A,0B,0C,0D,0E
	04	R323	-----	NRSA6AJ-473W	MG RESISTOR	(Addition)	1	01,02,03,04,05,06,07,08,09,0A,0B,0C,0D,0E
	04	R324	-----	NRSA6AJ-222W	MG RESISTOR	(Addition)	1	01,02,03,04,05,06,07,08,09,0A,0B,0C,0D,0E
	04	R331	-----	NRSA6AJ-101W	MG RESISTOR	(Addition)	1	01,02,03,04,05,06,07,08,09,0A,0B,0C,0D,0E
	04	R332	-----	NRSA6AJ-102W	MG RESISTOR	(Addition)	1	01,02,03,04,05,06,07,08,09,0A,0B,0C,0D,0E
	04	R333	-----	NRSA6AJ-473W	MG RESISTOR	(Addition)	1	01,02,03,04,05,06,07,08,09,0A,0B,0C,0D,0E
	04	R334	-----	NRSA6AJ-222W	MG RESISTOR	(Addition)	1	01,02,03,04,05,06,07,08,09,0A,0B,0C,0D,0E
	04	R361	-----	NRSA6AJ-102W	MG RESISTOR	(Addition)	1	01
	04	R362	-----	NRSA6AJ-102W	MG RESISTOR	(Addition)	1	01
	04	R363	-----	NRSA6AJ-104W	MG RESISTOR	(Addition)	1	01
	04	R364	-----	NRSA6AJ-104W	MG RESISTOR	(Addition)	1	01
	04	R365	-----	NRSA6AJ-223W	MG RESISTOR	(Addition)	1	01
	04	R366	-----	NRSA6AJ-223W	MG RESISTOR	(Addition)	1	01
	04	R367	-----	NRSA6AJ-333W	MG RESISTOR	(Addition)	1	01
	04	R368	-----	NRSA6AJ-333W	MG RESISTOR	(Addition)	1	01
	04	R371	-----	NRSA6AJ-0R0W	MG RESISTOR	(Addition)	1	02,03,04,05,06,07,08,09,0A,0B,0C,0D,0E
	04	R372	-----	NRSA6AJ-0R0W	MG RESISTOR	(Addition)	1	02,03,04,05,06,07,08,09,0A,0B,0C,0D,0E
	04	R403	-----	NRSA6AJ-471W	MG RESISTOR	(Addition)	1	01,02,03,04,05,06,07,08,09,0A,0B,0C,0D,0E
	04	R404	-----	NRSA6AJ-1R0W	MG RESISTOR	(Addition)	1	01,02,03,04,05,06,07,08,09,0A,0B,0C,0D,0E
	04	R405	-----	NRSA6AJ-0R0W	MG RESISTOR	(Addition)	1	01,02,03,04,05,06,07,08,09,0A,0B,0C,0D,0E
	04	R412	-----	NRSA6AD-222W	MG RESISTOR	(Addition)	1	01,02,03,04,05,06,07,08,09,0A,0B,0C,0D,0E
	04	R413	-----	NRSA6AD-181W	MG RESISTOR	(Addition)	1	01,02,03,04,05,06,07,08,09,0A,0B,0C,0D,0E
	04	R414	-----	NRSA6AJ-102W	MG RESISTOR	(Addition)	1	01,02,03,04,05,06,07,08,09,0A,0B,0C,0D,0E
	04	R415	-----	NRSA6AJ-750W	MG RESISTOR	(Addition)	1	01,02,03,04,05,06,07,08,09,0A,0B,0C,0D,0E
	04	R417	-----	NRSA6AJ-100W	MG RESISTOR	(Addition)	1	01,02,03,04,05,06,07,08,09,0A,0B,0C,0D,0E
	04	R471	-----	NRSA6AJ-224W	MG RESISTOR	(Addition)	1	01,02,03,04,05,06,07,08,09,0A,0B,0C,0D,0E
	04	R472	-----	NRSA6AJ-473W	MG RESISTOR	(Addition)	1	01,02,03,04,05,06,07,08,09,0A,0B,0C,0D,0E
	04	R473	-----	NRSA6AJ-473W	MG RESISTOR	(Addition)	1	01,02,03,04,05,06,07,08,09,0A,0B,0C,0D,0E
	04	R474	-----	NRSA6AJ-203W	MG RESISTOR	(Addition)	1	01,02,03,04,05,06,07,08,09,0A,0B,0C,0D,0E
	04	R475	-----	NRSA6AJ-103W	MG RESISTOR	(Addition)	1	01,02,03,04,05,06,07,08,09,0A,0B,0C,0D,0E
	04	R476	-----	NRSA6AJ-103W	MG RESISTOR	(Addition)	1	01,02,03,04,05,06,07,08,09,0A,0B,0C,0D,0E
	04	R477	-----	NRSA6AJ-103W	MG RESISTOR	(Addition)	1	01,02,03,04,05,06,07,08,09,0A,0B,0C,0D,0E
	04	R481	-----	NRSA6AJ-224W	MG RESISTOR	(Addition)	1	01,02,03,04,05,06,07,08,09,0A,0B,0C,0D,0E
	04	R482	-----	NRSA6AJ-473W	MG RESISTOR	(Addition)	1	01,02,03,04,05,06,07,08,09,0A,0B,0C,0D,0E
	04	R483	-----	NRSA6AJ-473W	MG RESISTOR	(Addition)	1	01,02,03,04,05,06,07,08,09,0A,0B,0C,0D,0E
	04	R484	-----	NRSA6AJ-203W	MG RESISTOR	(Addition)	1	01,02,03,04,05,06,07,08,09,0A,0B,0C,0D,0E
	04	R485	-----	NRSA6AJ-103W	MG RESISTOR	(Addition)	1	01,02,03,04,05,06,07,08,09,0A,0B,0C,0D,0E
	04	R486	-----	NRSA6AJ-103W	MG RESISTOR	(Addition)	1	01,02,03,04,05,06,07,08,09,0A,0B,0C,0D,0E

△	Symbol	or	Part No.		Part Name	Description	Qty	Models
			<Rev.001>	<Rev.002>				
04	R487		-----	NRSA6AJ-103W	MG RESISTOR	(Addition)	1	01,02,03,04,05,06,07,08,09,0A,0B,0C,0D,0E
04	R701		-----	NRSA63J-471X	MG RESISTOR	(Addition)	1	01,02,03,04,05,06,07,08,09,0A,0B,0C,0D,0E
04	R702		-----	NRSA6AJ-392W	MG RESISTOR	(Addition)	1	01,02,03,04,05,06,07,08,09,0A,0B,0C,0D,0E
04	R703		-----	NRSA6AJ-562W	MG RESISTOR	(Addition)	1	01,02,03,04,05,06,07,08,09,0A,0B,0C,0D,0E
04	R704		-----	NRSA6AJ-271W	MG RESISTOR	(Addition)	1	01,02,03,04,05,06,07,08,09,0A,0B,0C,0D,0E
04	R705		-----	NRSA6AJ-271W	MG RESISTOR	(Addition)	1	01,02,03,04,05,06,07,08,09,0A,0B,0C,0D,0E
04	R711		-----	NRSA6AJ-271W	MG RESISTOR	(Addition)	1	01
04	R731		-----	NRSA6AJ-101W	MG RESISTOR	(Addition)	1	01,02,03,04,05,06,07,08,09,0A,0B,0C,0D,0E
04	R732		-----	NRSA6AJ-473W	MG RESISTOR	(Addition)	1	01,02,03,04,05,06,07,08,09,0A,0B,0C,0D,0E
04	R733		-----	NRSA6AJ-152W	MG RESISTOR	(Addition)	1	01,02,03,04,05,06,07,08,09,0A,0B,0C,0D,0E
04	R734		-----	NRSA6AJ-152W	MG RESISTOR	(Addition)	1	01,02,03,04,05,06,07,08,09,0A,0B,0C,0D,0E
04	R735		-----	NRSA6AJ-103W	MG RESISTOR	(Addition)	1	01,02,03,04,05,06,07,08,09,0A,0B,0C,0D,0E
04	R736		-----	NRSA6AJ-103W	MG RESISTOR	(Addition)	1	01,02,03,04,05,06,07,08,09,0A,0B,0C,0D,0E
04	R737		-----	NRSA6AJ-104W	MG RESISTOR	(Addition)	1	01,02,03,04,05,06,07,08,09,0A,0B,0C,0D,0E
04	R738		-----	NRSA6AJ-104W	MG RESISTOR	(Addition)	1	01,02,03,04,05,06,07,08,09,0A,0B,0C,0D,0E
04	R739		-----	NRSA6AJ-472W	MG RESISTOR	(Addition)	1	01,02,03,04,05,06,07,08,09,0A,0B,0C,0D,0E
04	R740		-----	NRSA6AJ-472W	MG RESISTOR	(Addition)	1	01,02,03,04,05,06,07,08,09,0A,0B,0C,0D,0E
04	R741		-----	NRSA6AJ-473W	MG RESISTOR	(Addition)	1	01,02,03,04,05,06,07,08,09,0A,0B,0C,0D,0E
04	R743		-----	NRSA6AJ-472W	MG RESISTOR	(Addition)	1	01,02,03,04,05,06,07,08,09,0A,0B,0C,0D,0E
04	R744		-----	NRSA6AJ-472W	MG RESISTOR	(Addition)	1	01,02,03,04,05,06,07,08,09,0A,0B,0C,0D,0E
04	R745		-----	NRSA6AJ-103W	MG RESISTOR	(Addition)	1	01,02
04	R746		-----	NRSA6AJ-103W	MG RESISTOR	(Addition)	1	02,03,04,05,06,07,08,09,0A,0B,0C,0D,0E
04	R747		-----	NRSA6AJ-103W	MG RESISTOR	(Addition)	1	01,02,03,04,05,06,07,08,09,0A,0B,0C,0D,0E
04	R748		-----	NRSA6AJ-331W	MG RESISTOR	(Addition)	1	01,02,03,04,05,06,07,08,09,0A,0B,0C,0D,0E
04	R749		-----	NRSA6AJ-331W	MG RESISTOR	(Addition)	1	01,02,03,04,05,06,07,08,09,0A,0B,0C,0D,0E
04	R750		-----	NRSA6AJ-152W	MG RESISTOR	(Addition)	1	01,02,03,04,05,06,07,08,09,0A,0B,0C,0D,0E
04	R751		-----	NRSA6AJ-432W	MG RESISTOR	(Addition)	1	01,02,03,04,05,06,07,08,09,0A,0B,0C,0D,0E
04	R752		-----	NRSA6AJ-0R0W	MG RESISTOR	(Addition)	1	01,02,03,04,05,06,07,08,09,0A,0B,0C,0D,0E
04	R754		-----	NRSA6AJ-222W	MG RESISTOR	(Addition)	1	01,02,03,04,05,06,07,08,09,0A,0B,0C,0D,0E
04	R755		-----	NRSA6AJ-222W	MG RESISTOR	(Addition)	1	01,02,03,04,05,06,07,08,09,0A,0B,0C,0D,0E
04	R756		-----	NRSA6AJ-222W	MG RESISTOR	(Addition)	1	01,02,03,04,05,06,07,08,09,0A,0B,0C,0D,0E
04	R757		-----	NRSA6AJ-224W	MG RESISTOR	(Addition)	1	01,02,03,04,05,06,07,08,09,0A,0B,0C,0D,0E
04	R758		-----	NRSA6AJ-224W	MG RESISTOR	(Addition)	1	01,02,03,04,05,06,07,08,09,0A,0B,0C,0D,0E
04	R760		-----	NRSA6AJ-222W	MG RESISTOR	(Addition)	1	01
04	R761		-----	NRSA6AJ-223W	MG RESISTOR	(Addition)	1	01
04	R762		-----	NRSA6AJ-333W	MG RESISTOR	(Addition)	1	01,02,03,04,05,06,07,08,09,0A,0B,0C,0D,0E
04	R763		-----	NRSA6AJ-103W	MG RESISTOR	(Addition)	1	01,02,03,04,05,06,07,08,09,0A,0B,0C,0D,0E

△	Symbol	or	Part No.		Part Name	Description	Qty	Models
			<Rev.001>	<Rev.002>				
	04	R764	-----	NRSA6AJ-183W	MG RESISTOR	(Addition)	1	01,02,03,04,05,06,07,08,09,0A,0B,0C,0D,0E
	04	R765	-----	NRSA6AJ-222W	MG RESISTOR	(Addition)	1	01,02,03,04,05,06,07,08,09,0A,0B,0C,0D,0E
	04	R766	-----	NRSA6AJ-101W	MG RESISTOR	(Addition)	1	01,02,03,04,05,06,07,08,09,0A,0B,0C,0D,0E
	04	R767	-----	NRSA6AJ-101W	MG RESISTOR	(Addition)	1	01,02,03,04,05,06,07,08,09,0A,0B,0C,0D,0E
	04	R768	-----	NRSA6AJ-472W	MG RESISTOR	(Addition)	1	01,02,03,04,05,06,07,08,09,0A,0B,0C,0D,0E
	04	R769	-----	NRSA6AJ-472W	MG RESISTOR	(Addition)	1	01,02,03,04,05,06,07,08,09,0A,0B,0C,0D,0E
	04	R770	-----	NRSA6AJ-0R0W	MG RESISTOR	(Addition)	1	01,02,03,04,05,06,07,08,09,0A,0B,0C,0D,0E
	04	R771	-----	NRSA6AJ-472W	MG RESISTOR	(Addition)	1	01,02,03,04,05,06,07,08,09,0A,0B,0C,0D,0E
	04	R780	-----	NRSA6AJ-103W	MG RESISTOR	(Addition)	1	01,02,03,04,05,06,07,08,09,0A,0B,0C,0D,0E
	04	R782	-----	NRSA6AJ-682W	MG RESISTOR	(Addition)	1	01,02,03,04,05,06,07,08,09,0A,0B,0C,0D,0E
	04	R783	-----	NRSA6AJ-562W	MG RESISTOR	(Addition)	1	01,02,03,04,05,06,07,08,09,0A,0B,0C,0D,0E
	04	R784	-----	NRSA6AJ-393W	MG RESISTOR	(Addition)	1	01,02,03,04,05,06,07,08,09,0A,0B,0C,0D,0E
	04	R785	-----	NRSA6AJ-222W	MG RESISTOR	(Addition)	1	01,02,03,04,05,06,07,08,09,0A,0B,0C,0D,0E
	04	R786	-----	NRSA6AJ-222W	MG RESISTOR	(Addition)	1	01,02,03,04,05,06,07,08,09,0A,0B,0C,0D,0E
	04	R787	-----	NRSA6AJ-222W	MG RESISTOR	(Addition)	1	01,02,03,04,05,06,07,08,09,0A,0B,0C,0D,0E
	04	R789	-----	NRSA6AJ-472W	MG RESISTOR	(Addition)	1	01,02,03,04,05,06,07,08,09,0A,0B,0C,0D,0E
	04	R790	-----	NRSA6AJ-393W	MG RESISTOR	(Addition)	1	01,02,03,04,05,06,07,08,09,0A,0B,0C,0D,0E
	04	R791	-----	NRSA6AJ-473W	MG RESISTOR	(Addition)	1	01,02,03,04,05,06,07,08,09,0A,0B,0C,0D,0E
	04	R793	-----	NRSA6AJ-222W	MG RESISTOR	(Addition)	1	01,02,03,04,05,06,07,08,09,0A,0B,0C,0D,0E
	04	R795	-----	NRSA6AJ-0R0W	MG RESISTOR	(Addition)	1	01,02,03,04,05,06,07,08,09,0A,0B,0C,0D,0E
	04	R796	-----	NRSA6AJ-101W	MG RESISTOR	(Addition)	1	01,02,03,04,05,06,07,08,09,0A,0B,0C,0D,0E
	04	R797	-----	NRSA6AJ-101W	MG RESISTOR	(Addition)	1	01,02,03,04,05,06,07,08,09,0A,0B,0C,0D,0E
	04	R798	-----	NRSA6AJ-472W	MG RESISTOR	(Addition)	1	01,02,03,04,05,06,07,08,09,0A,0B,0C,0D,0E
	04	R799	-----	NRSA6AJ-102W	MG RESISTOR	(Addition)	1	01,02,03,04,05,06,07,08,09,0A,0B,0C,0D,0E
	04	R801	-----	NRSA6AJ-0R0W	MG RESISTOR	(Addition)	1	01,02,03,04,05,06,07,08,09,0A,0B,0C,0D,0E
	04	R802	-----	NRSA6AJ-104W	MG RESISTOR	(Addition)	1	01,02,03,04,05,06,07,08,09,0A,0B,0C,0D,0E
	04	R803	-----	NRSA6AJ-682W	MG RESISTOR	(Addition)	1	01,02,03,04,05,06,07,08,09,0A,0B,0C,0D,0E
	04	R804	-----	NRSA6AJ-392W	MG RESISTOR	(Addition)	1	01,02,03,04,05,06,07,08,09,0A,0B,0C,0D,0E
	04	R805	-----	NRSA6AJ-473W	MG RESISTOR	(Addition)	1	01,02,03,04,05,06,07,08,09,0A,0B,0C,0D,0E
	04	R806	-----	NRSA6AJ-101W	MG RESISTOR	(Addition)	1	01,02,03,04,05,06,07,08,09,0A,0B,0C,0D,0E
	04	R807	-----	NRSA6AJ-104W	MG RESISTOR	(Addition)	1	01,02,03,04,05,06,07,08,09,0A,0B,0C,0D,0E
	04	R808	-----	NRSA6AJ-101W	MG RESISTOR	(Addition)	1	01,02,03,04,05,06,07,08,09,0A,0B,0C,0D,0E
	04	R809	-----	NRSA6AJ-473W	MG RESISTOR	(Addition)	1	01,02,03,04,05,06,07,08,09,0A,0B,0C,0D,0E
	04	R810	-----	NRSA6AJ-392W	MG RESISTOR	(Addition)	1	01,02,03,04,05,06,07,08,09,0A,0B,0C,0D,0E
	04	R811	-----	NRSA6AJ-682W	MG RESISTOR	(Addition)	1	01,02,03,04,05,06,07,08,09,0A,0B,0C,0D,0E

△	Symbol	or	Part No.		Part Name	Description	Qty	Models	
			<Rev.001>	<Rev.002>					
	04	R812	-----	NRSA6AJ-104W	MG RESISTOR	(Addition)	1	01,02,03,04,05,06,07,08,09,0A,0B,0C,0D,0E	
	04	R813	-----	NRSA6AJ-103W	MG RESISTOR	(Addition)	1	01,02,03,04,05,06,07,08,09,0A,0B,0C,0D,0E	
	04	R814	-----	NRSA6AJ-103W	MG RESISTOR	(Addition)	1	01,02,03,04,05,06,07,08,09,0A,0B,0C,0D,0E	
	04	R851	-----	NRSA6AJ-472W	MG RESISTOR	(Addition)	1	03,04,05,06,07,08,09,0A,0B,0C,0D,0E	
	04	R852	-----	NRSA6AJ-473W	MG RESISTOR	(Addition)	1	03,04,05,06,07,08,09,0A,0B,0C,0D,0E	
	04	R853	-----	NRS181J-102X	MG RESISTOR	(Addition)	1	03,04,05,06,07,08,09,0A,0B,0C,0D,0E	
	04	R861	-----	NRSA6AJ-471W	MG RESISTOR	(Addition)	1	01,02,03,04,05,06,07,08,09,0A,0B,0C,0D,0E	
	04	R885	-----	NRSA6AJ-223W	MG RESISTOR	(Addition)	1	01,02,03,04,05,06,07,08,09,0A,0B,0C,0D,0E	
	04	R886	-----	NRSA6AJ-153W	MG RESISTOR	(Addition)	1	01,02,03,04,05,06,07,08,09,0A,0B,0C,0D,0E	
	04	R887	-----	NRSA6AJ-103W	MG RESISTOR	(Addition)	1	01,02,03,04,05,06,07,08,09,0A,0B,0C,0D,0E	
	04	R901	-----	QRE142J-102X	C RESISTOR	(Addition)	1	01,02,03,04,05,06,07,08,09,0A,0B,0C,0D,0E	
	04	R902	-----	NRS181J-912X	MG RESISTOR	(Addition)	1	01,02,03,04,05,06,07,08,09,0A,0B,0C,0D,0E	
	04	R903	-----	NRSA63J-472X	MG RESISTOR	(Addition)	1	01,02,03,04,05,06,07,08,09,0A,0B,0C,0D,0E	
	04	R912	-----	NRSA6AJ-0R0W	MG RESISTOR	(Addition)	1	01,02,03,04,05,06,07,08,09,0A,0B,0C,0D,0E	
	04	R921	-----	NRSA63D-152X	MG RESISTOR	(Addition)	1	01,02,03,04,05,06,07,08,09,0A,0B,0C,0D,0E	
	04	R922	-----	NRSA63D-103X	MG RESISTOR	(Addition)	1	01,02,03,04,05,06,07,08,09,0A,0B,0C,0D,0E	
	04	R923	-----	NRSA63J-244X	MG RESISTOR	(Addition)	1	01,02,03,04,05,06,07,08,09,0A,0B,0C,0D,0E	
	04	R924	-----	NRSA63J-202X	MG RESISTOR	(Addition)	1	01,02,03,04,05,06,07,08,09,0A,0B,0C,0D,0E	
	04	R925	-----	NRSA63J-102X	MG RESISTOR	(Addition)	1	01,02,03,04,05,06,07,08,09,0A,0B,0C,0D,0E	
	04	R926	-----	NRSA63J-682X	MG RESISTOR	(Addition)	1	01,02,03,04,05,06,07,08,09,0A,0B,0C,0D,0E	
	04	R927	-----	NRSA63J-474X	MG RESISTOR	(Addition)	1	01,02,03,04,05,06,07,08,09,0A,0B,0C,0D,0E	
	04	R928	-----	NRS181J-100X	MG RESISTOR	(Addition)	1	01,02,03,04,05,06,07,08,09,0A,0B,0C,0D,0E	
	04	R929	-----	NRS181J-100X	MG RESISTOR	(Addition)	1	01,02,03,04,05,06,07,08,09,0A,0B,0C,0D,0E	
	04	R961	-----	NRSA6AJ-101W	MG RESISTOR	(Addition)	1	01,02,03,04,05,06,07,08,09,0A,0B,0C,0D,0E	
	04	R972	-----	NRS181J-221X	MG RESISTOR	(Addition)	1	01,02,03,04,05,06,07,08,09,0A,0B,0C,0D,0E	
	04	R976	-----	NRSA63J-563X	MG RESISTOR	(Addition)	1	01,02,03,04,05,06,07,08,09,0A,0B,0C,0D,0E	
	04	R977	-----	NRSA63J-183X	MG RESISTOR	(Addition)	1	01,02,03,04,05,06,07,08,09,0A,0B,0C,0D,0E	
	04	R981	-----	NRS181J-332X	MG RESISTOR	(Addition)	1	01,02,03,04,05,06,07,08,09,0A,0B,0C,0D,0E	
	04	L1	-----	NQL093K-R47X	COIL	(Addition)	1	01,02,03,04,05,06,07,08,09,0A,0B,0C,0D,0E	
	04	L2	-----	NQL093K-1R8X	COIL	(Addition)	1	01,02,03,04,05,06,07,08,09,0A,0B,0C,0D,0E	
	04	L3	-----	QQL213M-R22Z	COIL	(Addition)	1	01,02,03,04,05,06,07,08,09,0A,0B,0C,0D,0E	
	04	L4	-----	QQR1813-001	COIL	(Addition)	1	01,02,03,04,05,06,07,08,09,0A,0B,0C,0D,0E	
	04	L5	-----	NQL114K-561X	P COIL	(Addition)	1	01,02,03,04,05,06,07,08,09,0A,0B,0C,0D,0E	
	04	L6	-----	NQL114K-561X	P COIL	(Addition)	1	01,02,03,04,05,06,07,08,09,0A,0B,0C,0D,0E	
	04	L8	-----	QQL244J-4R7Z	P COIL	(Addition)	1	01,02,03,04,05,06,07,08,09,0A,0B,0C,0D,0E	
△	04	L901	-----	QQR0703-001	CHOKE COIL	(Addition)	1	01,02,03,04,05,06,07,08,09,0A,0B,0C,0D,0E	
△	04	L901	or	-----	QQR1852-001	CHOKE COIL	(Addition)	1	01,02,03,04,05,06,07,08,09,0A,0B,0C,0D,0E

△	Symbol	or	Part No.		Part Name	Description	Qty	Models
			<Rev.001>	<Rev.002>				
	04	L922	-----	QQL92AK-330Z	COIL	(Addition)	1	01,02,03,04,05,06,07,08,09,0A,0B,0C,0D,0E
	04	L923	-----	NQLB7GM-100X	COIL	(Addition)	1	01,02,03,04,05,06,07,08,09,0A,0B,0C,0D,0E
	04	L951	-----	QQL244J-470Z	COIL	(Addition)	1	01,02,03,04,05,06,07,08,09,0A,0B,0C,0D,0E
	04	CN701	-----	QGZ1601J1-15	CONNECTOR	(Addition)	1	01,02,03,04,05,06,07,08,09,0A,0B,0C,0D,0E
	04	CN702	-----	QNS0283-001	STEERING REMOTE	(Addition)	1	01
	04	CN901	-----	QNZ0607-001	CAR CONNECTOR	(Addition)	1	01,02,03,04,05,06,07,08,09,0A,0B,0C,0D,0E
	04	CN961	-----	QGF0534F3-50X	CONNECTOR	(Addition)	1	01,02,03,04,05,06,07,08,09,0A,0B,0C,0D,0E
	04	J1	-----	QNB0190-001	ANT TERMINAL	(Addition)	1	01,02,03,04,05,06,07,08,09,0A,0B,0C,0D,0E
	04	J321	-----	QNN0771-001	3P PIN JACK	(Addition)	1	01
	04	J321	-----	QNN0770-001	3P PIN JACK	(Addition)	1	02,03,04,05,06,07,08,09,0A,0B,0C,0D,0E
	04	J801	-----	QNZ0095-001	CONNECTOR	(Addition)	1	01,02,03,04,05,06,07,08,09,0A,0B,0C,0D,0E
	04	K411	-----	NQR0201-004X	FERRITE BEADS	(Addition)	1	01,02,03,04,05,06,07,08,09,0A,0B,0C,0D,0E
	04	K711	-----	NQR0007-002X	FERRITE BEADS	(Addition)	1	01
	04	K721	-----	NQR0022-005X	FERRITE BEADS	(Addition)	1	01,02,03,04,05,06,07,08,09,0A,0B,0C,0D,0E
	04	S732	-----	QSW0648-001Z	TACT SWITCH	(Addition)	1	01,02,03,04,05,06,07,08,09,0A,0B,0C,0D,0E
	04	X1	-----	QAX0928-001Z	CRYSTAL	(Addition)	1	01,02,03,04,05,06,07,08,09,0A,0B,0C,0D,0E
	04	X721	-----	QAX0401-001	CRYSTAL	(Addition)	1	01,02,03,04,05,06,07,08,09,0A,0B,0C,0D,0E
	04	X722	-----	QAX0916-001Z	CRYSTAL	(Addition)	1	01,02,03,04,05,06,07,08,09,0A,0B,0C,0D,0E

Packing and accessories [M3MM]

△	Symbol	or	Part No.		Part Name	Description	Qty	Models
			<Rev.001>	<Rev.002>				
	M3MM	A2	-----	GET0588-010A	INSTALL MANUAL	(Addition)	1	0D,0E
	M3MM	A10	-----	GE20235-012A	TRIM PLATE	(Addition)	1	0D
	M3MM	A20	-----	GET0588-009A	INST BOOK	(Addition)	1	0D,0E
	M3MM	KIT	SRW-NX5000E	-----	SCREW PARTS KIT	(Deletion)	1	
	M3MM	KIT	-----	SRW-385U	SCREW PARTS KIT	(Addition)	1	0D,0E
	M3MM	KIT	-----	SRW-NX5000E	SCREW PARTS KIT	(Addition)	1	01,02,03,04,05,06,07,08,09,0A,0B,0C



Victor Company of Japan, Limited

Mobile Entertainment Division 10-1,1chome,Ohwatari-machi,Maebashi-city,371-8543,Japan



REVISION INFORMATION

DVD/CD RECEIVER

**KD-ADV5580J, KD-DV5500J, KD-DV4504UI,
KD-DV4505U, KD-DV4505UN, KD-DV4505UT,
KD-DV4505A, KD-DV4506U, KD-DV4506UN,
KD-DV4506UT, KD-DV4506A, KD-DV4588UF,
KD-DV4505UH, KD-DV4506UH**

■ OVERVIEW

Supported reduction in cost, and board contents and mechanism contents were changed. A set put the following label on is an object.

■ DETAILS

COVER SECTION

Title	Line	No.MA437<Rev.002>	No.MA437<Rev.003>	Description
Revision		Rev.002	Rev.003	
Issue Date		2009/08	2009/11	
Cover Illustration		ILLUSTRATION(ma437_0001.png)	ILLUSTRATION(ma437_0001.png)	

SECTION 2 SPECIFIC SERVICE INSTRUCTIONS

Title	Line	No.MA437<Rev.002>	No.MA437<Rev.003>	Description
2.1 Identification method	1	Supported reduction in cost, and board contents was changed. A set put the following label on is an object.	Supported reduction in cost, and board contents and mechanism contents were changed. A set put the following label on is an object.	
	2	ILLUSTRATION(ma437_2001.png)	ILLUSTRATION(ma437_2001.png)	XML Structure

STANDARD SCHEMATIC DIAGRAMS

Schematic Diagram

Diagram Name	No.MA437<Rev.002>	No.MA437<Rev.003>	Description
Menu	DVD section	Old DVD section	
Menu	-	DVD section ma437_s006.svgz	

Printed Circuit Board

Diagram Name	No.MA437<Rev.002>	No.MA437<Rev.003>	Description
Menu	DVD board 1	Old DVD board 1	
Menu	DVD board 2	Old DVD board 2	
Menu	-	DVD board 1 ma437_p006.svgz	
Menu	-	DVD board 2 ma437_p007.svgz	

Exploded View

Diagram Name	No.MA437<Rev.002>	No.MA437<Rev.003>	Description
Menu	DVD mechanism assembly	Old DVD mechanism assembly	
Menu	-	DVD mechanism assembly ma437_mu01.svgz	

Description of Major ICs

Diagram Name	No.MA437<Rev.002>	No.MA437<Rev.003>	Description
Menu	-	IC398: JVM439B EN29LV320AT70TP.xml	
Menu	-	IC399: V54C3128164VCI7 V54C3128164VCI7.xml	

PARTS LIST

MODEL No. LIST

Model No.	No.MA437<Rev.003>
KD-ADV5580J	01
KD-DV4504UI	03
KD-DV4505A	07
KD-DV4505U	04
KD-DV4505UH	0D

Model No.	No.MA437<Rev.003>
KD-DV4505UN	05
KD-DV4505UT	06
KD-DV4506A	0B
KD-DV4506U	08
KD-DV4506UH	0E

Model No.	No.MA437<Rev.003>
KD-DV4506UN	09
KD-DV4506UT	0A
KD-DV4588UF	0C
KD-DV5500J	02

General assembly [M1MM]

Δ	Symbol	or	Part No.		Part Name	Description	Qty	Models
			<Rev.002>	<Rev.003>				
	M1MM	56	LV45386-001A	LV45408-001A	LABEL (M2/R2)		1	01,02,03,04,05,06,07,08,09,0A,0B,0C,0D,0E

DVD mechanism FMU-XD3-12D [MUMM]

Δ	Symbol	or	Part No.		Part Name	Description	Qty	Models
			<Rev.002>	<Rev.003>				
	MUMM	1	-----	LV11434-008A	FRAME UNIT	(Addition)	1	01,02,03,04,05,06,07,08,09,0A,0B,0C,0D,0E
	MUMM	2	-----	LV45021-001A	STOPPER	(Addition)	1	01,02,03,04,05,06,07,08,09,0A,0B,0C,0D,0E
	MUMM	3	-----	LV44959-002A	SPECIAL SCREW	(Addition)	1	01,02,03,04,05,06,07,08,09,0A,0B,0C,0D,0E
	MUMM	4	-----	LV45249-002A	L A SPRING(R) 2	(Addition)	1	01,02,03,04,05,06,07,08,09,0A,0B,0C,0D,0E
	MUMM	5	-----	LV37639-002A	L ARM HOLDER	(Addition)	1	01,02,03,04,05,06,07,08,09,0A,0B,0C,0D,0E
	MUMM	6	-----	VK24539-054	MINI SCREW	(Addition)	2	01,02,03,04,05,06,07,08,09,0A,0B,0C,0D,0E
	MUMM	7	-----	LV37640-001A	DAMPER(R)	(Addition)	1	01,02,03,04,05,06,07,08,09,0A,0B,0C,0D,0E
	MUMM	8	-----	LV37641-001A	DAMPER(F)	(Addition)	2	01,02,03,04,05,06,07,08,09,0A,0B,0C,0D,0E
	MUMM	9	-----	LV45074-001A	DAMPER SPRING B	(Addition)	2	01,02,03,04,05,06,07,08,09,0A,0B,0C,0D,0E
	MUMM	10	-----	LV45073-001A	DAMPER SPRING A	(Addition)	1	01,02,03,04,05,06,07,08,09,0A,0B,0C,0D,0E
	MUMM	11	-----	LV44897-002A	FLOATING SPRING	(Addition)	1	01,02,03,04,05,06,07,08,09,0A,0B,0C,0D,0E
	MUMM	12	-----	LV44894-001A	LOCK SLIDER SPR	(Addition)	1	01,02,03,04,05,06,07,08,09,0A,0B,0C,0D,0E
	MUMM	13	-----	LV11436-001A	MOTOR HOLDER	(Addition)	1	01,02,03,04,05,06,07,08,09,0A,0B,0C,0D,0E
	MUMM	14	-----	LV45135-001A	MINI TAP SCREW	(Addition)	2	01,02,03,04,05,06,07,08,09,0A,0B,0C,0D,0E

△	Symbol	or	Part No.		Part Name	Description	Qty	Models
			<Rev.002>	<Rev.003>				
MUMM	15		-----	QAR0465-001	LOADING MOTOR	(Addition)	1	01,02,03,04,05,06,07,08,09,0A,0B,0C,0D,0E
MUMM	16		-----	QYSPSPU1425MA	SCREW	(Addition)	2	01,02,03,04,05,06,07,08,09,0A,0B,0C,0D,0E
MUMM	17		-----	LV37642-001A	MOTOR TH SPRING	(Addition)	1	01,02,03,04,05,06,07,08,09,0A,0B,0C,0D,0E
MUMM	18		-----	LV37643-001A	MOTOR WORM GEAR	(Addition)	1	01,02,03,04,05,06,07,08,09,0A,0B,0C,0D,0E
MUMM	19		-----	LV37644-002A	M WHEEL GEAR	(Addition)	1	01,02,03,04,05,06,07,08,09,0A,0B,0C,0D,0E
MUMM	20		-----	LV37645-002A	M CONNECT GEAR	(Addition)	1	01,02,03,04,05,06,07,08,09,0A,0B,0C,0D,0E
MUMM	21		-----	LV37646-001A	A WORM GEAR	(Addition)	1	01,02,03,04,05,06,07,08,09,0A,0B,0C,0D,0E
MUMM	22		-----	LV37647-001A	A WHEEL GEAR	(Addition)	1	01,02,03,04,05,06,07,08,09,0A,0B,0C,0D,0E
MUMM	23		-----	LV37648-001A	ACT GEAR	(Addition)	1	01,02,03,04,05,06,07,08,09,0A,0B,0C,0D,0E
MUMM	24		-----	LV37649-001A	A CONNECT GEAR	(Addition)	1	01,02,03,04,05,06,07,08,09,0A,0B,0C,0D,0E
MUMM	25		-----	LV37650-001A	LOADING GEAR	(Addition)	1	01,02,03,04,05,06,07,08,09,0A,0B,0C,0D,0E
MUMM	26		-----	LV22553-003A	GEAR BASE	(Addition)	1	01,02,03,04,05,06,07,08,09,0A,0B,0C,0D,0E
MUMM	27		-----	VKZ4539-054	MINI SCREW	(Addition)	2	01,02,03,04,05,06,07,08,09,0A,0B,0C,0D,0E
MUMM	28		-----	LV37688-002A	SLIDE CAM ASSY	(Addition)	1	01,02,03,04,05,06,07,08,09,0A,0B,0C,0D,0E
MUMM	29		-----	LV45090-001A	S.CAM SPRING	(Addition)	1	01,02,03,04,05,06,07,08,09,0A,0B,0C,0D,0E
MUMM	30		-----	LV11437-003A	TOP COVER	(Addition)	1	01,02,03,04,05,06,07,08,09,0A,0B,0C,0D,0E
MUMM	31		-----	LV45157-001A	SPACER	(Addition)	1	01,02,03,04,05,06,07,08,09,0A,0B,0C,0D,0E
MUMM	32		-----	LV11600-001A	DISC PLATE 2	(Addition)	1	01,02,03,04,05,06,07,08,09,0A,0B,0C,0D,0E
MUMM	33		-----	WJM0515-001A-E	E-SI C WIRE C-F	(Addition)	1	01,02,03,04,05,06,07,08,09,0A,0B,0C,0D,0E
MUMM	34		-----	LV44586-001A	SPECIAL SCREW	(Addition)	1	01,02,03,04,05,06,07,08,09,0A,0B,0C,0D,0E
MUMM	35		-----	LV22735-001A	LOADING ARM A2	(Addition)	1	01,02,03,04,05,06,07,08,09,0A,0B,0C,0D,0E
MUMM	36		-----	LV44902-002A	ROLLER	(Addition)	2	01,02,03,04,05,06,07,08,09,0A,0B,0C,0D,0E
MUMM	37		-----	LV45244-001A	ROLLER SHAFT 2	(Addition)	1	01,02,03,04,05,06,07,08,09,0A,0B,0C,0D,0E
MUMM	38		-----	LV37652-002A	SHAFT GUIDE	(Addition)	1	01,02,03,04,05,06,07,08,09,0A,0B,0C,0D,0E
MUMM	39		-----	LV45252-001A	WASHER	(Addition)	2	01,02,03,04,05,06,07,08,09,0A,0B,0C,0D,0E
MUMM	40		-----	LV44960-001A	SLIT WASHER	(Addition)	2	01,02,03,04,05,06,07,08,09,0A,0B,0C,0D,0E
MUMM	41		-----	LV44904-001A	ROLLER COLLAR L	(Addition)	1	01,02,03,04,05,06,07,08,09,0A,0B,0C,0D,0E
MUMM	42		-----	LV45221-001A	R. COLLAR R2	(Addition)	1	01,02,03,04,05,06,07,08,09,0A,0B,0C,0D,0E
MUMM	43		-----	LV45235-001A	L ARM ROD	(Addition)	1	01,02,03,04,05,06,07,08,09,0A,0B,0C,0D,0E
MUMM	44		-----	LV37653-001A	CONNECT GEAR	(Addition)	1	01,02,03,04,05,06,07,08,09,0A,0B,0C,0D,0E
MUMM	45		-----	LV37654-001A	MIDDLE GEAR	(Addition)	1	01,02,03,04,05,06,07,08,09,0A,0B,0C,0D,0E
MUMM	46		-----	QYWDL1735250	SLIT WASHER	(Addition)	1	01,02,03,04,05,06,07,08,09,0A,0B,0C,0D,0E
MUMM	47		-----	LV37655-001A	ROLLER GEAR	(Addition)	1	01,02,03,04,05,06,07,08,09,0A,0B,0C,0D,0E
MUMM	48		-----	LV45248-001A	L A SPRING(L) 2	(Addition)	1	01,02,03,04,05,06,07,08,09,0A,0B,0C,0D,0E
MUMM	49		-----	VKZ4539-054	MINI SCREW	(Addition)	5	01,02,03,04,05,06,07,08,09,0A,0B,0C,0D,0E
MUMM	50		-----	CM-FMUXD3D	TRAMECHA UNIT	(Addition)	1	01,02,03,04,05,06,07,08,09,0A,0B,0C,0D,0E
MUMM	51		-----	LV44910-002A	CLAMPER SPRING	(Addition)	1	01,02,03,04,05,06,07,08,09,0A,0B,0C,0D,0E
MUMM	52		-----	LV45289-002A	SPACER(P)	(Addition)	1	01,02,03,04,05,06,07,08,09,0A,0B,0C,0D,0E
MUMM	53		-----	VKZ4539-054	MINI SCREW	(Addition)	2	01,02,03,04,05,06,07,08,09,0A,0B,0C,0D,0E

Front end board FMU-XD3-12D [05]

△	Symbol	or	Part No.		Part Name	Description	Qty	Models
			<Rev.002>	<Rev.003>				
05	IC1		-----	BD8215EFV-X	IC	(Addition)	1	01,02,03,04,05,06,07,08,09,0A,0B,0C,0D,0E
05	IC3		-----	MM3233CF-X	IC	(Addition)	1	01,02,03,04,05,06,07,08,09,0A,0B,0C,0D,0E
05	IC301		-----	MN2DS0018MA	IC	(Addition)	1	01,02,03,04,05,06,07,08,09,0A,0B,0C,0D,0E
05	IC302		-----	MM1701CH-X	IC	(Addition)	1	01,02,03,04,05,06,07,08,09,0A,0B,0C,0D,0E
05	IC398		-----	JVM439B	IC	(Addition)	1	01,02,03,04,05,06,07,08,09,0A,0B,0C,0D,0E
05	IC399		-----	V54C3128164VCI7	IC	(Addition)	1	01,02,03,04,05,06,07,08,09,0A,0B,0C,0D,0E
05	IC399	or	-----	HY57V281620FTH	IC(DIGITAL)	(Addition)	1	01,02,03,04,05,06,07,08,09,0A,0B,0C,0D,0E
05	IC400		-----	AK4387ET-X	IC	(Addition)	1	01,02,03,04,05,06,07,08,09,0A,0B,0C,0D,0E
05	IC481		-----	BR24S32FVT-W-X	IC(DIGITAL)	(Addition)	1	01,02,03,04,05,06,07,08,09,0A,0B,0C,0D,0E
05	IC501		-----	TC74LCX373FT-X	IC(DIGITAL)	(Addition)	1	01,02,03,04,05,06,07,08,09,0A,0B,0C,0D,0E
05	IC502		-----	TC74LCX373FT-X	IC(DIGITAL)	(Addition)	1	01,02,03,04,05,06,07,08,09,0A,0B,0C,0D,0E
05	Q2		-----	RT1N141U-X	DIGI TRANSISTOR	(Addition)	1	01,02,03,04,05,06,07,08,09,0A,0B,0C,0D,0E
05	Q4		-----	2SC3928A/R/-X	TRANSISTOR	(Addition)	1	01,02,03,04,05,06,07,08,09,0A,0B,0C,0D,0E
05	Q4	or	-----	2SD601A/R/-X	TRANSISTOR	(Addition)	1	01,02,03,04,05,06,07,08,09,0A,0B,0C,0D,0E
05	Q7		-----	2SC3928A/R/-X	TRANSISTOR	(Addition)	1	01,02,03,04,05,06,07,08,09,0A,0B,0C,0D,0E
05	Q7	or	-----	2SD601A/R/-X	TRANSISTOR	(Addition)	1	01,02,03,04,05,06,07,08,09,0A,0B,0C,0D,0E
05	Q101		-----	2SB1424/R/-W	TRANSISTOR	(Addition)	1	01,02,03,04,05,06,07,08,09,0A,0B,0C,0D,0E
05	Q102		-----	2SC4617/R/-X	TRANSISTOR	(Addition)	1	01,02,03,04,05,06,07,08,09,0A,0B,0C,0D,0E
05	Q103		-----	2SB1424/R/-W	TRANSISTOR	(Addition)	1	01,02,03,04,05,06,07,08,09,0A,0B,0C,0D,0E
05	Q104		-----	2SC4617/R/-X	TRANSISTOR	(Addition)	1	01,02,03,04,05,06,07,08,09,0A,0B,0C,0D,0E
05	Q105		-----	2SC4617/R/-X	TRANSISTOR	(Addition)	1	01,02,03,04,05,06,07,08,09,0A,0B,0C,0D,0E
05	Q106		-----	2SK3546J-X	MOS FET	(Addition)	1	01,02,03,04,05,06,07,08,09,0A,0B,0C,0D,0E
05	Q107		-----	2SK3546J-X	MOS FET	(Addition)	1	01,02,03,04,05,06,07,08,09,0A,0B,0C,0D,0E

△	Symbol	or	Part No.		Part Name	Description	Qty	Models
			<Rev.002>	<Rev.003>				
05	R177		-----	NRSA63J-0R0X	MG RESISTOR	(Addition)	1	01,02,03,04,05,06,07,08,09,0A,0B,0C,0D,0E
05	R178		-----	NRSA63J-0R0X	MG RESISTOR	(Addition)	1	01,02,03,04,05,06,07,08,09,0A,0B,0C,0D,0E
05	R181		-----	NQR0129-002X	FERRITE BEADS	(Addition)	1	01,02,03,04,05,06,07,08,09,0A,0B,0C,0D,0E
05	R189		-----	NRSA6AD-331W	MG RESISTOR	(Addition)	1	01,02,03,04,05,06,07,08,09,0A,0B,0C,0D,0E
05	R190		-----	NRSA6AD-331W	MG RESISTOR	(Addition)	1	01,02,03,04,05,06,07,08,09,0A,0B,0C,0D,0E
05	R195		-----	NRSA6AD-102W	MG RESISTOR	(Addition)	1	01,02,03,04,05,06,07,08,09,0A,0B,0C,0D,0E
05	R211		-----	NRSA6AD-473W	MG RESISTOR	(Addition)	1	01,02,03,04,05,06,07,08,09,0A,0B,0C,0D,0E
05	R213		-----	NRSA63J-100X	MG RESISTOR	(Addition)	1	01,02,03,04,05,06,07,08,09,0A,0B,0C,0D,0E
05	R215		-----	NRSA63D-122X	MG RESISTOR	(Addition)	1	01,02,03,04,05,06,07,08,09,0A,0B,0C,0D,0E
05	R216		-----	NRSA63D-122X	MG RESISTOR	(Addition)	1	01,02,03,04,05,06,07,08,09,0A,0B,0C,0D,0E
05	R217		-----	NRSA6AD-100W	MG RESISTOR	(Addition)	1	01,02,03,04,05,06,07,08,09,0A,0B,0C,0D,0E
05	R219		-----	NRSA63J-150X	MG RESISTOR	(Addition)	1	01,02,03,04,05,06,07,08,09,0A,0B,0C,0D,0E
05	R220		-----	NRSA63J-0R0X	MG RESISTOR	(Addition)	1	01,02,03,04,05,06,07,08,09,0A,0B,0C,0D,0E
05	R226		-----	NRSA6AD-473W	MG RESISTOR	(Addition)	1	01,02,03,04,05,06,07,08,09,0A,0B,0C,0D,0E
05	R229		-----	NRSA63J-0R0X	MG RESISTOR	(Addition)	1	01,02,03,04,05,06,07,08,09,0A,0B,0C,0D,0E
05	R233		-----	NRSA6AD-103W	MG RESISTOR	(Addition)	1	01,02,03,04,05,06,07,08,09,0A,0B,0C,0D,0E
05	R264		-----	NRSA63J-0R0X	MG RESISTOR	(Addition)	1	01,02,03,04,05,06,07,08,09,0A,0B,0C,0D,0E
05	R265		-----	NRSA6AD-103W	MG RESISTOR	(Addition)	1	01,02,03,04,05,06,07,08,09,0A,0B,0C,0D,0E
05	R267		-----	NRSA63D-472X	MG RESISTOR	(Addition)	1	01,02,03,04,05,06,07,08,09,0A,0B,0C,0D,0E
05	R268		-----	NRSA63J-0R0X	MG RESISTOR	(Addition)	1	01,02,03,04,05,06,07,08,09,0A,0B,0C,0D,0E
05	R309		-----	NRS125J-R47X	MG RESISTOR	(Addition)	1	01,02,03,04,05,06,07,08,09,0A,0B,0C,0D,0E
05	R310		-----	NRSA6AD-333W	MG RESISTOR	(Addition)	1	01,02,03,04,05,06,07,08,09,0A,0B,0C,0D,0E
05	R311		-----	NRSA63J-391X	MG RESISTOR	(Addition)	1	01,02,03,04,05,06,07,08,09,0A,0B,0C,0D,0E
05	R318		-----	NRSA63J-203X	MG RESISTOR	(Addition)	1	01,02,03,04,05,06,07,08,09,0A,0B,0C,0D,0E
05	R319		-----	NRSA6AD-622W	MG RESISTOR	(Addition)	1	01,02,03,04,05,06,07,08,09,0A,0B,0C,0D,0E
05	R323		-----	NRSA6AD-391W	MG RESISTOR	(Addition)	1	01,02,03,04,05,06,07,08,09,0A,0B,0C,0D,0E
05	R324		-----	NRSA63D-682X	MG RESISTOR	(Addition)	1	01,02,03,04,05,06,07,08,09,0A,0B,0C,0D,0E
05	R325		-----	NRSA63D-753X	MG RESISTOR	(Addition)	1	01,02,03,04,05,06,07,08,09,0A,0B,0C,0D,0E
05	R329		-----	NRS125J-R47X	MG RESISTOR	(Addition)	1	01,02,03,04,05,06,07,08,09,0A,0B,0C,0D,0E
05	R330		-----	NRSA63J-0R0X	MG RESISTOR	(Addition)	1	01,02,03,04,05,06,07,08,09,0A,0B,0C,0D,0E
05	R352		-----	NRSA6AD-102W	MG RESISTOR	(Addition)	1	01,02,03,04,05,06,07,08,09,0A,0B,0C,0D,0E
05	R357		-----	NRS125J-R22X	MG RESISTOR	(Addition)	1	01,02,03,04,05,06,07,08,09,0A,0B,0C,0D,0E
05	R359		-----	NRSA6AD-243W	MG RESISTOR	(Addition)	1	01,02,03,04,05,06,07,08,09,0A,0B,0C,0D,0E
05	R362		-----	NRSA63J-103X	MG RESISTOR	(Addition)	1	01,02,03,04,05,06,07,08,09,0A,0B,0C,0D,0E
05	R364		-----	NRSA63J-391X	MG RESISTOR	(Addition)	1	01,02,03,04,05,06,07,08,09,0A,0B,0C,0D,0E
05	R365		-----	NRSA6AD-103W	MG RESISTOR	(Addition)	1	01,02,03,04,05,06,07,08,09,0A,0B,0C,0D,0E
05	R366		-----	NRS125J-R22X	MG RESISTOR	(Addition)	1	01,02,03,04,05,06,07,08,09,0A,0B,0C,0D,0E
05	R367		-----	NRSA6AD-104W	MG RESISTOR	(Addition)	1	01,02,03,04,05,06,07,08,09,0A,0B,0C,0D,0E
05	R369		-----	NRS125J-R22X	MG RESISTOR	(Addition)	1	01,02,03,04,05,06,07,08,09,0A,0B,0C,0D,0E
05	R371		-----	NRSA63J-0R0X	MG RESISTOR	(Addition)	1	01,02,03,04,05,06,07,08,09,0A,0B,0C,0D,0E
05	R375		-----	NRSA6AD-152W	MG RESISTOR	(Addition)	1	01,02,03,04,05,06,07,08,09,0A,0B,0C,0D,0E
05	R376		-----	NRSA6AD-822W	MG RESISTOR	(Addition)	1	01,02,03,04,05,06,07,08,09,0A,0B,0C,0D,0E
05	R379		-----	NRSA63D-332X	MG RESISTOR	(Addition)	1	01,02,03,04,05,06,07,08,09,0A,0B,0C,0D,0E
05	R380		-----	NRSA63J-223X	MG RESISTOR	(Addition)	1	01,02,03,04,05,06,07,08,09,0A,0B,0C,0D,0E
05	R382		-----	NRSA6AD-102W	MG RESISTOR	(Addition)	1	01,02,03,04,05,06,07,08,09,0A,0B,0C,0D,0E
05	R383		-----	NRSA63J-223X	MG RESISTOR	(Addition)	1	01,02,03,04,05,06,07,08,09,0A,0B,0C,0D,0E
05	R384		-----	NRSA6AD-104W	MG RESISTOR	(Addition)	1	01,02,03,04,05,06,07,08,09,0A,0B,0C,0D,0E
05	R386		-----	NRSA6AD-184W	MG RESISTOR	(Addition)	1	01,02,03,04,05,06,07,08,09,0A,0B,0C,0D,0E
05	R387		-----	NRSA63D-473X	MG RESISTOR	(Addition)	1	01,02,03,04,05,06,07,08,09,0A,0B,0C,0D,0E
05	R391		-----	NRSA6AD-822W	MG RESISTOR	(Addition)	1	01,02,03,04,05,06,07,08,09,0A,0B,0C,0D,0E
05	R392		-----	NRSA63J-103X	MG RESISTOR	(Addition)	1	01,02,03,04,05,06,07,08,09,0A,0B,0C,0D,0E
05	R393		-----	NRSA6AD-103W	MG RESISTOR	(Addition)	1	01,02,03,04,05,06,07,08,09,0A,0B,0C,0D,0E
05	R394		-----	NRSA63J-273X	MG RESISTOR	(Addition)	1	01,02,03,04,05,06,07,08,09,0A,0B,0C,0D,0E
05	R397		-----	NRSA6AD-101W	MG RESISTOR	(Addition)	1	01,02,03,04,05,06,07,08,09,0A,0B,0C,0D,0E
05	R400		-----	NRSA6AD-153W	MG RESISTOR	(Addition)	1	01,02,03,04,05,06,07,08,09,0A,0B,0C,0D,0E
05	R402		-----	NRSA6AD-473W	MG RESISTOR	(Addition)	1	01,02,03,04,05,06,07,08,09,0A,0B,0C,0D,0E
05	R403		-----	NRSA63J-101X	MG RESISTOR	(Addition)	1	01,02,03,04,05,06,07,08,09,0A,0B,0C,0D,0E
05	R406		-----	NRS125J-R22X	MG RESISTOR	(Addition)	1	01,02,03,04,05,06,07,08,09,0A,0B,0C,0D,0E
05	R417		-----	NRSA63J-183X	MG RESISTOR	(Addition)	1	01,02,03,04,05,06,07,08,09,0A,0B,0C,0D,0E
05	R419		-----	NRSA63D-104X	MG RESISTOR	(Addition)	1	01,02,03,04,05,06,07,08,09,0A,0B,0C,0D,0E
05	R420		-----	NRSA6AD-184W	MG RESISTOR	(Addition)	1	01,02,03,04,05,06,07,08,09,0A,0B,0C,0D,0E
05	L302		-----	NQLJ6GK-100X	COIL	(Addition)	1	01,02,03,04,05,06,07,08,09,0A,0B,0C,0D,0E
05	L303		-----	NRSA02J-0R0X	MG RESISTOR	(Addition)	1	01,02,03,04,05,06,07,08,09,0A,0B,0C,0D,0E
05	CN1		-----	QGF0523F3-20W	CONNECTOR	(Addition)	1	01,02,03,04,05,06,07,08,09,0A,0B,0C,0D,0E
05	CN2		-----	QGA1002F1-03X	CONNECTOR	(Addition)	1	01,02,03,04,05,06,07,08,09,0A,0B,0C,0D,0E
05	CN101		-----	QGF0522F2-26W	CONNECTOR	(Addition)	1	01,02,03,04,05,06,07,08,09,0A,0B,0C,0D,0E
05	CN403		-----	QGF0534F3-50X	CONNECTOR	(Addition)	1	01,02,03,04,05,06,07,08,09,0A,0B,0C,0D,0E

△	Symbol	or	Part No.		Part Name	Description	Qty	Models
			<Rev.002>	<Rev.003>				
05	K101		-----	NQR0007-002X	FERRITE BEADS	(Addition)	1	01,02,03,04,05,06,07,08,09,0A,0B,0C,0D,0E
05	K102		-----	NQR0007-002X	FERRITE BEADS	(Addition)	1	01,02,03,04,05,06,07,08,09,0A,0B,0C,0D,0E
05	K103		-----	NQR0502-001X	FERRITE BEADS	(Addition)	1	01,02,03,04,05,06,07,08,09,0A,0B,0C,0D,0E
05	K108		-----	NQR0129-002X	FERRITE BEADS	(Addition)	1	01,02,03,04,05,06,07,08,09,0A,0B,0C,0D,0E
05	K113		-----	NQR0502-001X	FERRITE BEADS	(Addition)	1	01,02,03,04,05,06,07,08,09,0A,0B,0C,0D,0E
05	K114		-----	NRSA63J-0R0X	MG RESISTOR	(Addition)	1	01,02,03,04,05,06,07,08,09,0A,0B,0C,0D,0E
05	K115		-----	NRSA63J-0R0X	MG RESISTOR	(Addition)	1	01,02,03,04,05,06,07,08,09,0A,0B,0C,0D,0E
05	K117		-----	NRSA63J-0R0X	MG RESISTOR	(Addition)	1	01,02,03,04,05,06,07,08,09,0A,0B,0C,0D,0E
05	K118		-----	NRSA63J-0R0X	MG RESISTOR	(Addition)	1	01,02,03,04,05,06,07,08,09,0A,0B,0C,0D,0E
05	K119		-----	NRSA63J-0R0X	MG RESISTOR	(Addition)	1	01,02,03,04,05,06,07,08,09,0A,0B,0C,0D,0E
05	K120		-----	NRSA63J-0R0X	MG RESISTOR	(Addition)	1	01,02,03,04,05,06,07,08,09,0A,0B,0C,0D,0E
05	K121		-----	NRSA63J-0R0X	MG RESISTOR	(Addition)	1	01,02,03,04,05,06,07,08,09,0A,0B,0C,0D,0E
05	K131		-----	NQR0022-005X	FERRITE BEADS	(Addition)	1	01,02,03,04,05,06,07,08,09,0A,0B,0C,0D,0E
05	K132		-----	NQR0022-005X	FERRITE BEADS	(Addition)	1	01,02,03,04,05,06,07,08,09,0A,0B,0C,0D,0E
05	K133		-----	NQR0022-005X	FERRITE BEADS	(Addition)	1	01,02,03,04,05,06,07,08,09,0A,0B,0C,0D,0E
05	K135		-----	NQR0022-005X	FERRITE BEADS	(Addition)	1	01,02,03,04,05,06,07,08,09,0A,0B,0C,0D,0E
05	K136		-----	NQR0022-005X	FERRITE BEADS	(Addition)	1	01,02,03,04,05,06,07,08,09,0A,0B,0C,0D,0E
05	K137		-----	NRSA63J-0R0X	MG RESISTOR	(Addition)	1	01,02,03,04,05,06,07,08,09,0A,0B,0C,0D,0E
05	K141		-----	NRSA63J-0R0X	MG RESISTOR	(Addition)	1	01,02,03,04,05,06,07,08,09,0A,0B,0C,0D,0E
05	K142		-----	NRSA63J-0R0X	MG RESISTOR	(Addition)	1	01,02,03,04,05,06,07,08,09,0A,0B,0C,0D,0E
05	S1		-----	NSW0313-001X	DETECT SWITCH	(Addition)	1	01,02,03,04,05,06,07,08,09,0A,0B,0C,0D,0E
05	TH491		-----	NAD0025-103X	N THERMISTOR	(Addition)	1	01,02,03,04,05,06,07,08,09,0A,0B,0C,0D,0E
05	X351		-----	NAX0741-001X	CRYSTAL	(Addition)	1	01,02,03,04,05,06,07,08,09,0A,0B,0C,0D,0E



JVC

Victor Company of Japan, Limited

Mobile Entertainment Division 10-1,1chome,Ohwatari-machi,Maebashi-city,371-8543,Japan

(MA437-R003)

Printed in Japan
VSE

PARTS LIST

KD-ADV5580J,KD-DV5500J,KD-DV4504UI
 KD-DV4505U,KD-DV4505UN,KD-DV4505UT
 KD-DV4505A,KD-DV4506U,KD-DV4506UN
 KD-DV4506UT,KD-DV4506A,KD-DV4588UF
 KD-DV4505UH,KD-DV4506UH

MODEL	MARK	MODEL	MARK	MODEL	MARK
KD-ADV5580J	A	KD-DV5500J	B	KD-DV4504UI	C
KD-DV4505U	D	KD-DV4505UN	E	KD-DV4505UT	F
KD-DV4505A	G	KD-DV4506U	H	KD-DV4506UN	I
KD-DV4506UT	J	KD-DV4506A	K	KD-DV4588UF	L
KD-DV4505UH	M	KD-DV4506UH	N		

* All printed circuit boards and its assemblies are not available as service parts.

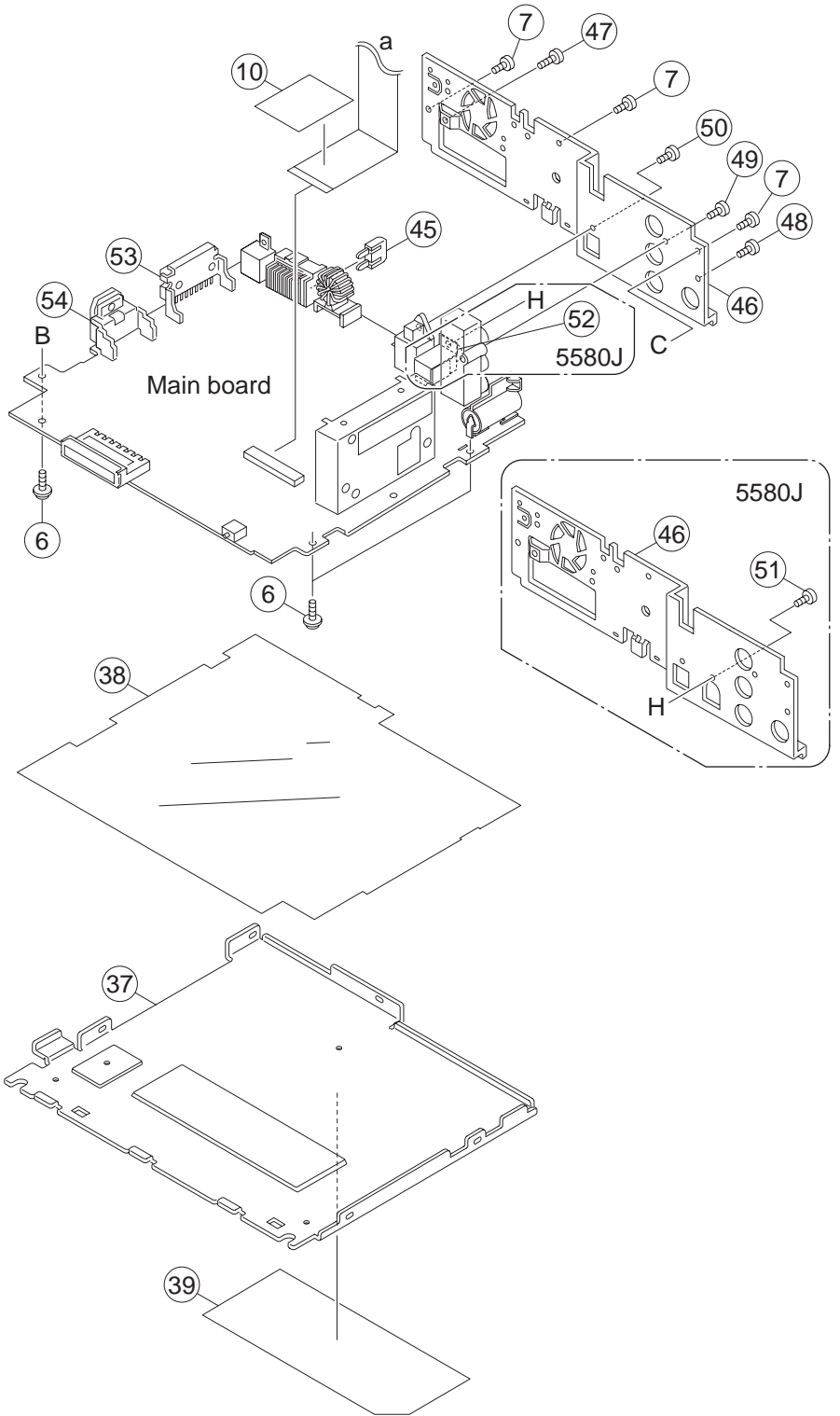
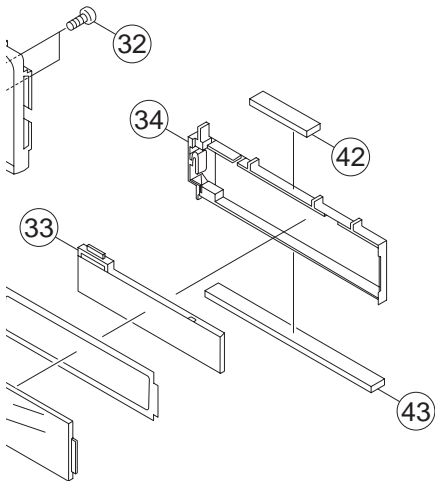
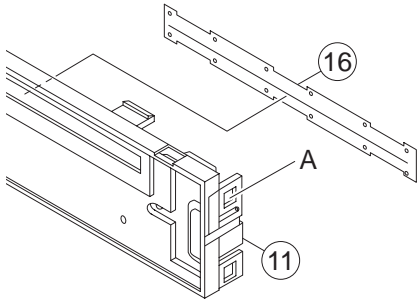
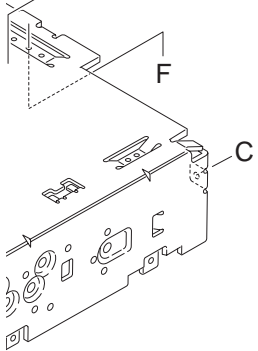
- Contents -

Exploded view of general assembly and parts list (Block No.M1) 3- 2
 old DVD mechanism assembly and parts list (Block No.MJ) 3- 6
 DVD mechanism assembly and parts list (Block No.MU) 3- 8
 Electrical parts list (Block No.01~05) 3-10
 Packing materials and accessories parts list (Block No.M3) 3-22

M M

5/4506UT

5580/5500J



The parts without symbol number are not service.

General Assembly

Block No. [M][1][M][M]

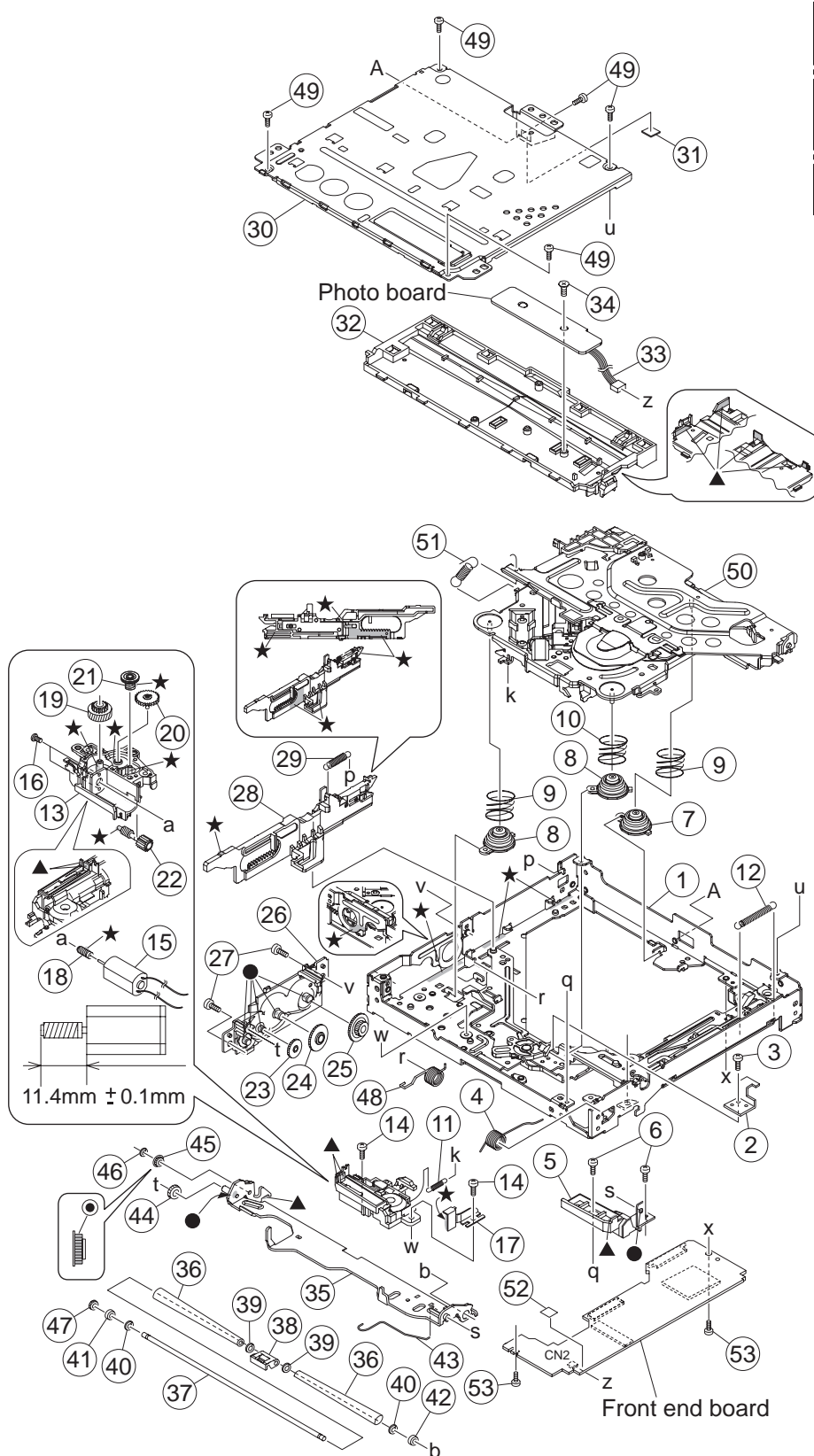
△	Symbol No.	Part No.	Part Name	Description	Local
	1	GE10221-001A	TOP CHASSIS		
	2	GE32927-002A	HEAT SINK		
	3	GE40377-003A	SCREW		
	4	QYSDST2604ZA	TAP SCREW	M2.6 x 4mm(x3)	
	5	GE40377-001A	SCREW	(x2)	
	6	GE40377-002A	SCREW	(x3)	
	7	QYSDST2604ZA	TAP SCREW	M2.6 x 4mm(x3)	
	8	LV41200-005A	SCREW	(x2)	
	9	GE40280-005A	SHEET		
	10	GE40280-006A	SHEET		
	11	GE10242-003A	FRONT CHASSIS		A,B,C,D,E,F,G,H,I,J,K,L
	11	GE10242-005A	FRONT CHASSIS		M,N
	12	GE32350-002A	LOCK LEVER		
	13	GE40368-002A	TORSION SPRING		
	14	GE32810-001A	RELEASE LEVER		
	15	GE30999-004A	COMP.SPRING		
	16	GE40432-001A	BLIND		
	17	GE10250-010A	FRONT PANEL		A,H,I,J,K,N
	17	GE10250-008A	FRONT PANEL		B,L
	17	GE10250-006A	FRONT PANEL		C,D,E,F,G,M
	18	GE33316-202A	RIM LENS		
	19	GE33342-034A	FINDER ASSY		A
	19	GE33342-028A	FINDER ASSY		B
	19	GE33342-031A	FINDER ASSY		C
	19	GE33342-029A	FINDER ASSY		D,E,F,G,M
	19	GE33342-030A	FINDER ASSY		H,I,J,K,N
	19	GE33342-032A	FINDER ASSY		L
	20	GE33307-001A	POWER BTN		
	21	GE33308-001A	EJECT BTN		
	22	GE33326-001A	DISP BTN		
	23	GE33327-001A	SRC BTN		
	24	GE33328-001A	MENU BTN		
	25	GE33315-003A	DETACH BTN		A,B,H,I,J,K,L,N
	25	GE33315-001A	DETACH BTN		C,D,E,F,G,M
	26	GE30999-006A	COMP.SPRING		
	27	GE33329-004A	NAVI BTN		A,B,H,I,J,K,L,N
	27	GE33329-001A	NAVI BTN		C,D,E,F,G,M
	28	GE33313-002A	NAVI BTN BASE		
	29	GE33320-003A	VOL KNOB		A
	29	GE33320-001A	VOL KNOB		B,C,D,E,F,G,L,M
	29	GE33320-002A	VOL KNOB		H,I,J,K,N
	30	GE40127-005A	KNOB SPRING		
	31	GE10244-001A	REAR COVER		
	32	VKZ4777-010	MINI SCREW	(x4)	
	33	GE33317-001A	LCD LENS		
	34	GE33318-001A	LENS CASE		
	35	GE33319-001A	LCD CASE		
	36	GE40440-002A	LIGHTING SHEET		
	37	GE32929-001A	BOTTOM COVER		
	38	GE32926-001A	INSULATOR		A,B,C,D,E,F,G,H,I,J,K,L
	38	GE32926-002A	INSULATOR		M,N
	39	GE33550-002A	NAME PLATE		A
	39	GE33553-001A	NAME PLATE		B
	39	GE33576-001A	NAME PLATE		C
	39	GE33556-001A	NAME PLATE		D,E,F,M
	39	GE33574-001A	NAME PLATE		G
	39	GE33559-001A	NAME PLATE		H,I,J,N
	39	GE33575-001A	NAME PLATE		K
	39	GE33562-001A	NAME PLATE		L
	40	GE40442-001A	FCC RULE LABEL		A,B
	41	QLD0568-001	LCD MODULE		
	42	QNZ1002-001	RUBBER CONNECTO		
	43	QNZ1003-001	RUBBER CONNECTO		
	44	QUQP05-5010AB-E	FFC WIRE	50pin 10cm	
△	45	QMFZ064-150-J1	FUSE	15A	
	46	GE32928-001A	REAR BRACKET		A
	46	GE32928-002A	REAR BRACKET		B,C,D,E,F,G,H,I,J,K,L,M,N
	47	QYSDST2606ZA	TAP SCREW	M2.6 x 6mm	
	48	QYSDST2606ZA	TAP SCREW	M2.6 x 6mm	
	49	QYSDSF2606ZA	TAP SCREW	M2.6 x 6mm	
	50	QYSDSF2606ZA	TAP SCREW	M2.6 x 6mm	
	51	QYSDST2604ZA	TAP SCREW	M2.6 x 4mm	A
	52	GE40424-002A	OE BRACKET		A
	53	LV43349-002A	POWER IC BKT		

△	Symbol No.	Part No.	Part Name	Description	Local
	54	GE40364-001A	REG IC BKT		
	55	GE31574-0B4A	UT LABEL		F
	55	GE31574-0B5A	UT LABEL		J
	56	LV45408-001A	LABEL(M2/R2)	This label is pasted when exchanging it for new Main board and new mecha.	

Old DVD mechanism assembly and parts list

FMU-XD3-11

Block No. **M** **J** **M** **M**



- Grease
- ★ = JVG-31N
 - ◎ = JVS-1003
 - ▲ = CFD-006ZR
 - = JC-803B
 - = 1401C
 - △ = G332

The parts without symbol number are not service.

Old DVD mechanism

Block No. [M][J][M][M]

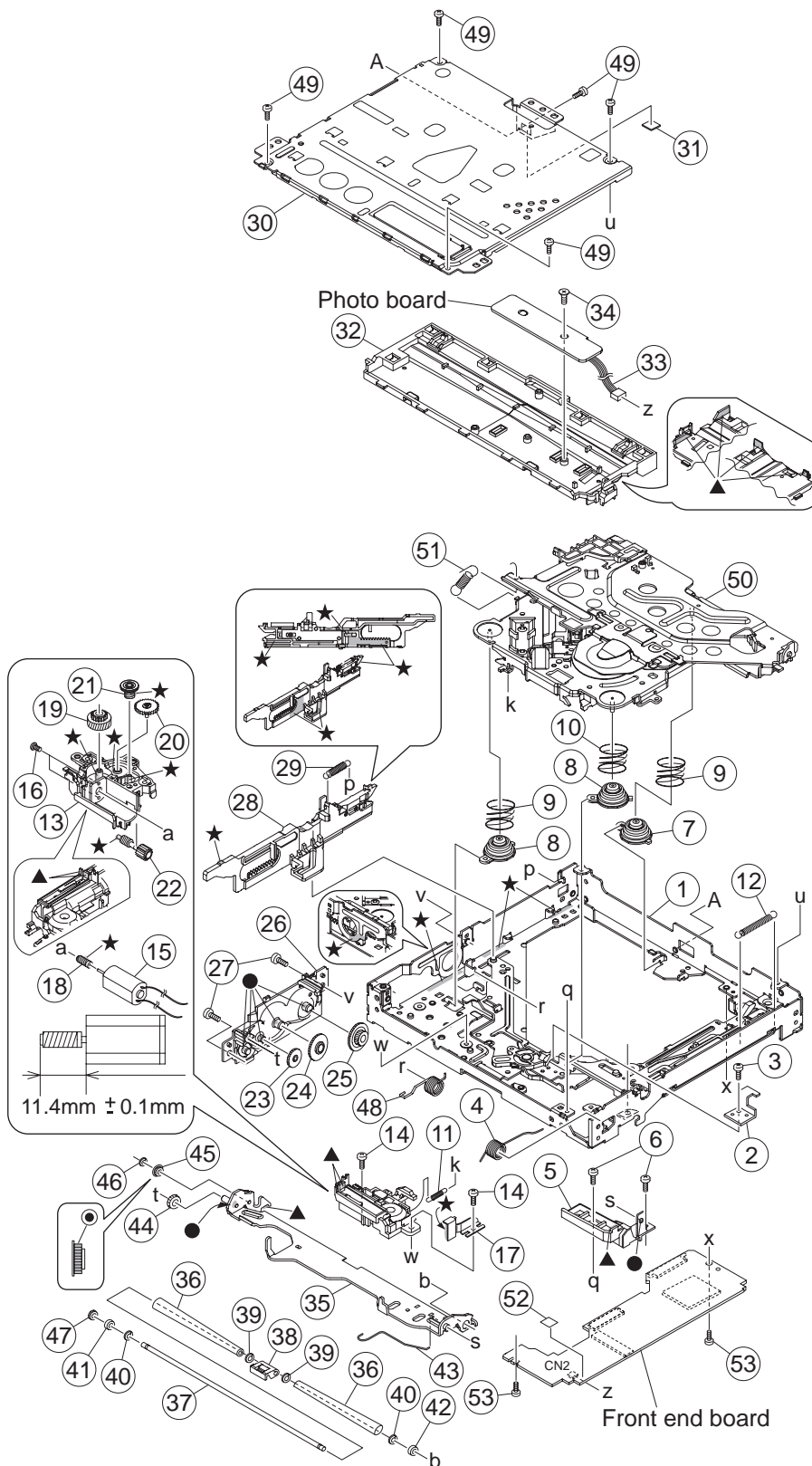
△	Symbol No.	Part No.	Part Name	Description	Local
	1	LV11434-007A	FRAME UNIT		
	2	LV45021-001A	STOPPER		
	3	LV44959-002A	SPECIAL SCREW		
	4	LV45249-002A	L A SPRING(R) 2		
	5	LV37639-002A	L ARM HOLDER		
	6	VKZ4539-054	MINI SCREW	(x2)	
	7	LV37640-001A	DAMPER(R)		
	8	LV37641-001A	DAMPER(F)	(x2)	
	9	LV45074-001A	DAMPER SPRING B	(x2)	
	10	LV45073-001A	DAMPER SPRING A		
	11	LV44897-002A	FLOATING SPRING		
	12	LV44894-001A	LOCK SLIDER SP.		
	13	LV11436-001A	MOTOR HOLDER		
	14	LV45135-001A	MINI TAP SCREW	(x2)	
	15	QAR0465-001	LOADING MOTOR		
	16	QYSPSPU1425MA	SCREW	M1.4 x 2.5mm(x2)	
	17	LV37642-001A	MOTOR TH SPRING		
	18	LV37643-001A	MOTOR WORM GEAR		
	19	LV37644-002A	M WHEEL GEAR		
	20	LV37645-002A	M CONNECT GEAR		
	21	LV37646-001A	A WORM GEAR		
	22	LV37647-001A	A WHEEL GEAR		
	23	LV37648-001A	ACT GEAR		
	24	LV37649-001A	A CONNECT GEAR		
	25	LV37650-001A	LOADING GEAR		
	26	LV22553-003A	GEAR BASE		
	27	VKZ4539-054	MINI SCREW	(x2)	
	28	LV37688-002A	SLIDE CAM ASSY		
	29	LV45090-001A	S.CAM SPRING		
	30	LV11437-003A	TOP COVER		
	31	LV45157-001A	SPACER		
	32	LV11600-001A	DISC PLATE 2		
	33	WJM0515-001A-E	E-SI C WIRE C-F		
	34	LV44586-001A	SPECIAL SCREW		
	35	LV22735-001A	LOADING ARM A2		
	36	LV44902-002A	ROLLER	(x2)	
	37	LV45244-001A	ROLLER SHAFT 2		
	38	LV37652-002A	SHAFT GUIDE		
	39	LV45252-001A	WASHER	(x2)	
	40	LV44960-001A	SLIT WASHER	(x2)	
	41	LV44904-001A	R COLLAR L		
	42	LV45221-001A	R COLLAR R2		
	43	LV45235-001A	L.ARM ROD		
	44	LV37653-001A	R CONNECT GEAR		
	45	LV37654-001A	R MIDDLE GEAR		
	46	QYWDL1735250	SLIT WASHER	3.5mm/1.7mm x 0.25mm	
	47	LV37655-001A	ROLLER GEAR		
	48	LV45248-001A	L.A.SPRING L2		
	49	VKZ4539-054	MINI SCREW	(x5)	
	50	CM-FMUXD3D	TRAMECHA UNIT		
	51	LV44910-002A	CLAMPER SPRING		
	52	LV45289-002A	SPACER(P)		
	53	VKZ4539-054	MINI SCREW	(x2)	

DVD mechanism assembly and parts list

FMU-XD3-12D

Block No. **M U M M**

Grease	
★	=JVG-31N
◎	=JVS-1003
▲	=CFD-006ZR
●	=JC-803B
■	=1401C
△	=G332



The parts without symbol number are not service.

DVD mechanism

Block No. [M][U][M][M]

△	Symbol No.	Part No.	Part Name	Description	Local
	1	LV11434-008A	FRAME UNIT		
	2	LV45021-001A	STOPPER		
	3	LV44959-002A	SPECIAL SCREW		
	4	LV45249-002A	L A SPRING(R) 2		
	5	LV37639-002A	L ARM HOLDER		
	6	VKZ4539-054	MINI SCREW	(x2)	
	7	LV37640-001A	DAMPER(R)		
	8	LV37641-001A	DAMPER(F)	(x2)	
	9	LV45074-001A	DAMPER SPRING B	(x2)	
	10	LV45073-001A	DAMPER SPRING A		
	11	LV44897-002A	FLOATING SPRING		
	12	LV44894-001A	LOCK SLIDER SPR		
	13	LV11436-001A	MOTOR HOLDER		
	14	LV45135-001A	MINI TAP SCREW	(x2)	
	15	QAR0465-001	LOADING MOTOR		
	16	QYSPSPU1425MA	SCREW	M1.4 x 2.5mm(x2)	
	17	LV37642-001A	MOTOR TH SPRING		
	18	LV37643-001A	MOTOR WORM GEAR		
	19	LV37644-002A	M WHEEL GEAR		
	20	LV37645-002A	M CONNECT GEAR		
	21	LV37646-001A	A WORM GEAR		
	22	LV37647-001A	A WHEEL GEAR		
	23	LV37648-001A	ACT GEAR		
	24	LV37649-001A	A CONNECT GEAR		
	25	LV37650-001A	LOADING GEAR		
	26	LV22553-003A	GEAR BASE		
	27	VKZ4539-054	MINI SCREW	(x2)	
	28	LV37688-002A	SLIDE CAM ASSY		
	29	LV45090-001A	S.CAM SPRING		
	30	LV11437-003A	TOP COVER		
	31	LV45157-001A	SPACER		
	32	LV11600-001A	DISC PLATE 2		
	33	WJM0515-001A-E	E-SI C WIRE C-F		
	34	LV44586-001A	SPECIAL SCREW		
	35	LV22735-001A	LOADING ARM A2		
	36	LV44902-002A	ROLLER	(x2)	
	37	LV45244-001A	ROLLER SHAFT 2		
	38	LV37652-002A	SHAFT GUIDE		
	39	LV45252-001A	WASHER	(x2)	
	40	LV44960-001A	SLIT WASHER	(x2)	
	41	LV44904-001A	ROLLER COLLAR L		
	42	LV45221-001A	R. COLLAR R2		
	43	LV45235-001A	L ARM ROD		
	44	LV37653-001A	CONNECT GEAR		
	45	LV37654-001A	MIDDLE GEAR		
	46	QYWDL1735250	SLIT WASHER	3.5mm/1.7mm x 0.25mm	
	47	LV37655-001A	ROLLER GEAR		
	48	LV45248-001A	L A SPRING(L) 2		
	49	VKZ4539-054	MINI SCREW	(x5)	
	50	CM-FMUXD3D	TRAMECHA UNIT		
	51	LV44910-002A	CLAMPER SPRING		
	52	LV45289-002A	SPACER(P)		
	53	VKZ4539-054	MINI SCREW	(x2)	

Electrical parts list

Old Main board (Exept 4505/4506UH)

Block No. [0][1]

△ Symbol No.	Part No.	Part Name	Description	Local
△ IC1	TEF6606T/V3-X	IC1		
IC161	BD3700FV-X	IC		
△ IC301	TB2926CHQ	IC		
IC361	NJM2160BV-X	IC		A
IC401	TC7SET08F-X	IC		
IC402	TOTX177L	OPT TRANSMITTER		
IC411	MM1510XN-X	IC		
IC471	NJM4565E-X	IC		
△ IC721	UPD78F1166GC1K	IC		
IC801	SN74AHCT126PW-X	IC(DIGITAL)		
△ IC911	R2S25400DS-E	IC		
△ IC921	BA33BC0FP-X	IC		
△ IC922	LV5749V-X	IC		
IC951	NJM2878F4-33-X	IC		
IC952	NJM2878F4-33-X	IC		
Q301	2SC1623A/5-6/-X	TRANSISTOR		
Q301	or 2SC3928A/QR/-X	TRANSISTOR		
Q321	IMX9-W	PAIR TRANSISTOR		
Q701	RT1N141C-X	DIGI TRANSISTOR		
Q701	or UN2211-X	TRANSISTOR		
Q702	RT1P141C-X	DIGI TRANSISTOR		
Q702	or UN2111-X	TRANSISTOR		
Q703	RT1N141C-X	DIGI TRANSISTOR		
Q703	or UN2211-X	TRANSISTOR		
Q704	RT1P141C-X	DIGI TRANSISTOR		
Q704	or UN2111-X	TRANSISTOR		
Q851	2SB1132/QR/-W	TRANSISTOR		C,D,E,F,G,H ,I,J,K,L
Q852	RT1N141C-X	DIGI TRANSISTOR		C,D,E,F,G,H ,I,J,K,L
Q852	or UN2211-X	TRANSISTOR		C,D,E,F,G,H ,I,J,K,L
Q861	RT1P141C-X	DIGI TRANSISTOR		
Q861	or UN2111-X	TRANSISTOR		
Q862	RT1P141C-X	DIGI TRANSISTOR		
Q862	or UN2111-X	TRANSISTOR		
Q885	RT1N141C-X	DIGI TRANSISTOR		
Q885	or UN2211-X	TRANSISTOR		
△ Q921	MCH6406-W	MOS TRANSISTOR		
△ Q922	MCH6406-W	MOS TRANSISTOR		
Q976	RT1N441C-X	TRANSISTOR		
Q976	or UN2213-X	DIGI TRANSISTOR		
Q977	2SA812A/5-6/-X	TRANSISTOR		
Q977	or ISA1530AC1/QR/X	TRANSISTOR		
D302	1SS355W-X	DIODE		
D302	or MA111-X	SI DIODE		
D322	MC2836-X	DIODE		
D322	or MA152WA-X	DIODE		
D401	MA22D23-X	SB DIODE		
D401	or RB160M-30-X	SB DIODE		
D401	or CRS03-W	SB DIODE		
D701	UDZW6.2B-X	Z DIODE		
D701	or MA8062/M/-X	Z DIODE		
D702	UDZW6.2B-X	Z DIODE		
D702	or MA8062/M/-X	Z DIODE		
D703	UDZW6.2B-X	Z DIODE		
D703	or MA8062/M/-X	Z DIODE		
D704	UDZW6.2B-X	Z DIODE		
D704	or MA8062/M/-X	Z DIODE		
D711	UDZW6.2B-X	Z DIODE		A
D711	or MA8062/M/-X	Z DIODE		A
D851	MA22D23-X	SB DIODE		C,D,E,F,G,H ,I,J,K,L
D851	or CRS03-W	SB DIODE		C,D,E,F,G,H ,I,J,K,L
D851	or RB160M-30-X	SB DIODE		C,D,E,F,G,H ,I,J,K,L
D852	MA22D39-X	SB DIODE		C,D,E,F,G,H ,I,J,K,L
D861	1SS355W-X	DIODE		

△ Symbol No.	Part No.	Part Name	Description	Local
D861	or MA111-X	SI DIODE		
D862	1SS355W-X	DIODE		
D862	or MA111-X	SI DIODE		
D863	UDZW11B-X	Z DIODE		
D863	or MA8110/M/-X	Z DIODE		
D885	1SS355W-X	DIODE		
D885	or MA111-X	SI DIODE		
D901	1N5401-F64	SI DIODE		
D901	or 1N5401-TU-15	SI DIODE		
D911	1SS355W-X	DIODE		
D911	or MA111-X	SI DIODE		
D922	MA22D23-X	SB DIODE		
D922	or CRS03-W	SB DIODE		
D922	or RB160M-30-X	SB DIODE		
D961	MA22D23-X	SB DIODE		
D961	or RB160M-30-X	SB DIODE		
D961	or CRS03-W	SB DIODE		
D962	MA22D23-X	SB DIODE		
D962	or RB160M-30-X	SB DIODE		
D962	or CRS03-W	SB DIODE		
D963	MA22D23-X	SB DIODE		
D963	or RB160M-30-X	SB DIODE		
D963	or CRS03-W	SB DIODE		
D964	MA22D23-X	SB DIODE		
D964	or RB160M-30-X	SB DIODE		
D964	or CRS03-W	SB DIODE		
D965	MA22D23-X	SB DIODE		
D965	or RB160M-30-X	SB DIODE		
D965	or CRS03-W	SB DIODE		
D974	UDZW5.1B-X	SB DIODE		
D974	or MA8051/M/-X	Z DIODE		
D981	MA22D23-X	SB DIODE		
D981	or CRS03-W	SB DIODE		
D981	or RB160M-30-X	SB DIODE		
D982	MA22D39-X	SB DIODE		
C1	NCB31HK-102X	C CAPACITOR	1000pF 50V K	
C2	NDC31HJ-7R0X	C CAPACITOR	7pF 50V J	
C3	NCB31HK-102X	C CAPACITOR	1000pF 50V K	
C4	NCB31CK-224X	C CAPACITOR	0.22uF 16V K	
C5	NDC31HJ-150X	C CAPACITOR	15pF 50V J	
C6	NDC31HJ-5R6X	C CAPACITOR	5.6pF 50V J	
C7	NDC31HJ-220X	C CAPACITOR	22pF 50V J	
C8	NCBA1CK-103W	C CAPACITOR	0.01uF 16V K	
C9	NCB31CK-105X	C CAPACITOR	1uF 16V K	
C10	NCB31CK-105X	C CAPACITOR	1uF 16V K	
C11	NCBA1CK-103W	C CAPACITOR	0.01uF 16V K	
C12	NCBA1CK-103W	C CAPACITOR	0.01uF 16V K	
C14	NCB31CK-224X	C CAPACITOR	0.22uF 16V K	
C15	NCBA1AK-104W	C CAPACITOR	0.1uF 10V K	
C16	NCBA1CK-103W	C CAPACITOR	0.01uF 16V K	
C17	NCBA1AK-104W	C CAPACITOR	0.1uF 10V K	
C18	NCBA1CK-103W	C CAPACITOR	0.01uF 16V K	
C19	NCBA1AK-104W	C CAPACITOR	0.1uF 10V K	
C20	NCBA1CK-103W	C CAPACITOR	0.01uF 16V K	
C21	NCBA1AK-104W	C CAPACITOR	0.1uF 10V K	
C22	NDC31HJ-150X	C CAPACITOR	15pF 50V J	
C25	NCJ21CK-106X-R	C CAPACITOR	10uF 16V K	
C26	QEKJ1CM-107Z	E CAPACITOR	100uF 16V M	
C162	QTE1H64-225Z	E CAPACITOR	2.2uF 50V	
C167	NCB21CK-105X	C CAPACITOR	1uF 16V K	
C168	NCB21CK-105X	C CAPACITOR	1uF 16V K	
C172	QTE1H64-225Z	E CAPACITOR	2.2uF 50V	
C176	NCB21CK-105X	C CAPACITOR	1uF 16V K	
C177	NCB21CK-105X	C CAPACITOR	1uF 16V K	
C178	NCB21CK-105X	C CAPACITOR	1uF 16V K	
C181	QEKJ1CM-476Z	E CAPACITOR	47uF 16V M	
C182	QEKJ1CM-107Z	E CAPACITOR	100uF 16V M	
C183	NCBA1CK-104W	C CAPACITOR	0.1uF 10V K	
C301	QFV91HJ-474Z	MF CAPACITOR	0.47uF 50V J	
C302	QFV91HJ-474Z	MF CAPACITOR	0.47uF 50V J	
C303	NDCA1HJ-101W	C CAPACITOR	100pF 50V J	
C304	NDCA1HJ-101W	C CAPACITOR	100pF 50V J	
C309	NCB31CK-105X	C CAPACITOR	1uF 16V K	
C310	NCB31CK-105X	C CAPACITOR	1uF 16V K	
C311	QFV91HJ-474Z	MF CAPACITOR	0.47uF 50V J	

△ Symbol No.	Part No.	Part Name	Description	Local	△ Symbol No.	Part No.	Part Name	Description	Local
C312	QFV91HJ-474Z	MF CAPACITOR	0.47uF 50V J		C919	QEKJ1CM-226Z	E CAPACITOR	22uF 16V M	
C313	NDCA1HJ-101W	C CAPACITOR	100pF 50V J		C920	NCBA1CK-473W	C CAPACITOR	0.047uF 16V K	
C314	NDCA1HJ-101W	C CAPACITOR	100pF 50V J		C921	NCBA1AK-104W	C CAPACITOR	0.1uF 10V K	
C315	NCB31EK-223X	C CAPACITOR	0.022uF 25V K		C923	QEKJ1CM-107Z	E CAPACITOR	100uF 16V M	
C316	QTE1C57-476Z	E CAPACITOR	47uF 16V		C924	NCBA1AK-104W	C CAPACITOR	0.1uF 10V K	
C317	NCB21AK-225X-A	C CAPACITOR	2.2uF 10V K		C925	NCBA1AK-104W	C CAPACITOR	0.1uF 10V K	
C318	QEKJ1CM-226Z	E CAPACITOR	22uF 16V M		C926	NCB31AK-105X	C CAPACITOR	1uF 10V K	
C319	NCB31EK-223X	C CAPACITOR	0.022uF 25V K		C927	NCBA1AK-104W	C CAPACITOR	0.1uF 10V K	
C321	NCBA1CK-223W	C CAPACITOR	0.022uF 16V K		C928	NCBA1HK-102W	C CAPACITOR	1000pF 50V K	
C322	NCBA1CK-223W	C CAPACITOR	0.022uF 16V K		C929	NDC31HJ-681X	C CAPACITOR	680pF 50V J	
C323	NDCA1HJ-101W	C CAPACITOR	100pF 50V J		C930	NCB31AK-105X	C CAPACITOR	1uF 10V K	
C324	QEKJ1HM-475Z	E CAPACITOR	4.7uF 50V M		C931	NCJ11EK-106X-A	C CAPACITOR	10uF 25V K	
C333	NDCA1HJ-101W	C CAPACITOR	100pF 50V J		C932	NCJ11EK-106X-A	C CAPACITOR	10uF 25V K	
C334	QEKJ1HM-475Z	E CAPACITOR	4.7uF 50V M		C933	NCB10JK-106X-A	C CAPACITOR	10uF 6.3V K	
C383	QEKJ1HM-475Z	E CAPACITOR	4.7uF 50V M	A	C934	NCB10JK-106X-A	C CAPACITOR	10uF 6.3V K	
C384	QEKJ1HM-475Z	E CAPACITOR	4.7uF 50V M	A	C935	QEZ0595-477Z	E CAPACITOR	470uF 25V M	
C385	NCBA1CK-104W	C CAPACITOR	0.1uF 16V K	A	C951	NCBA1AK-104W	C CAPACITOR	0.1uF 10V K	
C386	NCBA1CK-104W	C CAPACITOR	0.1uF 16V K	A	C953	NCBA1AK-104W	C CAPACITOR	0.1uF 10V K	
C387	NCB31HK-152X	C CAPACITOR	1500pF 50V K	A	C961	QEKJ1CM-476Z	E CAPACITOR	47uF 16V M	
C388	NCB31HK-152X	C CAPACITOR	1500pF 50V K	A	C962	NCBA1AK-473W	C CAPACITOR	0.047uF 10V K	
C389	QEKJ1CM-107Z	E CAPACITOR	100uF 16V M	A	C963	QEKJ0JM-337Z	E CAPACITOR	330uF 6.3V M	
C390	QEKJ1CM-107Z	E CAPACITOR	100uF 16V M	A	C964	NCBA1AK-473W	C CAPACITOR	0.047uF 10V K	
C392	QEKJ0JM-476Z	E CAPACITOR	47uF 6.3V M	A	C966	NCBA1CK-103W	C CAPACITOR	0.01uF 16V K	
C401	NDCA1HJ-220W	C CAPACITOR	22pF 50V J		C967	NCBA1AK-473W	C CAPACITOR	0.047uF 10V K	
C402	NCBA1CK-103W	C CAPACITOR	0.01uF 16V K		C974	NCB31HK-102X	C CAPACITOR	1000pF 50V K	
C403	NCBA1CK-103W	C CAPACITOR	0.01uF 16V K		C975	QEKJ1AM-227Z	E CAPACITOR	220uF 10V M	
C404	QEKJ1CM-107Z	E CAPACITOR	100uF 16V M		C981	NCBA1CK-104W	C CAPACITOR	0.1uF 16V K	
C405	NDC31HJ-220X	C CAPACITOR	22pF 50V J						
C406	NCBA1CK-103W	C CAPACITOR	0.01uF 16V K		R1	NRSA63J-474X	MG RESISTOR	470kΩ 1/16W J	
C411	QEKJ1AM-227Z	E CAPACITOR	220uF 10V M		R2	NRSA63J-474X	MG RESISTOR	470kΩ 1/16W J	
C412	NCBA1AK-473W	C CAPACITOR	0.047uF 10V K		R3	NRSA63J-101X	MG RESISTOR	100Ω 1/16W J	
C413	QCZ0202-155Z	C CAPACITOR	1.5uF 25V Z		R4	NRSA6AJ-472W	MG RESISTOR	4.7kΩ 1/16W J	
C414	QEKJ0JM-337Z	E CAPACITOR	330uF 6.3V M		R5	NRSA63J-220X	MG RESISTOR	22Ω 1/16W J	
C471	QTE1H57-225Z	E CAPACITOR	2.2uF 50V		R6	NRSA6AJ-472W	MG RESISTOR	4.7kΩ 1/16W J	
C472	QTE0J57-476Z	E CAPACITOR	47uF 6.3V		R7	NRSA6AJ-472W	MG RESISTOR	4.7kΩ 1/16W J	
C473	NDC31HJ-680X	C CAPACITOR	68pF 50V J		R8	NRSA6AJ-752W	MG RESISTOR	7.5kΩ 1/16W J	A,B
C474	NDC31HJ-560X	C CAPACITOR	56pF 50V J		R8	NRSA6AJ-682W	MG RESISTOR	6.8kΩ 1/16W J	C,D,E,F,G,H I,J,K,L
C475	NCBA1CK-104W	C CAPACITOR	0.1uF 16V K		R9	NRSA6AJ-752W	MG RESISTOR	7.5kΩ 1/16W J	A,B
C476	QEKJ1CM-107Z	E CAPACITOR	100uF 16V M		R9	NRSA6AJ-682W	MG RESISTOR	6.8kΩ 1/16W J	A,B C,D,E,F,G,H I,J,K,L
C481	QTE1H57-225Z	E CAPACITOR	2.2uF 50V						
C482	QTE0J57-476Z	E CAPACITOR	47uF 6.3V		R10	NRSA6AJ-392W	MG RESISTOR	3.9kΩ 1/16W J	A,B
C483	NDC31HJ-680X	C CAPACITOR	68pF 50V J		R10	NRSA6AJ-822W	MG RESISTOR	8.2kΩ 1/16W J	C,D,E,F,G,H I,J,K,L
C484	NDC31HJ-560X	C CAPACITOR	56pF 50V J						
C701	NCBA1AK-104W	C CAPACITOR	0.1uF 10V K		R11	NRSA6AJ-392W	MG RESISTOR	3.9kΩ 1/16W J	A,B
C702	NCBA1CK-104W	C CAPACITOR	0.1uF 16V K		R11	NRSA6AJ-822W	MG RESISTOR	8.2kΩ 1/16W J	C,D,E,F,G,H I,J,K,L
C703	NCBA1AK-104W	C CAPACITOR	0.1uF 10V K						
C711	NDCA1HJ-101W	C CAPACITOR	100pF 50V J	A	R12	NRS181J-4R7X	MG RESISTOR	4.7Ω 1/8W J	
C731	NCB31HK-102X	C CAPACITOR	1000pF 50V K		R161	NRSA6AJ-224W	MG RESISTOR	220kΩ 1/16W J	
C741	NDC31HJ-270X	C CAPACITOR	27pF 50V J		R162	NRSA6AJ-393W	MG RESISTOR	39kΩ 1/16W J	
C742	NDC31HJ-220X	C CAPACITOR	22pF 50V J		R163	NRSA6AJ-393W	MG RESISTOR	39kΩ 1/16W J	
C743	NCB31CK-105X	C CAPACITOR	1uF 16V K		R303	NRSA6AJ-473W	MG RESISTOR	47kΩ 1/16W J	
C744	NDC31HJ-120X	C CAPACITOR	12pF 50V J		R304	NRSA6AJ-473W	MG RESISTOR	47kΩ 1/16W J	
C745	NDC31HJ-120X	C CAPACITOR	12pF 50V J		R305	NRSA63J-103X	MG RESISTOR	10kΩ 1/16W J	
C746	QEKJ0JM-337Z	E CAPACITOR	330uF 6.3V M		R307	NRSA63J-473X	MG RESISTOR	47kΩ 1/16W J	
C747	QEKJ0JM-337Z	E CAPACITOR	330uF 6.3V M		R308	NRSA63J-103X	MG RESISTOR	10kΩ 1/16W J	
C749	NCBA1AK-473W	C CAPACITOR	0.047uF 10V K		R309	NRSA6AJ-472W	MG RESISTOR	4.7kΩ 1/16W J	
C801	NDC31HJ-220X	C CAPACITOR	22pF 50V J		R310	NRS181J-100X	MG RESISTOR	10Ω 1/8W J	
C802	NCBA1AK-473W	C CAPACITOR	0.047uF 10V K		R313	NRSA6AJ-473W	MG RESISTOR	47kΩ 1/16W J	
C803	QEKJ1HM-225Z	E CAPACITOR	2.2uF 50V M		R314	NRSA6AJ-473W	MG RESISTOR	47kΩ 1/16W J	
C804	QEKJ1HM-225Z	E CAPACITOR	2.2uF 50V M		R321	NRSA6AJ-101W	MG RESISTOR	100Ω 1/16W J	
C851	QEKJ1EM-106Z	E CAPACITOR	10uF 25V M	C,D,E,F,G,H I,J,K,L	R322	NRSA6AJ-102W	MG RESISTOR	1kΩ 1/16W J	
C852	NCB31CK-224X	C CAPACITOR	0.22uF 16V K	C,D,E,F,G,H I,J,K,L	R323	NRSA6AJ-473W	MG RESISTOR	47kΩ 1/16W J	
C861	QEKJ0JM-476Z	E CAPACITOR	47uF 6.3V M		R324	NRSA6AJ-222W	MG RESISTOR	2.2kΩ 1/16W J	
C862	QEKJ1CM-107Z	E CAPACITOR	100uF 16V M		R331	NRSA6AJ-101W	MG RESISTOR	100Ω 1/16W J	
C885	NCB31CK-105X	C CAPACITOR	1uF 16V K		R332	NRSA6AJ-102W	MG RESISTOR	1kΩ 1/16W J	
△ C901	QEZ0869-278	E CAPACITOR	2700uF		R333	NRSA6AJ-473W	MG RESISTOR	47kΩ 1/16W J	
C902	NCB31EK-104X	C CAPACITOR	0.1uF 25V K		R334	NRSA6AJ-222W	MG RESISTOR	2.2kΩ 1/16W J	
C903	QEKJ1HM-225Z	E CAPACITOR	2.2uF 50V M		R361	NRSA6AJ-102W	MG RESISTOR	1kΩ 1/16W J	A
C910	NCBA1CK-104W	C CAPACITOR	0.1uF 16V K		R362	NRSA6AJ-102W	MG RESISTOR	1kΩ 1/16W J	A
C911	QEKJ1EM-106Z	E CAPACITOR	10uF 25V M		R363	NRSA6AJ-104W	MG RESISTOR	100kΩ 1/16W J	A
C912	QEKJ1CM-107Z	E CAPACITOR	100uF 16V M		R364	NRSA6AJ-104W	MG RESISTOR	100kΩ 1/16W J	A
C913	QEKJ1CM-476Z	E CAPACITOR	47uF 16V M		R365	NRSA6AJ-223W	MG RESISTOR	22kΩ 1/16W J	A
C914	NCBA1CK-103W	C CAPACITOR	0.01uF 16V K		R366	NRSA6AJ-223W	MG RESISTOR	22kΩ 1/16W J	A
C915	QEKJ1CM-107Z	E CAPACITOR	100uF 16V M		R367	NRSA6AJ-333W	MG RESISTOR	33kΩ 1/16W J	A
C916	QEKJ1CM-107Z	E CAPACITOR	100uF 16V M		R368	NRSA6AJ-333W	MG RESISTOR	33kΩ 1/16W J	A
C917	NCBA1CK-104W	C CAPACITOR	0.1uF 16V K		R371	NRSA6AJ-0R0W	MG RESISTOR	0Ω 1/16W J	B,C,D,E,F,G H,I,J,K,L

△ Symbol No.	Part No.	Part Name	Description	Local	△ Symbol No.	Part No.	Part Name	Description	Local
R372	NRSA6AJ-0R0W	MG RESISTOR	0Ω 1/16W J	B,C,D,E,F,G ,H,I,J,K,L	R790	NRSA6AJ-393W	MG RESISTOR	39kΩ 1/16W J	
R401	NRSA6AJ-471W	MG RESISTOR	470Ω 1/16W J		R791	NRSA6AJ-473W	MG RESISTOR	47kΩ 1/16W J	
R402	NRSA6AJ-100W	MG RESISTOR	10Ω 1/16W J		R793	NRSA6AJ-222W	MG RESISTOR	2.2kΩ 1/16W J	
R403	NRSA6AJ-471W	MG RESISTOR	470Ω 1/16W J		R795	NRSA6AJ-0R0W	MG RESISTOR	0Ω 1/16W J	
R404	NRSA6AJ-1R0W	MG RESISTOR	1Ω 1/16W J		R796	NRSA6AJ-101W	MG RESISTOR	100Ω 1/16W J	
R412	NRSA6AD-222W	MG RESISTOR	2.2kΩ 1/16W D		R797	NRSA6AJ-101W	MG RESISTOR	100Ω 1/16W J	
R413	NRSA6AD-181W	MG RESISTOR	180Ω 1/16W D		R798	NRSA6AJ-472W	MG RESISTOR	4.7kΩ 1/16W J	
R414	NRSA6AJ-102W	MG RESISTOR	1kΩ 1/16W J		R799	NRSA6AJ-102W	MG RESISTOR	1kΩ 1/16W J	
R415	NRSA6AJ-750W	MG RESISTOR	75Ω 1/16W J		R801	NRSA6AJ-0R0W	MG RESISTOR	0Ω 1/16W J	
R417	NRSA6AJ-100W	MG RESISTOR	10Ω 1/16W J		R802	NRSA6AJ-104W	MG RESISTOR	100kΩ 1/16W J	
R471	NRSA6AJ-224W	MG RESISTOR	220kΩ 1/16W J		R803	NRSA6AJ-682W	MG RESISTOR	6.8kΩ 1/16W J	
R472	NRSA6AJ-473W	MG RESISTOR	47kΩ 1/16W J		R804	NRSA6AJ-392W	MG RESISTOR	3.9kΩ 1/16W J	
R473	NRSA6AJ-473W	MG RESISTOR	47kΩ 1/16W J		R805	NRSA6AJ-473W	MG RESISTOR	47kΩ 1/16W J	
R474	NRSA6AJ-203W	MG RESISTOR	20kΩ 1/16W J		R806	NRSA6AJ-101W	MG RESISTOR	100Ω 1/16W J	
R475	NRSA6AJ-103W	MG RESISTOR	10kΩ 1/16W J		R807	NRSA6AJ-104W	MG RESISTOR	100kΩ 1/16W J	
R476	NRSA6AJ-103W	MG RESISTOR	10kΩ 1/16W J		R808	NRSA6AJ-101W	MG RESISTOR	100Ω 1/16W J	
R477	NRSA6AJ-103W	MG RESISTOR	10kΩ 1/16W J		R809	NRSA6AJ-473W	MG RESISTOR	47kΩ 1/16W J	
R481	NRSA6AJ-224W	MG RESISTOR	220kΩ 1/16W J		R810	NRSA6AJ-392W	MG RESISTOR	3.9kΩ 1/16W J	
R482	NRSA6AJ-473W	MG RESISTOR	47kΩ 1/16W J		R811	NRSA6AJ-682W	MG RESISTOR	6.8kΩ 1/16W J	
R483	NRSA6AJ-473W	MG RESISTOR	47kΩ 1/16W J		R812	NRSA6AJ-104W	MG RESISTOR	100kΩ 1/16W J	
R484	NRSA6AJ-203W	MG RESISTOR	20kΩ 1/16W J		R813	NRSA6AJ-103W	MG RESISTOR	10kΩ 1/16W J	
R485	NRSA6AJ-103W	MG RESISTOR	10kΩ 1/16W J		R814	NRSA6AJ-103W	MG RESISTOR	10kΩ 1/16W J	
R486	NRSA6AJ-103W	MG RESISTOR	10kΩ 1/16W J		R851	NRSA6AJ-472W	MG RESISTOR	4.7kΩ 1/16W J	C,D,E,F,G,H ,I,J,K,L
R487	NRSA6AJ-103W	MG RESISTOR	10kΩ 1/16W J		R852	NRSA6AJ-473W	MG RESISTOR	47kΩ 1/16W J	C,D,E,F,G,H ,I,J,K,L
R701	NRSA63J-471X	MG RESISTOR	470Ω 1/16W J		R853	NRS181J-102X	MG RESISTOR	1kΩ 1/8W J	C,D,E,F,G,H ,I,J,K,L
R702	NRSA6AJ-392W	MG RESISTOR	3.9kΩ 1/16W J						
R703	NRSA6AJ-562W	MG RESISTOR	5.6kΩ 1/16W J		R861	NRSA6AJ-471W	MG RESISTOR	470Ω 1/16W J	
R704	NRSA6AJ-271W	MG RESISTOR	270Ω 1/16W J		R885	NRSA6AJ-223W	MG RESISTOR	22kΩ 1/16W J	
R705	NRSA6AJ-271W	MG RESISTOR	270Ω 1/16W J		R886	NRSA6AJ-153W	MG RESISTOR	15kΩ 1/16W J	
R711	NRSA6AJ-271W	MG RESISTOR	270Ω 1/16W J	A	R887	NRSA6AJ-103W	MG RESISTOR	10kΩ 1/16W J	
R731	NRSA6AJ-101W	MG RESISTOR	100Ω 1/16W J		R901	QRE142J-102X	C RESISTOR	1kΩ 1/4W J	
R732	NRSA6AJ-473W	MG RESISTOR	47kΩ 1/16W J		R902	NRS181J-912X	MG RESISTOR	9.1kΩ 1/8W J	
R733	NRSA6AJ-152W	MG RESISTOR	1.5kΩ 1/16W J		R903	NRSA63J-472X	MG RESISTOR	4.7kΩ 1/16W J	
R734	NRSA6AJ-152W	MG RESISTOR	1.5kΩ 1/16W J		R912	NRSA6AJ-0R0W	MG RESISTOR	0Ω 1/16W J	
R735	NRSA6AJ-103W	MG RESISTOR	10kΩ 1/16W J		R921	NRSA63D-152X	MG RESISTOR	1.5kΩ 1/16W D	
R736	NRSA6AJ-103W	MG RESISTOR	10kΩ 1/16W J		R922	NRSA63D-103X	MG RESISTOR	10kΩ 1/16W D	
R737	NRSA6AJ-104W	MG RESISTOR	100kΩ 1/16W J		R923	NRSA63J-244X	MG RESISTOR	240kΩ 1/16W J	
R738	NRSA6AJ-104W	MG RESISTOR	100kΩ 1/16W J		R924	NRSA63J-202X	MG RESISTOR	2kΩ 1/16W J	
R739	NRSA6AJ-472W	MG RESISTOR	4.7kΩ 1/16W J		R925	NRSA63J-102X	MG RESISTOR	1kΩ 1/16W J	
R740	NRSA6AJ-472W	MG RESISTOR	4.7kΩ 1/16W J		R926	NRSA63J-682X	MG RESISTOR	6.8kΩ 1/16W J	
R741	NRSA6AJ-473W	MG RESISTOR	47kΩ 1/16W J		R927	NRSA63J-474X	MG RESISTOR	470kΩ 1/16W J	
R743	NRSA6AJ-472W	MG RESISTOR	4.7kΩ 1/16W J		R928	NRS181J-100X	MG RESISTOR	10Ω 1/8W J	
R744	NRSA6AJ-472W	MG RESISTOR	4.7kΩ 1/16W J		R929	NRS181J-100X	MG RESISTOR	10Ω 1/8W J	
R745	NRSA6AJ-103W	MG RESISTOR	10kΩ 1/16W J	A,B	R961	NRSA6AJ-101W	MG RESISTOR	100Ω 1/16W J	
R746	NRSA6AJ-103W	MG RESISTOR	10kΩ 1/16W J	B,C,D,E,F,G ,H,I,J,K,L	R972	NRS181J-221X	MG RESISTOR	220Ω 1/8W J	
R747	NRSA6AJ-103W	MG RESISTOR	10kΩ 1/16W J		R976	NRSA63J-563X	MG RESISTOR	56kΩ 1/16W J	
R748	NRSA6AJ-331W	MG RESISTOR	330Ω 1/16W J		R977	NRSA63J-183X	MG RESISTOR	18kΩ 1/16W J	
R749	NRSA6AJ-331W	MG RESISTOR	330Ω 1/16W J		R981	NRS181J-332X	MG RESISTOR	3.3kΩ 1/8W J	
R750	NRSA6AJ-152W	MG RESISTOR	1.5kΩ 1/16W J		L1	NQL093K-R47X	COIL	0.47uH K	
R751	NRSA6AJ-432W	MG RESISTOR	4.3kΩ 1/16W J		L2	NQL093K-1R8X	COIL	1.8uH K	
R752	NRSA6AJ-0R0W	MG RESISTOR	0Ω 1/16W J		L3	QQL213M-R22Z	COIL	0.22uH M	
R754	NRSA6AJ-222W	MG RESISTOR	2.2kΩ 1/16W J		L4	QQR1813-001	COIL		
R755	NRSA6AJ-222W	MG RESISTOR	2.2kΩ 1/16W J		L5	NQL114K-561X	P COIL	560uH K	
R756	NRSA6AJ-222W	MG RESISTOR	2.2kΩ 1/16W J		L6	NQL114K-561X	P COIL	560uH K	
R757	NRSA6AJ-224W	MG RESISTOR	220kΩ 1/16W J		L7	NQL79GM-4R7X	COIL	4.7uH M	
R758	NRSA6AJ-224W	MG RESISTOR	220kΩ 1/16W J		L8	QQL244J-4R7Z	P COIL	4.7uH J	
R760	NRSA6AJ-222W	MG RESISTOR	2.2kΩ 1/16W J	A	L9	NQL093K-R47X	COIL	0.47uH K	
R761	NRSA6AJ-223W	MG RESISTOR	22kΩ 1/16W J	A	L401	NQR0007-002X	FERRITE BEADS		
R762	NRSA6AJ-333W	MG RESISTOR	33kΩ 1/16W J		L411	NQL79GM-470X	COIL	47uH M	
R763	NRSA6AJ-103W	MG RESISTOR	10kΩ 1/16W J		△ L901	QQR0703-001	CHOKE COIL		
R764	NRSA6AJ-183W	MG RESISTOR	18kΩ 1/16W J		△ L901 or	QQR1852-001	CHOKE COIL		
R765	NRSA6AJ-222W	MG RESISTOR	2.2kΩ 1/16W J		L922	NQL71EM-330X	COIL	33uH M	
R766	NRSA6AJ-101W	MG RESISTOR	100Ω 1/16W J		L923	NQLB7GM-100X	COIL	10uH M	
R767	NRSA6AJ-101W	MG RESISTOR	100Ω 1/16W J		L951	QQL244J-470Z	COIL	47uH J	
R768	NRSA6AJ-472W	MG RESISTOR	4.7kΩ 1/16W J		CN701	QGZ1601J1-15	CONNECTOR	(1-15)	
R769	NRSA6AJ-472W	MG RESISTOR	4.7kΩ 1/16W J		CN702	QNS0283-001	STEERING REMOTE		A
R770	NRSA6AJ-0R0W	MG RESISTOR	0Ω 1/16W J		CN901	QNZ0607-001	CAR CONNECTOR		
R771	NRSA6AJ-472W	MG RESISTOR	4.7kΩ 1/16W J		CN961	QGF0534F3-50X	CONNECTOR	FFC/FPC (1-50)	
R780	NRSA6AJ-103W	MG RESISTOR	10kΩ 1/16W J		J1	QNB0190-001	ANT TERMINAL		
R782	NRSA6AJ-682W	MG RESISTOR	6.8kΩ 1/16W J		J321	QNN0771-001	3P PIN JACK		A
R783	NRSA6AJ-562W	MG RESISTOR	5.6kΩ 1/16W J		J321	QNN0770-001	3P PIN JACK		B,C,D,E,F,G ,H,I,J,K,L
R784	NRSA6AJ-393W	MG RESISTOR	39kΩ 1/16W J		J801	QNZ0095-001	CONNECTOR		
R785	NRSA6AJ-222W	MG RESISTOR	2.2kΩ 1/16W J		K401	NQR0007-002X	FERRITE BEADS		
R786	NRSA6AJ-222W	MG RESISTOR	2.2kΩ 1/16W J						
R787	NRSA6AJ-222W	MG RESISTOR	2.2kΩ 1/16W J						
R789	NRSA6AJ-472W	MG RESISTOR	4.7kΩ 1/16W J						

△ Symbol No.	Part No.	Part Name	Description	Local	△ Symbol No.	Part No.	Part Name	Description	Local
K411	NQR0201-004X	FERRITE BEADS			R652	NRSA63J-472X	MG RESISTOR	4.7kΩ 1/16W J	
K711	NQR0007-002X	FERRITE BEADS		A	R653	NRS181J-102X	MG RESISTOR	1kΩ 1/8W J	
K721	NQR0022-005X	FERRITE BEADS			R654	NRSA63J-102X	MG RESISTOR	1kΩ 1/16W J	A,B,C,D,E,F, G,H,I,J,K,L
S732	QSW0648-001Z	TACT SWITCH			R654	NRSA63J-511X	MG RESISTOR	510Ω 1/16W J	M,N
X1	QAX0928-001Z	CRYSTAL	32.768KHz		R655	NRSA63J-102X	MG RESISTOR	1kΩ 1/16W J	A,B,C,D,E,F, G,H,I,J,K,L
X721	QAX0401-001	CRYSTAL			R660	NRSA63J-394X	MG RESISTOR	390kΩ 1/16W J	
X722	QAX0916-001Z	CRYSTAL			R661	NRSA63J-102X	MG RESISTOR	1kΩ 1/16W J	

Switch board

Block No. [0][2]

△ Symbol No.	Part No.	Part Name	Description	Local	△ Symbol No.	Part No.	Part Name	Description	Local
IC661	PTC6526LQ-L	IC			R662	NRSA63J-102X	MG RESISTOR	1kΩ 1/16W J	
IC681	NJL29H380A	REMOCON RCV			R662	NRSA63J-102X	MG RESISTOR	1kΩ 1/16W J	
Q601	2SA1365/F/-X	TRANSISTOR			R663	NRSA63J-102X	MG RESISTOR	1kΩ 1/16W J	
Q602	RT1N141C-X	DIGI TRANSISTOR			R663	NRSA63J-102X	MG RESISTOR	1kΩ 1/16W J	
Q602	or UN2211-X	TRANSISTOR			R664	NRSA63J-224X	MG RESISTOR	220kΩ 1/16W J	
D630	LHQ974/LM/-X	LED			R665	NRSA63J-101X	MG RESISTOR	100Ω 1/16W J	
D631	LHQ974/LM/-X	LED			R666	NRSA63J-101X	MG RESISTOR	100Ω 1/16W J	
D632	LHQ974/LM/-X	LED			R667	NRSA63J-101X	MG RESISTOR	100Ω 1/16W J	
D633	LHQ974/LM/-X	LED			R668	NRSA63J-0R0X	MG RESISTOR	0Ω 1/10W J	
D634	LHQ974/LM/-X	LED			R670	NRSA63J-203X	MG RESISTOR	20kΩ 1/16W J	
D635	LHQ974/LM/-X	LED			R671	NRSA63J-203X	MG RESISTOR	20kΩ 1/16W J	
D636	LHQ974/LM/-X	LED			R672	NRSA63J-101X	MG RESISTOR	100Ω 1/16W J	
D638	LHQ974/LM/-X	LED			R673	NRSA63J-101X	MG RESISTOR	100Ω 1/16W J	
D639	LHQ974/LM/-X	LED			R681	NRSA63J-471X	MG RESISTOR	470Ω 1/16W J	
D640	LHQ974/LM/-X	LED			R682	NRSA63J-331X	MG RESISTOR	330Ω 1/16W J	
D641	LHQ974/LM/-X	LED			R691	NRS181J-0R0X	MG RESISTOR	0Ω 1/8W J	
D642	LHQ974/LM/-X	LED			L601	NQR0007-002X	FERRITE BEADS		
D643	LHQ974/LM/-X	LED			L602	NQR0007-002X	FERRITE BEADS		
D644	LHQ974/LM/-X	LED			L603	NQR0007-002X	FERRITE BEADS		
D650	LWA6SG/56L/-X	LED			CJ601	QGZ1601K1-15S	CONNECTOR	(1-15)	
D661	MA111-X	SI DIODE			J601	QNS0280-001	3.5 JACK		
D661	or 1SS355W-X	DIODE			JS686	QSW1231-002	ROTARY ENCODER		
D662	MA8051/M/-X	Z DIODE			S601	NSW0124-001X	TACT SW		
D662	or UDZW5.1B-X	SB DIODE			S602	NSW0124-001X	TACT SW		
C661	NCB21CK-105X	C CAPACITOR	1uF 16V K		S603	NSW0124-001X	TACT SW		
C662	NDC31HJ-151X	C CAPACITOR	150pF 50V J		S604	NSW0124-001X	TACT SW		
C663	NCB31CK-223X	C CAPACITOR	0.022uF 16V K		S605	NSW0124-001X	TACT SW		
C665	NCB31CK-104X	C CAPACITOR	0.1uF 16V K		S607	NSW0124-001X	TACT SW		
C666	NCB31CK-104X	C CAPACITOR	0.1uF 16V K		S608	NSW0124-001X	TACT SW		
C682	NCB31EK-104X	C CAPACITOR	0.1uF 25V K		S609	NSW0124-001X	TACT SW		
C687	NCB31HK-472X	C CAPACITOR	4700pF 50V K		S610	NSW0124-001X	TACT SW		
C688	NCB31HK-472X	C CAPACITOR	4700pF 50V K		S611	NSW0316-001X	TACT SWITCH		
R601	NRSA63J-821X	MG RESISTOR	820Ω 1/16W J		S612	NSW0316-001X	TACT SWITCH		
R602	NRSA63J-821X	MG RESISTOR	820Ω 1/16W J		L601	NQR0007-002X	FERRITE BEADS		
R603	NRSA63J-122X	MG RESISTOR	1.2kΩ 1/16W J		L602	NQR0007-002X	FERRITE BEADS		
R604	NRSA63J-182X	MG RESISTOR	1.8kΩ 1/16W J		L603	NQR0007-002X	FERRITE BEADS		
R605	NRSA63J-272X	MG RESISTOR	2.7kΩ 1/16W J		CJ601	QGZ1601K1-15S	CONNECTOR	(1-15)	
R607	NRSA63J-821X	MG RESISTOR	820Ω 1/16W J		J601	QNS0280-001	3.5 JACK		
R608	NRSA63J-821X	MG RESISTOR	820Ω 1/16W J		JS686	QSW1231-002	ROTARY ENCODER		
R609	NRSA63J-122X	MG RESISTOR	1.2kΩ 1/16W J		S601	NSW0124-001X	TACT SW		
R610	NRSA63J-182X	MG RESISTOR	1.8kΩ 1/16W J		S602	NSW0124-001X	TACT SW		
R611	NRSA63J-272X	MG RESISTOR	2.7kΩ 1/16W J		S603	NSW0124-001X	TACT SW		
R612	NRSA63J-392X	MG RESISTOR	3.9kΩ 1/16W J		S604	NSW0124-001X	TACT SW		
R613	NRSA63J-103X	MG RESISTOR	10kΩ 1/16W J		S605	NSW0124-001X	TACT SW		
R630	NRSA63J-271X	MG RESISTOR	270Ω 1/16W J		S607	NSW0124-001X	TACT SW		
R631	NRSA02J-471X	MG RESISTOR	470Ω 1/10W J		S608	NSW0124-001X	TACT SW		
R633	NRSA63J-0R0X	MG RESISTOR	0Ω 1/10W J		S609	NSW0124-001X	TACT SW		
R634	NRSA02J-471X	MG RESISTOR	470Ω 1/10W J		S610	NSW0124-001X	TACT SW		
R636	NRSA02J-471X	MG RESISTOR	470Ω 1/10W J		S611	NSW0316-001X	TACT SWITCH		
R639	NRS181J-561X	MG RESISTOR	560Ω 1/8W J		S612	NSW0316-001X	TACT SWITCH		
R640	NRSA02J-561X	MG RESISTOR	560Ω 1/10W J		L601	NQR0007-002X	FERRITE BEADS		
R642	NRSA02J-561X	MG RESISTOR	560Ω 1/10W J		L602	NQR0007-002X	FERRITE BEADS		
R644	NRSA02J-561X	MG RESISTOR	560Ω 1/10W J		L603	NQR0007-002X	FERRITE BEADS		
R648	NRS181J-391X	MG RESISTOR	390Ω 1/8W J		CJ601	QGZ1601K1-15S	CONNECTOR	(1-15)	
R649	NRS181J-391X	MG RESISTOR	390Ω 1/8W J		J601	QNS0280-001	3.5 JACK		
R650	NRSA02J-221X	MG RESISTOR	220Ω 1/10W J		JS686	QSW1231-002	ROTARY ENCODER		
R651	NRSA02J-271X	MG RESISTOR	270Ω 1/10W J		S601	NSW0124-001X	TACT SW		

Old Front end board

Block No. [0][3]

△ Symbol No.	Part No.	Part Name	Description	Local
IC1	BD8215EFV-X	IC		
IC3	MM3233CF-X	IC		
IC301	MN2DS0018MA	IC		
IC302	MM1701CH-X	IC		
IC398	SG32N90TFI033K	IC(PROGRAMED)		
IC399	M12L128168A-7TG	IC(DIGITAL)		
IC399	or HY57V281620FTH	IC(DIGITAL)		
IC400	AK4387ET-X	IC		
IC481	BR24S32FVT-W-X	IC(DIGITAL)		
IC501	TC74LCX373FT-X	IC(DIGITAL)		
IC502	TC74LCX373FT-X	IC(DIGITAL)		
Q2	RT1N141U-X	DIGI TRANSISTOR		
Q4	2SC3928A/R/-X	TRANSISTOR		
Q4	or 2SD601A/R/-X	TRANSISTOR		
Q7	2SC3928A/R/-X	TRANSISTOR		
Q7	or 2SD601A/R/-X	TRANSISTOR		
Q8	2SA1774/R/-X	TRANSISTOR		
Q9	2SC4617/R/-X	TRANSISTOR		
Q101	2SB1424/R/-W	TRANSISTOR		
Q102	2SC4617/R/-X	TRANSISTOR		
Q103	2SB1424/R/-W	TRANSISTOR		
Q104	2SC4617/R/-X	TRANSISTOR		
Q105	2SC4617/R/-X	TRANSISTOR		
Q106	2SK3546J-X	MOS FET		
Q107	2SK3546J-X	MOS FET		
Q301	RT1N441U-X	DIGI TRANSISTOR		

△ Symbol No.	Part No.	Part Name	Description	Local	△ Symbol No.	Part No.	Part Name	Description	Local
Q302	RT1N441U-X	DIGI TRANSISTOR			C129	NCB31CK-104X	C CAPACITOR	0.1uF 16V K	
D6	AN1102W-6-X	IR LED			C130	NCB31CK-104X	C CAPACITOR	0.1uF 16V K	
D7	AN1102W-6-X	IR LED			C131	NCB31CK-104X	C CAPACITOR	0.1uF 16V K	
D9	PS1192HB-22-X	PHOTO TRANSISTOR			C132	NCB31CK-104X	C CAPACITOR	0.1uF 16V K	
D11	PS1192HB-22-X	PHOTO TRANSISTOR			C133	NCB31CK-104X	C CAPACITOR	0.1uF 16V K	
C2	NCB31CK-104X	C CAPACITOR	0.1uF 16V K		C134	NCB31CK-104X	C CAPACITOR	0.1uF 16V K	
C3	NCB31CK-104X	C CAPACITOR	0.1uF 16V K		C135	NCB31CK-104X	C CAPACITOR	0.1uF 16V K	
C4	NCB31CK-104X	C CAPACITOR	0.1uF 16V K		C136	NCB31CK-104X	C CAPACITOR	0.1uF 16V K	
C5	NCB31CK-104X	C CAPACITOR	0.1uF 16V K		C137	NBE20JM-226X	TA E CAPACITOR	22uF 6.3V M	
C6	NCB31CK-104X	C CAPACITOR	0.1uF 16V K		C139	NBE20JM-226X	TA E CAPACITOR	22uF 6.3V M	
C7	NCB31CK-104X	C CAPACITOR	0.1uF 16V K		C142	NCB31CK-104X	C CAPACITOR	0.1uF 16V K	
C8	NCB31CK-104X	C CAPACITOR	0.1uF 16V K		C143	NBE41AM-476X	TA E CAPACITOR	47uF 10V M	
C9	NCB31CK-104X	C CAPACITOR	0.1uF 16V K		C145	NBE41AM-476X	TA E CAPACITOR	47uF 10V M	
C11	NCB31CK-104X	C CAPACITOR	0.1uF 16V K		C148	NCB31HK-331X	C CAPACITOR	330pF 50V K	
C12	NCB31CK-104X	C CAPACITOR	0.1uF 16V K		C149	NCB31CK-104X	C CAPACITOR	0.1uF 16V K	
C13	NCB31CK-104X	C CAPACITOR	0.1uF 16V K		C151	NCB31CK-473X	C CAPACITOR	0.047uF 16V K	
C14	NCB31CK-104X	C CAPACITOR	0.1uF 16V K		C155	NDC31HJ-101X	C CAPACITOR	100pF 50V J	
C15	NCB31CK-104X	C CAPACITOR	0.1uF 16V K		C156	NCB31CK-104X	C CAPACITOR	0.1uF 16V K	
C16	NCB31CK-104X	C CAPACITOR	0.1uF 16V K		C161	NCB31CK-104X	C CAPACITOR	0.1uF 16V K	
C17	NCB31CK-104X	C CAPACITOR	0.1uF 16V K		C162	NCB31CK-104X	C CAPACITOR	0.1uF 16V K	
C18	NCB31CK-104X	C CAPACITOR	0.1uF 16V K		C164	NCB21CK-105X	C CAPACITOR	1uF 16V K	
C19	NCB31CK-104X	C CAPACITOR	0.1uF 16V K		C167	NDC31HJ-272X	C CAPACITOR	2700pF 50V J	
C20	NCB31CK-104X	C CAPACITOR	0.1uF 16V K		C170	NCB31CK-104X	C CAPACITOR	0.1uF 16V K	
C21	NBE41AM-476X	TA E CAPACITOR	47uF 10V M		C173	NCB31CK-104X	C CAPACITOR	0.1uF 16V K	
C22	NBE41AM-476X	TA E CAPACITOR	47uF 10V M		C174	NCB31CK-104X	C CAPACITOR	0.1uF 16V K	
C23	NBE41AM-476X	TA E CAPACITOR	47uF 10V M		C175	NBE61CM-107X	TA E CAPACITOR	100uF 16V M	
C24	NCB31CK-104X	C CAPACITOR	0.1uF 16V K		C176	NCB31CK-104X	C CAPACITOR	0.1uF 16V K	
C25	NCB31CK-104X	C CAPACITOR	0.1uF 16V K		C177	NCB31CK-104X	C CAPACITOR	0.1uF 16V K	
C26	NCB31CK-104X	C CAPACITOR	0.1uF 16V K		C178	NCB31CK-104X	C CAPACITOR	0.1uF 16V K	
C31	NCB31HK-681X	C CAPACITOR	680pF 50V K		C197	NCB31CK-104X	C CAPACITOR	0.1uF 16V K	
C32	NCB31HK-561X	C CAPACITOR	560pF 50V K		C199	NCB31CK-104X	C CAPACITOR	0.1uF 16V K	
C60	NCB31HK-103X	C CAPACITOR	0.01uF 50V K		C200	NBE40JM-476X	TA E CAPACITOR	47uF 6.3V M	
C63	NBE40JM-476X	TA E CAPACITOR	47uF 6.3V M		C201	NCB31CK-104X	C CAPACITOR	0.1uF 16V K	
C65	NCB31CK-104X	C CAPACITOR	0.1uF 16V K		C205	NCB21AK-225X	C CAPACITOR	2.2uF 10V K	
C66	NCB31CK-104X	C CAPACITOR	0.1uF 16V K		C206	NDC31HJ-222X	C CAPACITOR	2200pF 50V J	
C67	NCB31HK-103X	C CAPACITOR	0.01uF 50V K		C211	NCB31CK-104X	C CAPACITOR	0.1uF 16V K	
C68	NCB31CK-104X	C CAPACITOR	0.1uF 16V K		C215	NDC31HJ-181X	C CAPACITOR	180pF 50V J	
C69	NCB21CK-105X	C CAPACITOR	1uF 16V K		C216	NCB31CK-104X	C CAPACITOR	0.1uF 16V K	
C70	NCB31CK-104X	C CAPACITOR	0.1uF 16V K		C218	NCB31CK-104X	C CAPACITOR	0.1uF 16V K	
C71	NCB31CK-104X	C CAPACITOR	0.1uF 16V K		C219	NCB31CK-223X	C CAPACITOR	0.022uF 16V K	
C72	NCB31CK-105X	C CAPACITOR	1uF 16V K		C220	NCB31HK-102X	C CAPACITOR	1000pF 50V K	
C73	NCB31CK-104X	C CAPACITOR	0.1uF 16V K		C222	NCB31CK-104X	C CAPACITOR	0.1uF 16V K	
C74	NCB31CK-104X	C CAPACITOR	0.1uF 16V K		C223	NCB31HK-102X	C CAPACITOR	1000pF 50V K	
C75	NCB31CK-104X	C CAPACITOR	0.1uF 16V K		C224	NCB21AK-225X	C CAPACITOR	2.2uF 10V K	
C76	NCB31CK-104X	C CAPACITOR	0.1uF 16V K		C225	NBE61CM-107X	TA E CAPACITOR	100uF 16V M	
C77	NCB31CK-104X	C CAPACITOR	0.1uF 16V K		C228	NCB31HK-102X	C CAPACITOR	1000pF 50V K	
C78	NCB31CK-104X	C CAPACITOR	0.1uF 16V K		C229	NCB31CK-223X	C CAPACITOR	0.022uF 16V K	
C79	NCB31CK-104X	C CAPACITOR	0.1uF 16V K		C232	NBE61CM-107X	TA E CAPACITOR	100uF 16V M	
C80	NCB21CK-105X	C CAPACITOR	1uF 16V K		C233	NCB21CK-105X	C CAPACITOR	1uF 16V K	
C81	NDC31HJ-120X	C CAPACITOR	12pF 50V J		C235	NCB31HK-102X	C CAPACITOR	1000pF 50V K	
C82	NDC31HJ-150X	C CAPACITOR	15pF 50V J		C237	NDC31HJ-221X	C CAPACITOR	220pF 50V J	
C83	NCB31CK-104X	C CAPACITOR	0.1uF 16V K		C238	NCB31CK-104X	C CAPACITOR	0.1uF 16V K	
C84	NCB31CK-333X	C CAPACITOR	0.033uF 16V K		C240	NCB31CK-104X	C CAPACITOR	0.1uF 16V K	
C85	NCB31CK-104X	C CAPACITOR	0.1uF 16V K		C241	NCB31CK-104X	C CAPACITOR	0.1uF 16V K	
C86	NCB31CK-104X	C CAPACITOR	0.1uF 16V K		R21	NRSA63J-0R0X	MG RESISTOR	0Ω 1/16W J	
C87	NCB31CK-104X	C CAPACITOR	0.1uF 16V K		R22	NRSA63J-0R0X	MG RESISTOR	0Ω 1/16W J	
C88	NCB31CK-104X	C CAPACITOR	0.1uF 16V K		R25	NRSA63J-0R0X	MG RESISTOR	0Ω 1/16W J	
C89	NCB31HK-183X	C CAPACITOR	0.018uF 50V K		R31	NRSA63J-0R0X	MG RESISTOR	0Ω 1/16W J	
C90	NCB31HK-562X	C CAPACITOR	5600pF 50V K		R46	NRSA6AD-103W	MG RESISTOR	10kΩ 1/16W D	
C91	NCB31CK-104X	C CAPACITOR	0.1uF 16V K		R47	NRSA6AD-103W	MG RESISTOR	10kΩ 1/16W D	
C92	NCB21CK-105X	C CAPACITOR	1uF 16V K		R49	NRSA63J-0R0X	MG RESISTOR	0Ω 1/16W J	
C93	NCB21CK-105X	C CAPACITOR	1uF 16V K		R52	NRSA6AD-103W	MG RESISTOR	10kΩ 1/16W D	
C99	NCB31CK-104X	C CAPACITOR	0.1uF 16V K		R54	NRSA6AD-910W	MG RESISTOR	91Ω 1/16W D	
C100	NCB31CK-684X	C CAPACITOR	0.68uF 16V K		R55	NRSA6AD-910W	MG RESISTOR	91Ω 1/16W D	
C101	NCB31CK-104X	C CAPACITOR	0.1uF 16V K		R56	NRSA63D-432X	MG RESISTOR	4.3kΩ 1/16W D	
C102	NCB31CK-684X	C CAPACITOR	0.68uF 16V K		R57	NRSA63D-242X	MG RESISTOR	2.4kΩ 1/16W D	
C106	NCB31CK-104X	C CAPACITOR	0.1uF 16V K		R58	NRS125J-390X	MG RESISTOR	39Ω 1/2W J	
C109	NCB21CK-105X	C CAPACITOR	1uF 16V K		R59	NRSA63J-2R2X	MG RESISTOR	2.2Ω 1/16W J	
C113	NCB21CK-105X	C CAPACITOR	1uF 16V K		R60	NRSA6AD-102W	MG RESISTOR	1kΩ 1/16W D	
C117	NCB21CK-105X	C CAPACITOR	1uF 16V K		R61	NRSA6AD-471W	MG RESISTOR	470Ω 1/16W D	
C118	NCB31HK-103X	C CAPACITOR	0.01uF 50V K		R62	NRSA6AD-471W	MG RESISTOR	470Ω 1/16W D	
C121	NCB31CK-104X	C CAPACITOR	0.1uF 16V K		R64	NRSA63D-432X	MG RESISTOR	4.3kΩ 1/16W D	
C122	NCB31CK-104X	C CAPACITOR	0.1uF 16V K		R65	NRSA63D-242X	MG RESISTOR	2.4kΩ 1/16W D	
C126	NCB31CK-104X	C CAPACITOR	0.1uF 16V K		R66	NRS125J-120X	MG RESISTOR	12Ω 1/2W J	
C127	NCB31CK-104X	C CAPACITOR	0.1uF 16V K		R67	NRSA63J-2R2X	MG RESISTOR	2.2Ω 1/16W J	
C128	NCB31CK-104X	C CAPACITOR	0.1uF 16V K		R68	NRSA6AD-102W	MG RESISTOR	1kΩ 1/16W D	
					R69	NRSA63J-471X	MG RESISTOR	470Ω 1/16W J	

△ Symbol No.	Part No.	Part Name	Description	Local	△ Symbol No.	Part No.	Part Name	Description	Local
R70	NRSA6AD-331W	MG RESISTOR	330Ω 1/16W D		R325	NRSA63D-753X	MG RESISTOR	75kΩ 1/16W D	
R77	NRSA02J-0R0X	MG RESISTOR	0Ω 1/10W J		R329	NRS125J-R47X	MG RESISTOR	0.47Ω 1/2W J	
R79	NRSA6AD-104W	MG RESISTOR	100kΩ 1/16W D		R330	NRSA63J-0R0X	MG RESISTOR	0Ω 1/16W J	
R92	NRSA63J-473X	MG RESISTOR	47kΩ 1/16W J		R352	NRSA6AD-102W	MG RESISTOR	1kΩ 1/16W D	
R93	NRSA63J-203X	MG RESISTOR	20kΩ 1/16W J		R357	NRS125J-R22X	MG RESISTOR	0.22Ω 1/2W J	
R94	NRSA63J-223X	MG RESISTOR	22kΩ 1/16W J		R358	NRSA63J-0R0X	MG RESISTOR	0Ω 1/16W J	
R99	NRSA63J-0R0X	MG RESISTOR	0Ω 1/16W J		R359	NRSA6AD-243W	MG RESISTOR	24kΩ 1/16W D	
R100	NRSA6AD-103W	MG RESISTOR	10kΩ 1/16W D		R362	NRSA63J-103X	MG RESISTOR	10kΩ 1/16W J	
R101	NRSA63J-0R0X	MG RESISTOR	0Ω 1/16W J		R364	NRSA63J-391X	MG RESISTOR	390Ω 1/16W J	
R104	NRSA63J-0R0X	MG RESISTOR	0Ω 1/16W J		R365	NRSA6AD-103W	MG RESISTOR	10kΩ 1/16W D	
R107	NRSA63J-152X	MG RESISTOR	1.5kΩ 1/16W J		R366	NRS125J-R22X	MG RESISTOR	0.22Ω 1/2W J	
R109	NRSA63J-0R0X	MG RESISTOR	0Ω 1/16W J		R367	NRSA6AD-104W	MG RESISTOR	100kΩ 1/16W D	
R112	NRSA63J-223X	MG RESISTOR	22kΩ 1/16W J		R369	NRS125J-R22X	MG RESISTOR	0.22Ω 1/2W J	
R117	NRSA6AD-103W	MG RESISTOR	10kΩ 1/16W D		R371	NRSA63J-0R0X	MG RESISTOR	0Ω 1/16W J	
R120	NRSA63J-152X	MG RESISTOR	1.5kΩ 1/16W J		R375	NRSA6AD-152W	MG RESISTOR	1.5kΩ 1/16W D	
R125	NRSA63J-120X	MG RESISTOR	12Ω 1/16W J		R376	NRSA6AD-822W	MG RESISTOR	8.2kΩ 1/16W D	
R126	NRSA63J-102X	MG RESISTOR	1kΩ 1/16W J		R379	NRSA63D-332X	MG RESISTOR	3.3kΩ 1/16W D	
R128	NRSA6AD-270W	MG RESISTOR	27Ω 1/16W D		R380	NRSA63J-223X	MG RESISTOR	22kΩ 1/16W J	
R129	NRSA6AD-103W	MG RESISTOR	10kΩ 1/16W D		R382	NRSA6AD-102W	MG RESISTOR	1kΩ 1/16W D	
R131	NRSA6AD-102W	MG RESISTOR	1kΩ 1/16W D		R383	NRSA63J-223X	MG RESISTOR	22kΩ 1/16W J	
R132	NRSA6AD-102W	MG RESISTOR	1kΩ 1/16W D		R384	NRSA6AD-104W	MG RESISTOR	100kΩ 1/16W D	
R133	NRSA6AD-223W	MG RESISTOR	22kΩ 1/16W D		R386	NRSA6AD-184W	MG RESISTOR	180kΩ 1/16W D	
R134	NRSA6AD-104W	MG RESISTOR	100kΩ 1/16W D		R387	NRSA63D-473X	MG RESISTOR	47kΩ 1/16W D	
R137	NRSA63J-0R0X	MG RESISTOR	0Ω 1/16W J		R391	NRSA6AD-822W	MG RESISTOR	8.2kΩ 1/16W D	
R139	NRSA63J-0R0X	MG RESISTOR	0Ω 1/16W J		R392	NRSA63J-103X	MG RESISTOR	10kΩ 1/16W J	
R141	NRSA63D-332X	MG RESISTOR	3.3kΩ 1/16W D		R393	NRSA6AD-103W	MG RESISTOR	10kΩ 1/16W D	
R142	NRSA63J-0R0X	MG RESISTOR	0Ω 1/16W J		R394	NRSA63J-273X	MG RESISTOR	27kΩ 1/16W J	
R143	NRSA6AD-101W	MG RESISTOR	100Ω 1/16W D		R397	NRSA6AD-101W	MG RESISTOR	100Ω 1/16W D	
R144	NRSA6AD-103W	MG RESISTOR	10kΩ 1/16W D		R400	NRSA6AD-153W	MG RESISTOR	15kΩ 1/16W D	
R145	NRSA6AD-103W	MG RESISTOR	10kΩ 1/16W D		R402	NRSA6AD-473W	MG RESISTOR	47kΩ 1/16W D	
R152	NRSA63J-0R0X	MG RESISTOR	0Ω 1/16W J		R403	NRSA63J-101X	MG RESISTOR	100Ω 1/16W J	
R153	NRSA63D-162X	MG RESISTOR	1.6kΩ 1/16W D		R406	NRS125J-R22X	MG RESISTOR	0.22Ω 1/2W J	
R155	NRSA63J-0R0X	MG RESISTOR	0Ω 1/16W J		R417	NRSA63J-183X	MG RESISTOR	18kΩ 1/16W J	
R156	NRSA63J-0R0X	MG RESISTOR	0Ω 1/16W J		R419	NRSA63D-104X	MG RESISTOR	100kΩ 1/16W D	
R160	NRSA63D-303X	MG RESISTOR	30kΩ 1/16W D		R420	NRSA6AD-184W	MG RESISTOR	180kΩ 1/16W D	
R163	NRSA6AD-103W	MG RESISTOR	10kΩ 1/16W D		L302	NQLA3GK-100X	COIL	10uH K	
R164	NRSA63J-181X	MG RESISTOR	180Ω 1/16W J		L303	NQLA3GK-100X	COIL	10uH K	
R165	NRSA6AD-473W	MG RESISTOR	47kΩ 1/16W D						
R166	NRSA6AD-473W	MG RESISTOR	47kΩ 1/16W D		CN1	QGF0523F3-20W	CONNECTOR	FFC/FPC (1-20)	
R167	NRSA6AD-473W	MG RESISTOR	47kΩ 1/16W D		CN2	QGA1002F1-03X	CONNECTOR	W-B (1-3)	
R168	NRSA6AD-473W	MG RESISTOR	47kΩ 1/16W D		CN101	QGF0522F2-26W	CONNECTOR	FFC/FPC (1-26)	
R170	NRSA6AD-471W	MG RESISTOR	470Ω 1/16W D		CN403	QGF0534F3-50X	CONNECTOR	FFC/FPC (1-50)	
R171	NRSA63J-105X	MG RESISTOR	1MΩ 1/16W J		K101	NQR0007-002X	FERRITE BEADS		
R172	NRSA6AD-101W	MG RESISTOR	100Ω 1/16W D		K102	NQR0007-002X	FERRITE BEADS		
R173	NRSA6AD-101W	MG RESISTOR	100Ω 1/16W D		K103	NQR0502-001X	FERRITE BEADS		
R174	NRSA6AD-101W	MG RESISTOR	100Ω 1/16W D		K108	NQR0129-002X	FERRITE BEADS		
R177	NRSA63J-0R0X	MG RESISTOR	0Ω 1/16W J		K113	NQR0502-001X	FERRITE BEADS		
R178	NRSA63J-0R0X	MG RESISTOR	0Ω 1/16W J		K114	NRSA63J-0R0X	MG RESISTOR	0Ω 1/16W J	
R181	NQR0129-002X	FERRITE BEADS			K115	NRSA63J-0R0X	MG RESISTOR	0Ω 1/16W J	
R183	NRSA63J-0R0X	MG RESISTOR	0Ω 1/16W J		K117	NRSA63J-0R0X	MG RESISTOR	0Ω 1/16W J	
R184	NRSA63J-0R0X	MG RESISTOR	0Ω 1/16W J		K118	NRSA63J-0R0X	MG RESISTOR	0Ω 1/16W J	
R189	NRSA6AD-331W	MG RESISTOR	330Ω 1/16W D		K119	NRSA63J-0R0X	MG RESISTOR	0Ω 1/16W J	
R190	NRSA6AD-331W	MG RESISTOR	330Ω 1/16W D		K120	NRSA63J-0R0X	MG RESISTOR	0Ω 1/16W J	
R195	NRSA6AD-102W	MG RESISTOR	1kΩ 1/16W D		K121	NQL093K-1R8X	COIL	1.8uH K	
R211	NRSA6AD-473W	MG RESISTOR	47kΩ 1/16W D		K131	NQR0022-005X	FERRITE BEADS		
R213	NRSA63J-100X	MG RESISTOR	10Ω 1/16W J		K132	NQR0022-005X	FERRITE BEADS		
R214	NRSA63J-0R0X	MG RESISTOR	0Ω 1/16W J		K133	NQR0022-005X	FERRITE BEADS		
R215	NRSA63D-122X	MG RESISTOR	1.2kΩ 1/16W D		K135	NQR0022-005X	FERRITE BEADS		
R216	NRSA63D-122X	MG RESISTOR	1.2kΩ 1/16W D		K136	NQR0022-005X	FERRITE BEADS		
R217	NRSA6AD-100W	MG RESISTOR	10Ω 1/16W D		K137	NRSA63J-0R0X	MG RESISTOR	0Ω 1/16W J	
R218	NRSA63J-0R0X	MG RESISTOR	0Ω 1/16W J		K141	NRSA63J-0R0X	MG RESISTOR	0Ω 1/16W J	
R220	NRSA63J-0R0X	MG RESISTOR	0Ω 1/16W J		K142	NRSA63J-0R0X	MG RESISTOR	0Ω 1/16W J	
R226	NRSA6AD-473W	MG RESISTOR	47kΩ 1/16W D		S1	NSW0313-001X	DETECT SWITCH		
R227	NRSA63J-222X	MG RESISTOR	2.2kΩ 1/16W J		TH491	NAD0025-103X	N THERMISTOR	10kΩ	
R228	NRSA63J-103X	MG RESISTOR	10kΩ 1/16W J		X351	NAX0741-001X	CRYSTAL	27.000MHz	
R229	NRSA63J-0R0X	MG RESISTOR	0Ω 1/16W J						
R233	NRSA6AD-103W	MG RESISTOR	10kΩ 1/16W D						
R264	NRSA63J-0R0X	MG RESISTOR	0Ω 1/16W J						
R265	NRSA6AD-103W	MG RESISTOR	10kΩ 1/16W D						
R267	NRSA63D-472X	MG RESISTOR	4.7kΩ 1/16W D						
R268	NRSA63J-0R0X	MG RESISTOR	0Ω 1/16W J						
R309	NRS125J-R47X	MG RESISTOR	0.47Ω 1/2W J						
R310	NRSA6AD-333W	MG RESISTOR	33kΩ 1/16W D						
R311	NRSA63J-391X	MG RESISTOR	390Ω 1/16W J						
R318	NRSA63J-203X	MG RESISTOR	20kΩ 1/16W J						
R319	NRSA6AD-622W	MG RESISTOR	6.2kΩ 1/16W D						
R323	NRSA6AD-391W	MG RESISTOR	390Ω 1/16W D						
R324	NRSA63D-682X	MG RESISTOR	6.8kΩ 1/16W D						

Main board

Block No. [0][4]

△ Symbol No.	Part No.	Part Name	Description	Local
△ IC1	TEF6606T/V5-X	IC		
IC161	BD3700FV-X	IC		
△ IC301	TB2926CHQ	IC		
IC361	NJM2160BV-X	IC		A
IC402	TOTX177L	OPT TRANSMITTER		
IC411	MM1510XN-X	IC		
IC471	NJM4565E-X	IC		
△ IC721	JES1552	IC		
IC801	SN74AHCT126PW-X	IC(DIGITAL)		
△ IC911	R2S25400DS-E	IC		
△ IC922	LV5749V-X	IC		
IC952	NJM2878F4-33-X	IC		
Q301	2SC1623A/5-6/-X	TRANSISTOR		
Q301	or 2SC3928A/QR/-X	TRANSISTOR		
Q321	IMX9-W	PAIR TRANSISTOR		
Q701	RT1N141C-X	DIGI TRANSISTOR		
Q701	or UN2211-X	TRANSISTOR		
Q702	RT1P141C-X	DIGI TRANSISTOR		
Q702	or UN2111-X	TRANSISTOR		
Q703	RT1N141C-X	DIGI TRANSISTOR		
Q703	or UN2211-X	TRANSISTOR		
Q704	RT1P141C-X	DIGI TRANSISTOR		
Q704	or UN2111-X	TRANSISTOR		
Q851	2SB1132/QR/-W	TRANSISTOR		C,D,E,F,G,H,I ,J,K,L,M,N
Q852	RT1N141C-X	DIGI TRANSISTOR		C,D,E,F,G,H,I ,J,K,L,M,N
Q852	or UN2211-X	TRANSISTOR		C,D,E,F,G,H,I ,J,K,L,M,N
Q861	RT1P141C-X	DIGI TRANSISTOR		
Q861	or UN2111-X	TRANSISTOR		
Q862	RT1P141C-X	DIGI TRANSISTOR		
Q862	or UN2111-X	TRANSISTOR		
Q885	RT1N141C-X	DIGI TRANSISTOR		
Q885	or UN2211-X	TRANSISTOR		
△ Q921	MCH6406-W	MOS TRANSISTOR		
△ Q922	MCH6406-W	MOS TRANSISTOR		
Q951	RT1P441C-X	DIGI TRANSISTOR		
Q951	or UN2113-X	TRANSISTOR		
Q952	RT1N441C-X	TRANSISTOR		
Q952	or UN2213-X	DIGI TRANSISTOR		
Q976	RT1N441C-X	TRANSISTOR		
Q976	or UN2213-X	DIGI TRANSISTOR		
Q977	2SA812A/5-6/-X	TRANSISTOR		
Q977	or ISA1530AC1/QR/X	TRANSISTOR		
D302	1SS355W-X	DIODE		
D302	or MA111-X	SI DIODE		
D322	MC2836-X	DIODE		
D322	or MA152WA-X	DIODE		
D701	UDZW6.2B-X	Z DIODE		
D701	or MA8062/M/-X	Z DIODE		
D702	UDZW6.2B-X	Z DIODE		
D702	or MA8062/M/-X	Z DIODE		
D703	UDZW6.2B-X	Z DIODE		
D703	or MA8062/M/-X	Z DIODE		
D704	UDZW6.2B-X	Z DIODE		
D704	or MA8062/M/-X	Z DIODE		
D711	UDZW6.2B-X	Z DIODE		
D711	or MA8062/M/-X	Z DIODE		A
D851	MA22D23-X	SB DIODE		C,D,E,F,G,H,I ,J,K,L,M,N
D851	or CRS03-W	SB DIODE		C,D,E,F,G,H,I ,J,K,L,M,N
D851	or RB160M-30-X	SB DIODE		C,D,E,F,G,H,I ,J,K,L,M,N
D852	MA22D39-X	SB DIODE		C,D,E,F,G,H,I ,J,K,L,M,N
D861	1SS355W-X	DIODE		
D861	or MA111-X	SI DIODE		
D862	1SS355W-X	DIODE		
D862	or MA111-X	SI DIODE		
D863	UDZW11B-X	Z DIODE		

△ Symbol No.	Part No.	Part Name	Description	Local
D863	or MA8110/M/-X	Z DIODE		
D885	1SS355W-X	DIODE		
D885	or MA111-X	SI DIODE		
D901	1N5401-F64	SI DIODE		
D901	or 1N5401-TU-15	SI DIODE		
D911	1SS355W-X	DIODE		
D911	or MA111-X	SI DIODE		
D922	MA22D23-X	SB DIODE		
D922	or CRS03-W	SB DIODE		
D922	or RB160M-30-X	SB DIODE		
D974	UDZW5.1B-X	SB DIODE		
D974	or MA8051/M/-X	Z DIODE		
D981	MA22D23-X	SB DIODE		
D981	or CRS03-W	SB DIODE		
D981	or RB160M-30-X	SB DIODE		
D982	MA22D39-X	SB DIODE		
C1	NCB31HK-102X	C CAPACITOR	1000pF 50V K	
C2	NDC31HJ-7R0X	C CAPACITOR	7pF 50V J	
C3	NCB31HK-102X	C CAPACITOR	1000pF 50V K	
C4	NCB31CK-224X	C CAPACITOR	0.22uF 16V K	
C5	NDC31HJ-150X	C CAPACITOR	15pF 50V J	
C7	NDC31HJ-220X	C CAPACITOR	22pF 50V J	
C8	NCBA1CK-103W	C CAPACITOR	0.01uF 16V K	
C9	NCB31CK-105X	C CAPACITOR	1uF 16V K	
C10	NCB31CK-105X	C CAPACITOR	1uF 16V K	
C11	NCBA1CK-103W	C CAPACITOR	0.01uF 16V K	
C12	NCBA1CK-103W	C CAPACITOR	0.01uF 16V K	
C14	NCB31CK-224X	C CAPACITOR	0.22uF 16V K	
C15	NCBA1AK-104W	C CAPACITOR	0.1uF 10V K	
C16	NCBA1CK-103W	C CAPACITOR	0.01uF 16V K	
C17	NCBA1AK-104W	C CAPACITOR	0.1uF 10V K	
C18	NCBA1CK-103W	C CAPACITOR	0.01uF 16V K	
C19	NCBA1AK-104W	C CAPACITOR	0.1uF 10V K	
C20	NCBA1CK-103W	C CAPACITOR	0.01uF 16V K	
C21	NCBA1AK-104W	C CAPACITOR	0.1uF 10V K	
C22	NDC31HJ-150X	C CAPACITOR	15pF 50V J	
C25	NCJ21CK-106X-R	C CAPACITOR	10uF 16V K	
C162	QTE1H64-225Z	E CAPACITOR	2.2uF 50V	
C167	NCB21CK-105X	C CAPACITOR	1uF 16V K	
C168	NCB21CK-105X	C CAPACITOR	1uF 16V K	
C172	QTE1H64-225Z	E CAPACITOR	2.2uF 50V	
C176	NCB21CK-105X	C CAPACITOR	1uF 16V K	
C177	NCB21CK-105X	C CAPACITOR	1uF 16V K	
C178	NCB21CK-105X	C CAPACITOR	1uF 16V K	
C181	QEKJ1CM-476Z	E CAPACITOR	47uF 16V M	
C182	QEKJ1CM-107Z	E CAPACITOR	100uF 16V M	
C183	NCBA1CK-104W	C CAPACITOR	0.1uF 16V K	
C301	QFV91HJ-474Z	MF CAPACITOR	0.47uF 50V J	
C302	QFV91HJ-474Z	MF CAPACITOR	0.47uF 50V J	
C303	NDCA1HJ-101W	C CAPACITOR	100pF 50V J	
C304	NDCA1HJ-101W	C CAPACITOR	100pF 50V J	
C309	NCB31CK-105X	C CAPACITOR	1uF 16V K	
C310	NCB31CK-105X	C CAPACITOR	1uF 16V K	
C311	QFV91HJ-474Z	MF CAPACITOR	0.47uF 50V J	
C312	QFV91HJ-474Z	MF CAPACITOR	0.47uF 50V J	
C313	NDCA1HJ-101W	C CAPACITOR	100pF 50V J	
C314	NDCA1HJ-101W	C CAPACITOR	100pF 50V J	
C315	NCB31EK-223X	C CAPACITOR	0.022uF 25V K	
C316	QTE1C57-476Z	E CAPACITOR	47uF 16V	
C317	NCB21AK-225X-A	C CAPACITOR	2.2uF 10V K	
C318	QEKJ1CM-226Z	E CAPACITOR	22uF 16V M	
C319	NCB31EK-223X	C CAPACITOR	0.022uF 25V K	
C321	NCBA1CK-223W	C CAPACITOR	0.022uF 16V K	
C322	NCBA1CK-223W	C CAPACITOR	0.022uF 16V K	
C323	NDCA1HJ-101W	C CAPACITOR	100pF 50V J	
C324	QEKJ1HM-475Z	E CAPACITOR	4.7uF 50V M	
C333	NDCA1HJ-101W	C CAPACITOR	100pF 50V J	
C334	QEKJ1HM-475Z	E CAPACITOR	4.7uF 50V M	
C383	QEKJ1HM-475Z	E CAPACITOR	4.7uF 50V M	A
C384	QEKJ1HM-475Z	E CAPACITOR	4.7uF 50V M	A
C385	NCBA1CK-104W	C CAPACITOR	0.1uF 16V K	A
C386	NCBA1CK-104W	C CAPACITOR	0.1uF 16V K	A
C387	NCB31HK-152X	C CAPACITOR	1500pF 50V K	A
C388	NCB31HK-152X	C CAPACITOR	1500pF 50V K	A
C389	QEKJ1CM-107Z	E CAPACITOR	100uF 16V M	A
C390	QEKJ1CM-107Z	E CAPACITOR	100uF 16V M	A
C392	QEKJ0JM-476Z	E CAPACITOR	47uF 6.3V M	A

△ Symbol No.	Part No.	Part Name	Description	Local	△ Symbol No.	Part No.	Part Name	Description	Local
C405	NDC31HJ-220X	C CAPACITOR	22pF 50V J		R5	NRSA63J-474X	MG RESISTOR	470kΩ 1/16W J	
C406	NCBA1CK-103W	C CAPACITOR	0.01uF 16V K		R6	NRSA6AJ-472W	MG RESISTOR	4.7kΩ 1/16W J	
C411	QEKJ1AM-227Z	E CAPACITOR	220uF 10V M		R7	NRSA6AJ-472W	MG RESISTOR	4.7kΩ 1/16W J	
C412	NCBA1AK-473W	C CAPACITOR	0.047uF 10V K		R12	NRSA6AJ-472W	MG RESISTOR	4.7kΩ 1/16W J	
C413	QCZ0202-155Z	C CAPACITOR	1.5uF 25V Z		R161	NRSA6AJ-224W	MG RESISTOR	220kΩ 1/16W J	
C414	QEKJ0JM-337Z	E CAPACITOR	330uF 6.3V M		R162	NRSA6AJ-393W	MG RESISTOR	39kΩ 1/16W J	
C471	QTE1H57-225Z	E CAPACITOR	2.2uF 50V		R163	NRSA6AJ-393W	MG RESISTOR	39kΩ 1/16W J	
C472	QTE0J57-476Z	E CAPACITOR	47uF 6.3V		R303	NRSA6AJ-473W	MG RESISTOR	47kΩ 1/16W J	
C473	NDC31HJ-680X	C CAPACITOR	68pF 50V J		R304	NRSA6AJ-473W	MG RESISTOR	47kΩ 1/16W J	
C474	NDC31HJ-560X	C CAPACITOR	56pF 50V J		R305	NRSA63J-103X	MG RESISTOR	10kΩ 1/16W J	
C475	NCBA1CK-104W	C CAPACITOR	0.1uF 16V K		R307	NRSA63J-473X	MG RESISTOR	47kΩ 1/16W J	
C476	QEKJ1CM-107Z	E CAPACITOR	100uF 16V M		R308	NRSA63J-103X	MG RESISTOR	10kΩ 1/16W J	
C481	QTE1H57-225Z	E CAPACITOR	2.2uF 50V		R309	NRSA6AJ-472W	MG RESISTOR	4.7kΩ 1/16W J	
C482	QTE0J57-476Z	E CAPACITOR	47uF 6.3V		R310	NRS181J-100X	MG RESISTOR	10Ω 1/8W J	
C483	NDC31HJ-680X	C CAPACITOR	68pF 50V J		R313	NRSA6AJ-473W	MG RESISTOR	47kΩ 1/16W J	
C484	NDC31HJ-560X	C CAPACITOR	56pF 50V J		R314	NRSA6AJ-473W	MG RESISTOR	47kΩ 1/16W J	
C701	NCBA1AK-104W	C CAPACITOR	0.1uF 10V K		R321	NRSA6AJ-101W	MG RESISTOR	100Ω 1/16W J	
C702	NCBA1CK-104W	C CAPACITOR	0.1uF 16V K		R322	NRSA6AJ-102W	MG RESISTOR	1kΩ 1/16W J	
C703	NCBA1AK-104W	C CAPACITOR	0.1uF 10V K		R323	NRSA6AJ-473W	MG RESISTOR	47kΩ 1/16W J	
C711	NDCA1HJ-101W	C CAPACITOR	100pF 50V J	A	R324	NRSA6AJ-222W	MG RESISTOR	2.2kΩ 1/16W J	
C731	NCB31HK-102X	C CAPACITOR	1000pF 50V K		R331	NRSA6AJ-101W	MG RESISTOR	100Ω 1/16W J	
C741	NDC31HJ-270X	C CAPACITOR	27pF 50V J		R332	NRSA6AJ-102W	MG RESISTOR	1kΩ 1/16W J	
C742	NDC31HJ-220X	C CAPACITOR	22pF 50V J		R333	NRSA6AJ-473W	MG RESISTOR	47kΩ 1/16W J	
C743	NCB31CK-105X	C CAPACITOR	1uF 16V K		R334	NRSA6AJ-222W	MG RESISTOR	2.2kΩ 1/16W J	
C744	NDC31HJ-120X	C CAPACITOR	12pF 50V J		R361	NRSA6AJ-102W	MG RESISTOR	1kΩ 1/16W J	A
C745	NDC31HJ-120X	C CAPACITOR	12pF 50V J		R362	NRSA6AJ-102W	MG RESISTOR	1kΩ 1/16W J	A
C746	QEKJ0JM-337Z	E CAPACITOR	330uF 6.3V M		R363	NRSA6AJ-104W	MG RESISTOR	100kΩ 1/16W J	A
C747	QEKJ0JM-337Z	E CAPACITOR	330uF 6.3V M		R364	NRSA6AJ-104W	MG RESISTOR	100kΩ 1/16W J	A
C749	NCBA1AK-473W	C CAPACITOR	0.047uF 10V K		R365	NRSA6AJ-223W	MG RESISTOR	22kΩ 1/16W J	A
C801	NDC31HJ-220X	C CAPACITOR	22pF 50V J		R366	NRSA6AJ-223W	MG RESISTOR	22kΩ 1/16W J	A
C802	NCBA1AK-473W	C CAPACITOR	0.047uF 10V K		R367	NRSA6AJ-333W	MG RESISTOR	33kΩ 1/16W J	A
C803	QEKJ1HM-225Z	E CAPACITOR	2.2uF 50V M		R368	NRSA6AJ-333W	MG RESISTOR	33kΩ 1/16W J	A
C804	QEKJ1HM-225Z	E CAPACITOR	2.2uF 50V M		R371	NRSA6AJ-0R0W	MG RESISTOR	0Ω 1/16W J	B,C,D,E,F,G,H,I,J,K,L,M,N
C851	QEKJ1EM-106Z	E CAPACITOR	10uF 25V M	C,D,E,F,G,H,I,J,K,L,M,N	R372	NRSA6AJ-0R0W	MG RESISTOR	0Ω 1/16W J	B,C,D,E,F,G,H,I,J,K,L,M,N
C852	NCB31CK-224X	C CAPACITOR	0.22uF 16V K	C,D,E,F,G,H,I,J,K,L,M,N	R403	NRSA6AJ-471W	MG RESISTOR	470Ω 1/16W J	
C861	QEKJ0JM-476Z	E CAPACITOR	47uF 6.3V M		R404	NRSA6AJ-1R0W	MG RESISTOR	1Ω 1/16W J	
C862	QEKJ1CM-107Z	E CAPACITOR	100uF 16V M		R405	NRSA6AJ-0R0W	MG RESISTOR	0Ω 1/16W J	
C885	NCB31CK-105X	C CAPACITOR	1uF 16V K		R412	NRSA6AD-222W	MG RESISTOR	2.2kΩ 1/16W D	
△ C901	QEZ0869-278	E CAPACITOR	2700uF		R413	NRSA6AD-181W	MG RESISTOR	180Ω 1/16W D	
C902	NCB31EK-104X	C CAPACITOR	0.1uF 25V K		R414	NRSA6AJ-102W	MG RESISTOR	1kΩ 1/16W J	
C903	QEKJ1HM-225Z	E CAPACITOR	2.2uF 50V M		R415	NRSA6AJ-750W	MG RESISTOR	75Ω 1/16W J	
C910	NCBA1CK-104W	C CAPACITOR	0.1uF 16V K		R417	NRSA6AJ-100W	MG RESISTOR	10Ω 1/16W J	
C911	QEKJ1EM-106Z	E CAPACITOR	10uF 25V M		R471	NRSA6AJ-224W	MG RESISTOR	220kΩ 1/16W J	
C912	QEKJ0JM-337Z	E CAPACITOR	330uF 6.3V M		R472	NRSA6AJ-473W	MG RESISTOR	47kΩ 1/16W J	
C913	QEKJ1CM-476Z	E CAPACITOR	47uF 16V M		R473	NRSA6AJ-473W	MG RESISTOR	47kΩ 1/16W J	
C914	NCBA1CK-103W	C CAPACITOR	0.01uF 16V K		R474	NRSA6AJ-203W	MG RESISTOR	20kΩ 1/16W J	
C915	QEKJ1EM-106Z	E CAPACITOR	10uF 25V M		R475	NRSA6AJ-103W	MG RESISTOR	10kΩ 1/16W J	
C916	QEKJ1EM-106Z	E CAPACITOR	10uF 25V M		R476	NRSA6AJ-103W	MG RESISTOR	10kΩ 1/16W J	
C917	NCBA1CK-104W	C CAPACITOR	0.1uF 16V K		R477	NRSA6AJ-103W	MG RESISTOR	10kΩ 1/16W J	
C919	QEKJ1CM-226Z	E CAPACITOR	22uF 16V M		R481	NRSA6AJ-224W	MG RESISTOR	220kΩ 1/16W J	
C920	NCBA1CK-473W	C CAPACITOR	0.047uF 16V K		R482	NRSA6AJ-473W	MG RESISTOR	47kΩ 1/16W J	
C925	NCBA1AK-104W	C CAPACITOR	0.1uF 10V K		R483	NRSA6AJ-473W	MG RESISTOR	47kΩ 1/16W J	
C926	NCB31AK-105X	C CAPACITOR	1uF 10V K		R484	NRSA6AJ-203W	MG RESISTOR	20kΩ 1/16W J	
C927	NCBA1AK-104W	C CAPACITOR	0.1uF 10V K		R485	NRSA6AJ-103W	MG RESISTOR	10kΩ 1/16W J	
C928	NCBA1HK-102W	C CAPACITOR	1000pF 50V K		R486	NRSA6AJ-103W	MG RESISTOR	10kΩ 1/16W J	
C929	NDC31HJ-681X	C CAPACITOR	680pF 50V J		R487	NRSA6AJ-103W	MG RESISTOR	10kΩ 1/16W J	
C930	NCB31AK-105X	C CAPACITOR	1uF 10V K		R701	NRSA63J-471X	MG RESISTOR	470Ω 1/16W J	
C931	NCJ11EK-106X-A	C CAPACITOR	10uF 25V K		R702	NRSA6AJ-392W	MG RESISTOR	3.9kΩ 1/16W J	
C932	NCJ11EK-106X-A	C CAPACITOR	10uF 25V K		R703	NRSA6AJ-562W	MG RESISTOR	5.6kΩ 1/16W J	
C933	NCB10JK-106X-A	C CAPACITOR	10uF 6.3V K		R704	NRSA6AJ-271W	MG RESISTOR	270Ω 1/16W J	
C934	NCB10JK-106X-A	C CAPACITOR	10uF 6.3V K		R705	NRSA6AJ-271W	MG RESISTOR	270Ω 1/16W J	
C935	QEZ0595-477Z	E CAPACITOR	470uF 25V M		R711	NRSA6AJ-271W	MG RESISTOR	270Ω 1/16W J	A
C953	NCBA1AK-104W	C CAPACITOR	0.1uF 10V K		R731	NRSA6AJ-101W	MG RESISTOR	100Ω 1/16W J	
C955	NDC31HJ-120X	C CAPACITOR	12pF 50V J		R732	NRSA6AJ-473W	MG RESISTOR	47kΩ 1/16W J	
C962	NCBA1AK-473W	C CAPACITOR	0.047uF 10V K		R733	NRSA6AJ-152W	MG RESISTOR	1.5kΩ 1/16W J	
C964	NCBA1AK-473W	C CAPACITOR	0.047uF 10V K		R734	NRSA6AJ-152W	MG RESISTOR	1.5kΩ 1/16W J	
C966	NCBA1CK-103W	C CAPACITOR	0.01uF 16V K		R735	NRSA6AJ-103W	MG RESISTOR	10kΩ 1/16W J	
C967	NCBA1AK-473W	C CAPACITOR	0.047uF 10V K		R736	NRSA6AJ-103W	MG RESISTOR	10kΩ 1/16W J	
C974	NCB31HK-102X	C CAPACITOR	1000pF 50V K		R737	NRSA6AJ-104W	MG RESISTOR	100kΩ 1/16W J	
C975	QEKJ1AM-227Z	E CAPACITOR	220uF 10V M		R738	NRSA6AJ-104W	MG RESISTOR	100kΩ 1/16W J	
C981	NCBA1CK-104W	C CAPACITOR	0.1uF 16V K		R739	NRSA6AJ-472W	MG RESISTOR	4.7kΩ 1/16W J	
R1	NRSA63J-474X	MG RESISTOR	470kΩ 1/16W J		R740	NRSA6AJ-472W	MG RESISTOR	4.7kΩ 1/16W J	
R2	NRSA63J-474X	MG RESISTOR	470kΩ 1/16W J		R741	NRSA6AJ-473W	MG RESISTOR	47kΩ 1/16W J	
R3	NRSA63J-101X	MG RESISTOR	100Ω 1/16W J		R743	NRSA6AJ-472W	MG RESISTOR	4.7kΩ 1/16W J	
R4	NRSA6AJ-472W	MG RESISTOR	4.7kΩ 1/16W J		R744	NRSA6AJ-472W	MG RESISTOR	4.7kΩ 1/16W J	
					R745	NRSA6AJ-103W	MG RESISTOR	10kΩ 1/16W J	A,B

△ Symbol No.	Part No.	Part Name	Description	Local	△ Symbol No.	Part No.	Part Name	Description	Local
R746	NRSA6AJ-103W	MG RESISTOR	10kΩ 1/16W J	B,C,D,E,F,G, H,I,J,K,L,M,N	R972	NRS181J-221X	MG RESISTOR	220Ω 1/8W J	
R747	NRSA6AJ-103W	MG RESISTOR	10kΩ 1/16W J		R976	NRSA63J-563X	MG RESISTOR	56kΩ 1/16W J	
R748	NRSA6AJ-331W	MG RESISTOR	330Ω 1/16W J		R977	NRSA63J-183X	MG RESISTOR	18kΩ 1/16W J	
R749	NRSA6AJ-331W	MG RESISTOR	330Ω 1/16W J		R981	NRS181J-332X	MG RESISTOR	3.3kΩ 1/8W J	
R750	NRSA6AJ-152W	MG RESISTOR	1.5kΩ 1/16W J		L1	NQL093K-R47X	COIL	0.47uH K	
R751	NRSA6AJ-432W	MG RESISTOR	4.3kΩ 1/16W J		L2	NQL093K-1R8X	COIL	1.8uH K	
R752	NRSA6AJ-0R0W	MG RESISTOR	0Ω 1/16W J		L3	QQL213M-R22Z	COIL	0.22uH M	
R754	NRSA6AJ-222W	MG RESISTOR	2.2kΩ 1/16W J		L4	QQR1813-001	COIL		
R755	NRSA6AJ-222W	MG RESISTOR	2.2kΩ 1/16W J		L5	NQL114K-561X	P COIL	560uH K	
R756	NRSA6AJ-222W	MG RESISTOR	2.2kΩ 1/16W J		L6	NQL114K-561X	P COIL	560uH K	
R757	NRSA6AJ-224W	MG RESISTOR	220kΩ 1/16W J		L8	QQL244J-4R7Z	P COIL	4.7uH J	
R758	NRSA6AJ-224W	MG RESISTOR	220kΩ 1/16W J		△ L901	QQR0703-001	CHOKO COIL		
R760	NRSA6AJ-222W	MG RESISTOR	2.2kΩ 1/16W J	A	△ L901 or	QQR1852-001	CHOKO COIL		
R761	NRSA6AJ-223W	MG RESISTOR	22kΩ 1/16W J	A	L922	QQL92AK-330Z	COIL	33uH K	
R762	NRSA6AJ-333W	MG RESISTOR	33kΩ 1/16W J		L923	NQLB7GM-100X	COIL	10uH M	
R763	NRSA6AJ-103W	MG RESISTOR	10kΩ 1/16W J		L951	QQL244J-470Z	COIL	47uH J	
R764	NRSA6AJ-183W	MG RESISTOR	18kΩ 1/16W J		CN701	QGZ1601J1-15	CONNECTOR	(1-15)	
R765	NRSA6AJ-222W	MG RESISTOR	2.2kΩ 1/16W J		CN702	QNS0283-001	STEERING REMOTE		A
R766	NRSA6AJ-101W	MG RESISTOR	100Ω 1/16W J		CN901	QNZ0607-001	CAR CONNECTOR		
R767	NRSA6AJ-101W	MG RESISTOR	100Ω 1/16W J		CN961	QGF0534F3-50X	CONNECTOR	FFC/FPC (1-50)	
R768	NRSA6AJ-472W	MG RESISTOR	4.7kΩ 1/16W J		J1	QNB0190-001	ANT TERMINAL		
R769	NRSA6AJ-472W	MG RESISTOR	4.7kΩ 1/16W J		J321	QNN0771-001	3P PIN JACK		A
R770	NRSA6AJ-0R0W	MG RESISTOR	0Ω 1/16W J		J321	QNN0770-001	3P PIN JACK		B,C,D,E,F,G, H,I,J,K,L,M,N
R771	NRSA6AJ-472W	MG RESISTOR	4.7kΩ 1/16W J		J801	QNZ0095-001	CONNECTOR		
R780	NRSA6AJ-103W	MG RESISTOR	10kΩ 1/16W J		K411	NQR0201-004X	FERRITE BEADS		
R782	NRSA6AJ-682W	MG RESISTOR	6.8kΩ 1/16W J		K711	NQR0007-002X	FERRITE BEADS		A
R783	NRSA6AJ-562W	MG RESISTOR	5.6kΩ 1/16W J		K721	NQR0022-005X	FERRITE BEADS		
R784	NRSA6AJ-393W	MG RESISTOR	39kΩ 1/16W J		S732	QSW0648-001Z	TACT SWITCH		
R785	NRSA6AJ-222W	MG RESISTOR	2.2kΩ 1/16W J		X1	QAX0928-001Z	CRYSTAL		
R786	NRSA6AJ-222W	MG RESISTOR	2.2kΩ 1/16W J		X721	QAX0401-001	CRYSTAL	32.768KHz	
R787	NRSA6AJ-222W	MG RESISTOR	2.2kΩ 1/16W J		X722	QAX0916-001Z	CRYSTAL		
R789	NRSA6AJ-472W	MG RESISTOR	4.7kΩ 1/16W J						
R790	NRSA6AJ-393W	MG RESISTOR	39kΩ 1/16W J						
R791	NRSA6AJ-473W	MG RESISTOR	47kΩ 1/16W J						
R793	NRSA6AJ-222W	MG RESISTOR	2.2kΩ 1/16W J						
R795	NRSA6AJ-0R0W	MG RESISTOR	0Ω 1/16W J						
R796	NRSA6AJ-101W	MG RESISTOR	100Ω 1/16W J						
R797	NRSA6AJ-101W	MG RESISTOR	100Ω 1/16W J						
R798	NRSA6AJ-472W	MG RESISTOR	4.7kΩ 1/16W J						
R799	NRSA6AJ-102W	MG RESISTOR	1kΩ 1/16W J						
R801	NRSA6AJ-0R0W	MG RESISTOR	0Ω 1/16W J						
R802	NRSA6AJ-104W	MG RESISTOR	100kΩ 1/16W J						
R803	NRSA6AJ-682W	MG RESISTOR	6.8kΩ 1/16W J						
R804	NRSA6AJ-392W	MG RESISTOR	3.9kΩ 1/16W J						
R805	NRSA6AJ-473W	MG RESISTOR	47kΩ 1/16W J						
R806	NRSA6AJ-101W	MG RESISTOR	100Ω 1/16W J						
R807	NRSA6AJ-104W	MG RESISTOR	100kΩ 1/16W J						
R808	NRSA6AJ-101W	MG RESISTOR	100Ω 1/16W J						
R809	NRSA6AJ-473W	MG RESISTOR	47kΩ 1/16W J						
R810	NRSA6AJ-392W	MG RESISTOR	3.9kΩ 1/16W J						
R811	NRSA6AJ-682W	MG RESISTOR	6.8kΩ 1/16W J						
R812	NRSA6AJ-104W	MG RESISTOR	100kΩ 1/16W J						
R813	NRSA6AJ-103W	MG RESISTOR	10kΩ 1/16W J						
R814	NRSA6AJ-103W	MG RESISTOR	10kΩ 1/16W J						
R851	NRSA6AJ-472W	MG RESISTOR	4.7kΩ 1/16W J	C,D,E,F,G,H,I, J,K,L,M,N					
R852	NRSA6AJ-473W	MG RESISTOR	47kΩ 1/16W J	C,D,E,F,G,H,I, J,K,L,M,N					
R853	NRS181J-102X	MG RESISTOR	1kΩ 1/8W J	C,D,E,F,G,H,I, J,K,L,M,N					
R861	NRSA6AJ-471W	MG RESISTOR	470Ω 1/16W J		Q2	RT1N141U-X	DIGI TRANSISTOR		
R885	NRSA6AJ-223W	MG RESISTOR	22kΩ 1/16W J		Q4	2SC3928A/R/-X	TRANSISTOR		
R886	NRSA6AJ-153W	MG RESISTOR	15kΩ 1/16W J		Q4 or	2SD601A/R/-X	TRANSISTOR		
R887	NRSA6AJ-103W	MG RESISTOR	10kΩ 1/16W J		Q7	2SC3928A/R/-X	TRANSISTOR		
R901	QRE142J-102X	C RESISTOR	1kΩ 1/4W J		Q7 or	2SD601A/R/-X	TRANSISTOR		
R902	NRS181J-912X	MG RESISTOR	9.1kΩ 1/8W J		Q101	2SB1424/R/-W	TRANSISTOR		
R903	NRSA63J-472X	MG RESISTOR	4.7kΩ 1/16W J		Q102	2SC4617/R/-X	TRANSISTOR		
R912	NRSA6AJ-0R0W	MG RESISTOR	0Ω 1/16W J		Q103	2SB1424/R/-W	TRANSISTOR		
R921	NRSA63D-152X	MG RESISTOR	1.5kΩ 1/16W D		Q104	2SC4617/R/-X	TRANSISTOR		
R922	NRSA63D-103X	MG RESISTOR	10kΩ 1/16W D		Q105	2SC4617/R/-X	TRANSISTOR		
R923	NRSA63J-244X	MG RESISTOR	240kΩ 1/16W J		Q106	2SK3546J-X	MOS FET		
R924	NRSA63J-202X	MG RESISTOR	2kΩ 1/16W J		Q107	2SK3546J-X	MOS FET		
R925	NRSA63J-102X	MG RESISTOR	1kΩ 1/16W J		Q301	RT1N441U-X	DIGI TRANSISTOR		
R926	NRSA63J-682X	MG RESISTOR	6.8kΩ 1/16W J		Q302	RT1N441U-X	DIGI TRANSISTOR		
R927	NRSA63J-474X	MG RESISTOR	470kΩ 1/16W J		D6	AN1102W-6-X	IR LED		
R928	NRS181J-100X	MG RESISTOR	10Ω 1/8W J		D7	AN1102W-6-X	IR LED		
R929	NRS181J-100X	MG RESISTOR	10Ω 1/8W J		D9	PS1192HB-22-X	PHOTO TRANSISTOR		
R961	NRSA6AJ-101W	MG RESISTOR	100Ω 1/16W J		D11	PS1192HB-22-X	PHOTO TRANSISTOR		

Front end board

Block No. [0][5]

△ Symbol No.	Part No.	Part Name	Description	Local
IC1	BD8215EFV-X	IC		
IC3	MM3233CF-X	IC		
IC301	MN2DS0018MA	IC		
IC302	MM1701CH-X	IC		
IC398	JVM439B	IC		
IC399	V54C3128164VCI7	IC		
IC399 or	M12L128168A-7TG	IC(DIGITAL)		
IC399 or	HY57V281620FTH	IC(DIGITAL)		
IC400	AK4387ET-X	IC		
IC481	BR24S32FVT-W-X	IC(DIGITAL)		
IC501	TC74LCX373FT-X	IC(DIGITAL)		
IC502	TC74LCX373FT-X	IC(DIGITAL)		
Q2	RT1N141U-X	DIGI TRANSISTOR		
Q4	2SC3928A/R/-X	TRANSISTOR		
Q4 or	2SD601A/R/-X	TRANSISTOR		
Q7	2SC3928A/R/-X	TRANSISTOR		
Q7 or	2SD601A/R/-X	TRANSISTOR		
Q101	2SB1424/R/-W	TRANSISTOR		
Q102	2SC4617/R/-X	TRANSISTOR		
Q103	2SB1424/R/-W	TRANSISTOR		
Q104	2SC4617/R/-X	TRANSISTOR		
Q105	2SC4617/R/-X	TRANSISTOR		
Q106	2SK3546J-X	MOS FET		
Q107	2SK3546J-X	MOS FET		
Q301	RT1N441U-X	DIGI TRANSISTOR		
Q302	RT1N441U-X	DIGI TRANSISTOR		
D6	AN1102W-6-X	IR LED		
D7	AN1102W-6-X	IR LED		
D9	PS1192HB-22-X	PHOTO TRANSISTOR		
D11	PS1192HB-22-X	PHOTO TRANSISTOR		

△ Symbol No.	Part No.	Part Name	Description	Local	△ Symbol No.	Part No.	Part Name	Description	Local
C2	NCB31CK-104X	C CAPACITOR	0.1uF 16V K		C135	NCB31CK-104X	C CAPACITOR	0.1uF 16V K	
C3	NCB31CK-104X	C CAPACITOR	0.1uF 16V K		C136	NCB31CK-104X	C CAPACITOR	0.1uF 16V K	
C4	NCB31CK-104X	C CAPACITOR	0.1uF 16V K		C137	NBE20JM-226X	TA E CAPACITOR	22uF 6.3V M	
C5	NCB31CK-104X	C CAPACITOR	0.1uF 16V K		C139	NBE20JM-226X	TA E CAPACITOR	22uF 6.3V M	
C6	NCB31CK-104X	C CAPACITOR	0.1uF 16V K		C142	NCB31CK-104X	C CAPACITOR	0.1uF 16V K	
C7	NCB31CK-104X	C CAPACITOR	0.1uF 16V K		C143	NBE20JM-226X	TA E CAPACITOR	22uF 6.3V M	
C8	NCB31CK-104X	C CAPACITOR	0.1uF 16V K		C145	NBE41AM-476X	TA E CAPACITOR	47uF 10V M	
C9	NCB31CK-104X	C CAPACITOR	0.1uF 16V K		C148	NCB31HK-331X	C CAPACITOR	330pF 50V K	
C11	NCB31CK-104X	C CAPACITOR	0.1uF 16V K		C149	NCB31CK-104X	C CAPACITOR	0.1uF 16V K	
C12	NCB31CK-104X	C CAPACITOR	0.1uF 16V K		C151	NCB31CK-473X	C CAPACITOR	0.047uF 16V K	
C13	NCB31CK-104X	C CAPACITOR	0.1uF 16V K		C155	NDC31HJ-101X	C CAPACITOR	100pF 50V J	
C14	NCB31CK-104X	C CAPACITOR	0.1uF 16V K		C156	NCB31CK-104X	C CAPACITOR	0.1uF 16V K	
C15	NCB31CK-104X	C CAPACITOR	0.1uF 16V K		C161	NCB31CK-104X	C CAPACITOR	0.1uF 16V K	
C16	NCB31CK-104X	C CAPACITOR	0.1uF 16V K		C162	NCB31CK-104X	C CAPACITOR	0.1uF 16V K	
C17	NCB31CK-104X	C CAPACITOR	0.1uF 16V K		C164	NCB21CK-105X	C CAPACITOR	1uF 16V K	
C18	NCB31CK-104X	C CAPACITOR	0.1uF 16V K		C167	NDC31HJ-272X	C CAPACITOR	2700pF 50V J	
C19	NCB31CK-104X	C CAPACITOR	0.1uF 16V K		C170	NCB31CK-104X	C CAPACITOR	0.1uF 16V K	
C20	NCB31CK-104X	C CAPACITOR	0.1uF 16V K		C173	NCB31CK-104X	C CAPACITOR	0.1uF 16V K	
C21	NBE41AM-226X	TA E CAPACITOR	22uF 10V M		C174	NCB31CK-104X	C CAPACITOR	0.1uF 16V K	
C22	NBE41AM-476X	TA E CAPACITOR	47uF 10V M		C175	NBE51CM-476X	TA E CAPACITOR	47uF 16V M	
C23	NBE41AM-476X	TA E CAPACITOR	47uF 10V M		C176	NCB31CK-104X	C CAPACITOR	0.1uF 16V K	
C24	NCB31CK-104X	C CAPACITOR	0.1uF 16V K		C177	NCB31CK-104X	C CAPACITOR	0.1uF 16V K	
C25	NCB31CK-104X	C CAPACITOR	0.1uF 16V K		C178	NCB31CK-104X	C CAPACITOR	0.1uF 16V K	
C26	NCB31CK-104X	C CAPACITOR	0.1uF 16V K		C197	NCB31CK-104X	C CAPACITOR	0.1uF 16V K	
C31	NCB31HK-681X	C CAPACITOR	680pF 50V K		C199	NCB31CK-104X	C CAPACITOR	0.1uF 16V K	
C32	NCB31HK-561X	C CAPACITOR	560pF 50V K		C200	NBE40JM-476X	TA E CAPACITOR	47uF 6.3V M	
C60	NCB31HK-103X	C CAPACITOR	0.01uF 50V K		C201	NCB31CK-104X	C CAPACITOR	0.1uF 16V K	
C63	NBE20JM-226X	TA E CAPACITOR	22uF 6.3V M		C205	NCB21AK-225X	C CAPACITOR	2.2uF 10V K	
C65	NCB31CK-104X	C CAPACITOR	0.1uF 16V K		C206	NDC31HJ-222X	C CAPACITOR	2200pF 50V J	
C66	NCB31CK-104X	C CAPACITOR	0.1uF 16V K		C211	NCB31CK-104X	C CAPACITOR	0.1uF 16V K	
C67	NCB31HK-103X	C CAPACITOR	0.01uF 50V K		C215	NDC31HJ-181X	C CAPACITOR	180pF 50V J	
C68	NCB31CK-104X	C CAPACITOR	0.1uF 16V K		C216	NCB31CK-104X	C CAPACITOR	0.1uF 16V K	
C69	NCB21CK-105X	C CAPACITOR	1uF 16V K		C218	NCB31CK-104X	C CAPACITOR	0.1uF 16V K	
C70	NCB31CK-104X	C CAPACITOR	0.1uF 16V K		C219	NCB31CK-223X	C CAPACITOR	0.022uF 16V K	
C71	NCB31CK-104X	C CAPACITOR	0.1uF 16V K		C220	NCB31HK-102X	C CAPACITOR	1000pF 50V K	
C72	NCB31CK-105X	C CAPACITOR	1uF 16V K		C222	NCB31CK-104X	C CAPACITOR	0.1uF 16V K	
C73	NCB31CK-104X	C CAPACITOR	0.1uF 16V K		C223	NCB31HK-102X	C CAPACITOR	1000pF 50V K	
C74	NCB31CK-104X	C CAPACITOR	0.1uF 16V K		C224	NCB21AK-225X	C CAPACITOR	2.2uF 10V K	
C75	NCB31CK-104X	C CAPACITOR	0.1uF 16V K		C225	NBE51CM-476X	TA E CAPACITOR	47uF 16V M	
C76	NCB31CK-104X	C CAPACITOR	0.1uF 16V K		C228	NCB31HK-102X	C CAPACITOR	1000pF 50V K	
C77	NCB31CK-104X	C CAPACITOR	0.1uF 16V K		C229	NCB31CK-223X	C CAPACITOR	0.022uF 16V K	
C78	NCB31CK-104X	C CAPACITOR	0.1uF 16V K		C232	NBE51CM-476X	TA E CAPACITOR	47uF 16V M	
C79	NCB31CK-104X	C CAPACITOR	0.1uF 16V K		C233	NCB21CK-105X	C CAPACITOR	1uF 16V K	
C80	NCB21CK-105X	C CAPACITOR	1uF 16V K		C235	NCB31HK-102X	C CAPACITOR	1000pF 50V K	
C81	NDC31HJ-120X	C CAPACITOR	12pF 50V J		C237	NDC31HJ-221X	C CAPACITOR	220pF 50V J	
C82	NDC31HJ-150X	C CAPACITOR	15pF 50V J		C238	NCB31CK-104X	C CAPACITOR	0.1uF 16V K	
C83	NCB31CK-104X	C CAPACITOR	0.1uF 16V K		C240	NCB31CK-104X	C CAPACITOR	0.1uF 16V K	
C84	NCB31CK-333X	C CAPACITOR	0.033uF 16V K		C241	NCB31CK-104X	C CAPACITOR	0.1uF 16V K	
C85	NCB31CK-104X	C CAPACITOR	0.1uF 16V K		R46	NRSA6AD-103W	MG RESISTOR	10kΩ 1/16W D	
C86	NCB31CK-104X	C CAPACITOR	0.1uF 16V K		R47	NRSA6AD-103W	MG RESISTOR	10kΩ 1/16W D	
C87	NCB31CK-104X	C CAPACITOR	0.1uF 16V K		R49	NRSA63J-0R0X	MG RESISTOR	0Ω 1/10W J	
C88	NCB31CK-104X	C CAPACITOR	0.1uF 16V K		R52	NRSA6AD-103W	MG RESISTOR	10kΩ 1/16W D	
C89	NCB31HK-183X	C CAPACITOR	0.018uF 50V K		R54	NRSA6AD-910W	MG RESISTOR	91Ω 1/16W D	
C90	NCB31HK-562X	C CAPACITOR	5600pF 50V K		R55	NRSA6AD-910W	MG RESISTOR	91Ω 1/16W D	
C91	NCB31CK-104X	C CAPACITOR	0.1uF 16V K		R56	NRSA63D-432X	MG RESISTOR	4.3kΩ 1/16W D	
C92	NCB21CK-105X	C CAPACITOR	1uF 16V K		R57	NRSA63D-242X	MG RESISTOR	2.4kΩ 1/16W D	
C93	NCB21CK-105X	C CAPACITOR	1uF 16V K		R58	NRS125J-390X	MG RESISTOR	39Ω 1/2W J	
C99	NCB31CK-104X	C CAPACITOR	0.1uF 16V K		R59	NRSA63J-2R2X	MG RESISTOR	2.2Ω 1/16W J	
C100	NCB31CK-684X	C CAPACITOR	0.68uF 16V K		R60	NRSA6AD-102W	MG RESISTOR	1kΩ 1/16W D	
C101	NCB31CK-104X	C CAPACITOR	0.1uF 16V K		R61	NRSA6AD-471W	MG RESISTOR	470Ω 1/16W D	
C102	NCB31CK-684X	C CAPACITOR	0.68uF 16V K		R62	NRSA6AD-471W	MG RESISTOR	470Ω 1/16W D	
C106	NCB31CK-104X	C CAPACITOR	0.1uF 16V K		R64	NRSA63D-432X	MG RESISTOR	4.3kΩ 1/16W D	
C109	NCB21CK-105X	C CAPACITOR	1uF 16V K		R65	NRSA63D-242X	MG RESISTOR	2.4kΩ 1/16W D	
C113	NCB21CK-105X	C CAPACITOR	1uF 16V K		R66	NRS125J-120X	MG RESISTOR	12Ω 1/2W J	
C117	NCB21CK-105X	C CAPACITOR	1uF 16V K		R67	NRSA63J-2R2X	MG RESISTOR	2.2Ω 1/16W J	
C118	NCB31HK-103X	C CAPACITOR	0.01uF 50V K		R68	NRSA6AD-102W	MG RESISTOR	1kΩ 1/16W D	
C121	NCB31CK-104X	C CAPACITOR	0.1uF 16V K		R69	NRSA63J-471X	MG RESISTOR	470Ω 1/16W J	
C122	NCB31CK-104X	C CAPACITOR	0.1uF 16V K		R70	NRSA6AD-331W	MG RESISTOR	330Ω 1/16W D	
C126	NCB31CK-104X	C CAPACITOR	0.1uF 16V K		R79	NRSA6AD-104W	MG RESISTOR	100kΩ 1/16W D	
C127	NCB31CK-104X	C CAPACITOR	0.1uF 16V K		R92	NRSA63J-473X	MG RESISTOR	47kΩ 1/16W J	
C128	NCB31CK-104X	C CAPACITOR	0.1uF 16V K		R93	NRSA63J-203X	MG RESISTOR	20kΩ 1/16W J	
C129	NCB31CK-104X	C CAPACITOR	0.1uF 16V K		R94	NRSA63J-223X	MG RESISTOR	22kΩ 1/16W J	
C130	NCB31CK-104X	C CAPACITOR	0.1uF 16V K		R99	NRSA63J-0R0X	MG RESISTOR	0Ω 1/10W J	
C131	NCB31CK-104X	C CAPACITOR	0.1uF 16V K		R100	NRSA6AD-103W	MG RESISTOR	10kΩ 1/16W D	
C132	NCB31CK-104X	C CAPACITOR	0.1uF 16V K		R107	NRSA63J-152X	MG RESISTOR	1.5kΩ 1/16W J	
C133	NCB31CK-104X	C CAPACITOR	0.1uF 16V K		R112	NRSA63J-223X	MG RESISTOR	22kΩ 1/16W J	
C134	NCB31CK-104X	C CAPACITOR	0.1uF 16V K		R117	NRSA6AD-103W	MG RESISTOR	10kΩ 1/16W D	

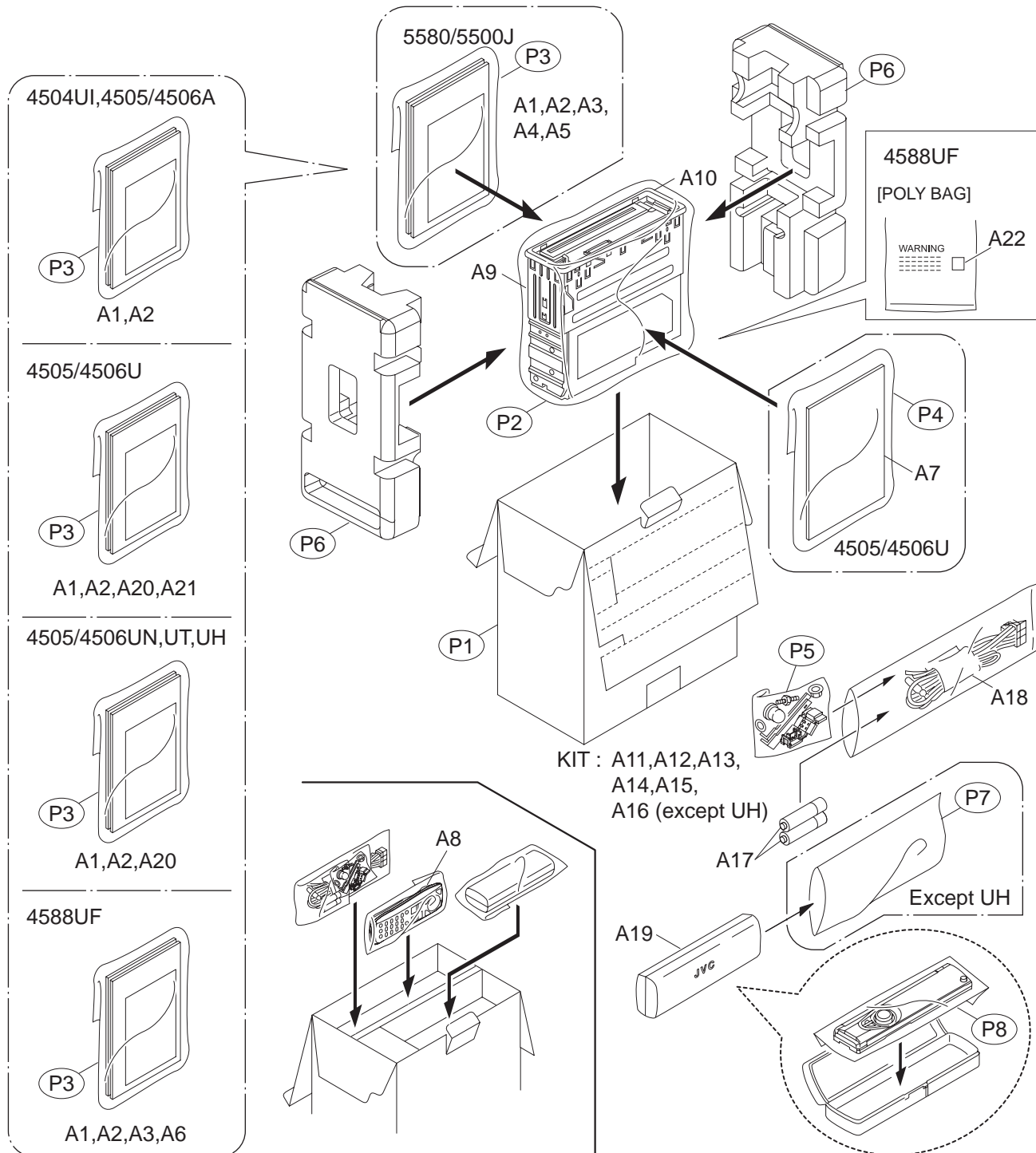
△ Symbol No.	Part No.	Part Name	Description	Local	△ Symbol No.	Part No.	Part Name	Description	Local
R120	NRSA63J-152X	MG RESISTOR	1.5kΩ 1/16W J		R386	NRSA6AD-184W	MG RESISTOR	180kΩ 1/16W D	
R122	NRSA6AD-103W	MG RESISTOR	10kΩ 1/16W D		R387	NRSA63D-473X	MG RESISTOR	47kΩ 1/16W D	
R128	NRSA6AD-270W	MG RESISTOR	27Ω 1/16W D		R391	NRSA6AD-822W	MG RESISTOR	8.2kΩ 1/16W D	
R129	NRSA6AD-103W	MG RESISTOR	10kΩ 1/16W D		R392	NRSA63J-103X	MG RESISTOR	10kΩ 1/16W J	
R131	NRSA6AD-102W	MG RESISTOR	1kΩ 1/16W D		R393	NRSA6AD-103W	MG RESISTOR	10kΩ 1/16W D	
R132	NRSA6AD-102W	MG RESISTOR	1kΩ 1/16W D		R394	NRSA63J-273X	MG RESISTOR	27kΩ 1/16W J	
R133	NRSA6AD-223W	MG RESISTOR	22kΩ 1/16W D		R397	NRSA6AD-101W	MG RESISTOR	100Ω 1/16W D	
R134	NRSA6AD-104W	MG RESISTOR	100kΩ 1/16W D		R400	NRSA6AD-153W	MG RESISTOR	15kΩ 1/16W D	
R137	NRSA63J-0R0X	MG RESISTOR	0Ω 1/10W J		R402	NRSA6AD-473W	MG RESISTOR	47kΩ 1/16W D	
R139	NRSA63J-0R0X	MG RESISTOR	0Ω 1/10W J		R403	NRSA63J-101X	MG RESISTOR	100Ω 1/16W J	
R141	NRSA63D-332X	MG RESISTOR	3.3kΩ 1/16W D		R406	NRS125J-R22X	MG RESISTOR	0.22Ω 1/2W J	
R142	NRSA63J-0R0X	MG RESISTOR	0Ω 1/10W J		R417	NRSA63J-183X	MG RESISTOR	18kΩ 1/16W J	
R143	NRSA6AD-101W	MG RESISTOR	100Ω 1/16W D		R419	NRSA63D-104X	MG RESISTOR	100kΩ 1/16W D	
R144	NRSA6AD-103W	MG RESISTOR	10kΩ 1/16W D		R420	NRSA6AD-184W	MG RESISTOR	180kΩ 1/16W D	
R145	NRSA6AD-103W	MG RESISTOR	10kΩ 1/16W D						
R152	NRSA63J-0R0X	MG RESISTOR	0Ω 1/10W J		L302	NQLJ6GK-100X	COIL	10uH K	
R153	NRSA63D-162X	MG RESISTOR	1.6kΩ 1/16W D		L303	NRSA02J-0R0X	MG RESISTOR	0Ω 1/10W J	
R155	NRSA63J-0R0X	MG RESISTOR	0Ω 1/10W J						
R156	NRSA63J-0R0X	MG RESISTOR	0Ω 1/10W J		CN1	QGF0523F3-20W	CONNECTOR	FFC/FPC (1-20)	
R160	NRSA63D-303X	MG RESISTOR	30kΩ 1/16W D		CN2	QGA1002F1-03X	CONNECTOR	W-B (1-3)	
R163	NRSA6AD-103W	MG RESISTOR	10kΩ 1/16W D		CN101	QGF0522F2-26W	CONNECTOR	FFC/FPC (1-26)	
R164	NRSA63J-181X	MG RESISTOR	180Ω 1/16W J		CN403	QGF0534F3-50X	CONNECTOR	FFC/FPC (1-50)	
R165	NRSA6AD-473W	MG RESISTOR	47kΩ 1/16W D		K101	NQR0007-002X	FERRITE BEADS		
R166	NRSA6AD-473W	MG RESISTOR	47kΩ 1/16W D		K102	NQR0007-002X	FERRITE BEADS		
R167	NRSA6AD-473W	MG RESISTOR	47kΩ 1/16W D		K103	NQR0502-001X	FERRITE BEADS		
R168	NRSA6AD-473W	MG RESISTOR	47kΩ 1/16W D		K108	NQR0129-002X	FERRITE BEADS		
R170	NRSA6AD-471W	MG RESISTOR	470Ω 1/16W D		K113	NQR0502-001X	FERRITE BEADS		
R171	NRSA63J-105X	MG RESISTOR	1MΩ 1/16W J		K114	NRSA63J-0R0X	MG RESISTOR	0Ω 1/10W J	
R172	NRSA6AD-101W	MG RESISTOR	100Ω 1/16W D		K115	NRSA63J-0R0X	MG RESISTOR	0Ω 1/10W J	
R173	NRSA6AD-101W	MG RESISTOR	100Ω 1/16W D		K117	NRSA63J-0R0X	MG RESISTOR	0Ω 1/10W J	
R174	NRSA6AD-101W	MG RESISTOR	100Ω 1/16W D		K118	NRSA63J-0R0X	MG RESISTOR	0Ω 1/10W J	
R177	NRSA63J-0R0X	MG RESISTOR	0Ω 1/10W J		K119	NRSA63J-0R0X	MG RESISTOR	0Ω 1/10W J	
R178	NRSA63J-0R0X	MG RESISTOR	0Ω 1/10W J		K120	NRSA63J-0R0X	MG RESISTOR	0Ω 1/10W J	
R181	NQR0129-002X	FERRITE BEADS			K121	NRSA63J-0R0X	MG RESISTOR	0Ω 1/10W J	
R189	NRSA6AD-331W	MG RESISTOR	330Ω 1/16W D		K131	NQR0022-005X	FERRITE BEADS		
R190	NRSA6AD-331W	MG RESISTOR	330Ω 1/16W D		K132	NQR0022-005X	FERRITE BEADS		
R195	NRSA6AD-102W	MG RESISTOR	1kΩ 1/16W D		K133	NQR0022-005X	FERRITE BEADS		
R211	NRSA6AD-473W	MG RESISTOR	47kΩ 1/16W D		K135	NQR0022-005X	FERRITE BEADS		
R213	NRSA63J-100X	MG RESISTOR	10Ω 1/16W J		K136	NQR0022-005X	FERRITE BEADS		
R215	NRSA63D-122X	MG RESISTOR	1.2kΩ 1/16W D		K137	NRSA63J-0R0X	MG RESISTOR	0Ω 1/10W J	
R216	NRSA63D-122X	MG RESISTOR	1.2kΩ 1/16W D		K141	NRSA63J-0R0X	MG RESISTOR	0Ω 1/10W J	
R217	NRSA6AD-100W	MG RESISTOR	10Ω 1/16W D		K142	NRSA63J-0R0X	MG RESISTOR	0Ω 1/10W J	
R219	NRSA63J-150X	MG RESISTOR	15Ω 1/16W J		S1	NSW0313-001X	DETECT SWITCH		
R220	NRSA63J-0R0X	MG RESISTOR	0Ω 1/10W J		TH491	NAD0025-103X	N THERMISTOR	10kΩ	
R226	NRSA6AD-473W	MG RESISTOR	47kΩ 1/16W D		X351	NAX0741-001X	CRYSTAL	27.000MHz	
R229	NRSA63J-0R0X	MG RESISTOR	0Ω 1/10W J						
R233	NRSA6AD-103W	MG RESISTOR	10kΩ 1/16W D						
R264	NRSA63J-0R0X	MG RESISTOR	0Ω 1/10W J						
R265	NRSA6AD-103W	MG RESISTOR	10kΩ 1/16W D						
R267	NRSA63D-472X	MG RESISTOR	4.7kΩ 1/16W D						
R268	NRSA63J-0R0X	MG RESISTOR	0Ω 1/10W J						
R309	NRS125J-R47X	MG RESISTOR	0.47Ω 1/2W J						
R310	NRSA6AD-333W	MG RESISTOR	33kΩ 1/16W D						
R311	NRSA63J-391X	MG RESISTOR	390Ω 1/16W J						
R318	NRSA63J-203X	MG RESISTOR	20kΩ 1/16W J						
R319	NRSA6AD-622W	MG RESISTOR	6.2kΩ 1/16W D						
R323	NRSA6AD-391W	MG RESISTOR	390Ω 1/16W D						
R324	NRSA63D-682X	MG RESISTOR	6.8kΩ 1/16W D						
R325	NRSA63D-753X	MG RESISTOR	75kΩ 1/16W D						
R329	NRS125J-R47X	MG RESISTOR	0.47Ω 1/2W J						
R330	NRSA63J-0R0X	MG RESISTOR	0Ω 1/10W J						
R352	NRSA6AD-102W	MG RESISTOR	1kΩ 1/16W D						
R357	NRS125J-R22X	MG RESISTOR	0.22Ω 1/2W J						
R359	NRSA6AD-243W	MG RESISTOR	24kΩ 1/16W D						
R362	NRSA63J-103X	MG RESISTOR	10kΩ 1/16W J						
R364	NRSA63J-391X	MG RESISTOR	390Ω 1/16W J						
R365	NRSA6AD-103W	MG RESISTOR	10kΩ 1/16W D						
R366	NRS125J-R22X	MG RESISTOR	0.22Ω 1/2W J						
R367	NRSA6AD-104W	MG RESISTOR	100kΩ 1/16W D						
R369	NRS125J-R22X	MG RESISTOR	0.22Ω 1/2W J						
R371	NRSA63J-0R0X	MG RESISTOR	0Ω 1/10W J						
R375	NRSA6AD-152W	MG RESISTOR	1.5kΩ 1/16W D						
R376	NRSA6AD-822W	MG RESISTOR	8.2kΩ 1/16W D						
R379	NRSA63D-332X	MG RESISTOR	3.3kΩ 1/16W D						
R380	NRSA63J-223X	MG RESISTOR	22kΩ 1/16W J						
R382	NRSA6AD-102W	MG RESISTOR	1kΩ 1/16W D						
R383	NRSA63J-223X	MG RESISTOR	22kΩ 1/16W J						
R384	NRSA6AD-104W	MG RESISTOR	100kΩ 1/16W D						

<MEMO>

Packing materials and accessories parts list

Block No. **M 3 M M**

No additional / supplemental order of WARRANTY CARDS are available.



The parts without symbol number are not service.

Packing and Accessories

Block No. [M][3][M][M]

△ Symbol No.	Part No.	Part Name	Description	Local
A 1	GET0587-001A	INST BOOK	ENG FRE SPA	A,B
A 1	GET0588-001A	INST BOOK	ENG	C,D,E,F,G,H,I,J,K,M,N
A 1	GET0589-001A	INST BOOK	CHI(PEKIN)	L
A 2	GET0587-002A	INSTALL MANUAL	ENG FRE SPA	A,B
A 2	GET0588-008A	INSTALL MANUAL	ENG	C,G,K
A 2	GET0588-005A	INSTALL MANUAL	ENG CHI(TAIWAN)	D,F,H,J
A 2	GET0588-007A	INSTALL MANUAL	ENG INA	E,I
A 2	GET0589-002A	INSTALL MANUAL	CHI(PEKIN)	L
A 2	GET0588-010A	INSTALL MANUAL	ENG THA	M,N
A 3	-----	WARRANTY CARD	BT-52008-1	A,B
A 3	-----	WARRANTY CARD	BT-59033-1	L
A 4	-----	WARRANTY CARD	BT-51029-3	A
A 4	-----	WARRANTY CARD	BT-51018-5	B
A 5	BT-51044-1	REGIS. CARD		A,B
A 6	BT-59022-9	SVC CENTER LIST		L
A 7	GET0588-002A	INST BOOK	ARA KOR PER THA	D,H
A 8	RM-RK255	REMOCON UNIT		
A 9	GE20137-003A	MOUNTING SLEEVE		
A 10	GE20235-001A	TRIM PLATE		A,B,H,I,J,K,L,N
A 10	GE20235-005A	TRIM PLATE		C,D,E,F,G
A 10	GE20235-012A	TRIM PLATE		M
A 11	VKZ4027-202	PLUG NUT		
A 12	VKH4871-003	MOUNT BOLT		
A 13	VKZ4328-003	LOCK NUT		
A 14	QYWWS53A008ZA	WASHER	0mm/5.3mm x	
A 15	GE40130-002A	HOOK	(x2)	
A 16	LV41478-001A	CORD CONNECTER		A,B,C,D,E,F,G,H,I,J,K,L
A 17	-----	BATTERY	(x2)	
A 18	QAM1182-001	POWER CORD		A,B
A 18	QAM1183-001	POWER CORD		C,D,E,F,G,H,I,J,K,L,M,N
A 19	GE32320-001A	HARD CASE ASSY		
A 20	GET0588-003A	INST BOOK	CHI(TAIWAN)	D,F,H,J
A 20	GET0588-004A	INST BOOK	INA	E,I
A 20	GET0588-009A	INST BOOK	THA	M,N
A 21	GET0588-006A	INSTALL MANUAL	ARA KOR PER THA	D,H
A 22	LV44928-301A	RECYCLE MARK		L
KIT	SRW-NX5000E	SCREW PARTS KIT	A11 A12 A13 A14 A15 A16	A,B,C,D,E,F,G,H,I,J,K,L
KIT	SRW-385U	SCREW PARTS KIT	A11 A12 A13 A14 A15	M,N
P 1	GE33551-001A	CARTON		A
P 1	GE33554-001A	CARTON		B
P 1	GE33577-002A	CARTON		C
P 1	GE33557-002A	CARTON		D,E,F,G,M
P 1	GE33560-002A	CARTON		H,I,J,K,N
P 1	GE33563-001A	CARTON		L
P 2	QPC03004315PB	POLY BAG	30cm x 43cm	
P 3	FSPG4002-001	POLY BAG		
P 4	FSPG4002-001	POLY BAG		D,H
P 5	QPA00801205	POLY BAG	8cm x 12cm	
P 6	GE10222-002A	EPS CUSHION		
P 7	QPA01003003	POLY BAG	10cm x 30cm	A,B,C,D,E,F,G,H,I,J,K,L
P 8	QPC01002515	POLY BAG	10cm x 25cm	

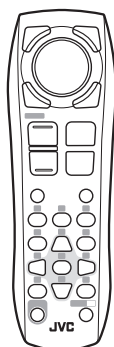
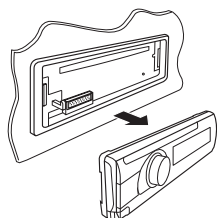
JVC

SCHEMATIC DIAGRAMS

DVD/CD RECEIVER

**KD-ADV5580J, KD-DV5500J,
KD-DV4504UI, KD-DV4505U,
KD-DV4505UN, KD-DV4505UT,
KD-DV4505A, KD-DV4506U,
KD-DV4506UN, KD-DV4506UT,
KD-DV4506A, KD-DV4588UF,
KD-DV4505UH, KD-DV4506UH**

DVD-ROM No.SML2009S2

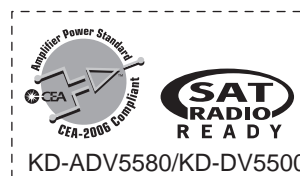


DOLBY
DIGITAL

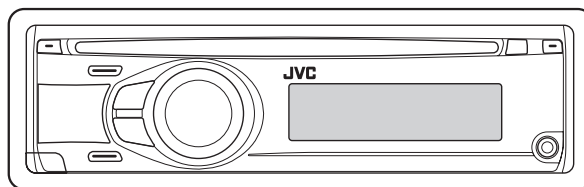
COMPACT
DISC
DIGITAL VIDEO

MP3 WMA WAV

DVD
VIDEO



KD-ADV5580/KD-DV5500



DIVX

KD-DV4506
KD-DV4505
KD-DV4504

Lead free solder used in the board (material : Sn-Ag-Cu, melting point : 219 Centigrade)
Lead free solder used in the board (material : Sn-Cu, melting point : 230 Centigrade)

Contents

Block diagram	2-1
Standard schematic diagrams	2-2
Printed circuit boards	2-6 to 10

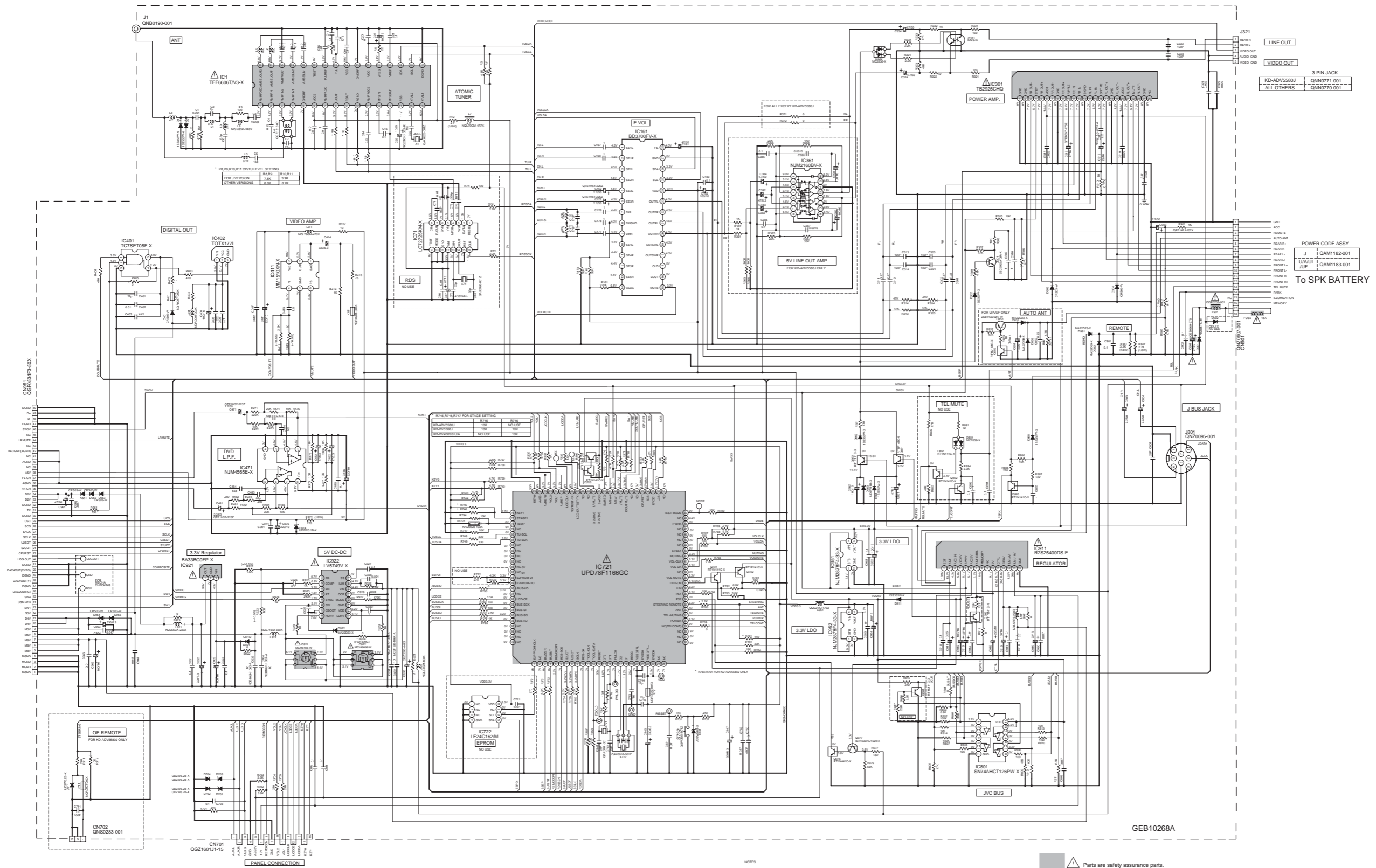
Safety precaution



CAUTION Burrs formed during molding may be left over on some parts of the chassis. Therefore, pay attention to such burrs in the case of performing repair of this system.

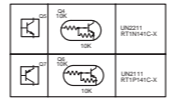
Standard schematic diagrams

Old Main section (Except DV4505/4506UH)



To Old DVD section

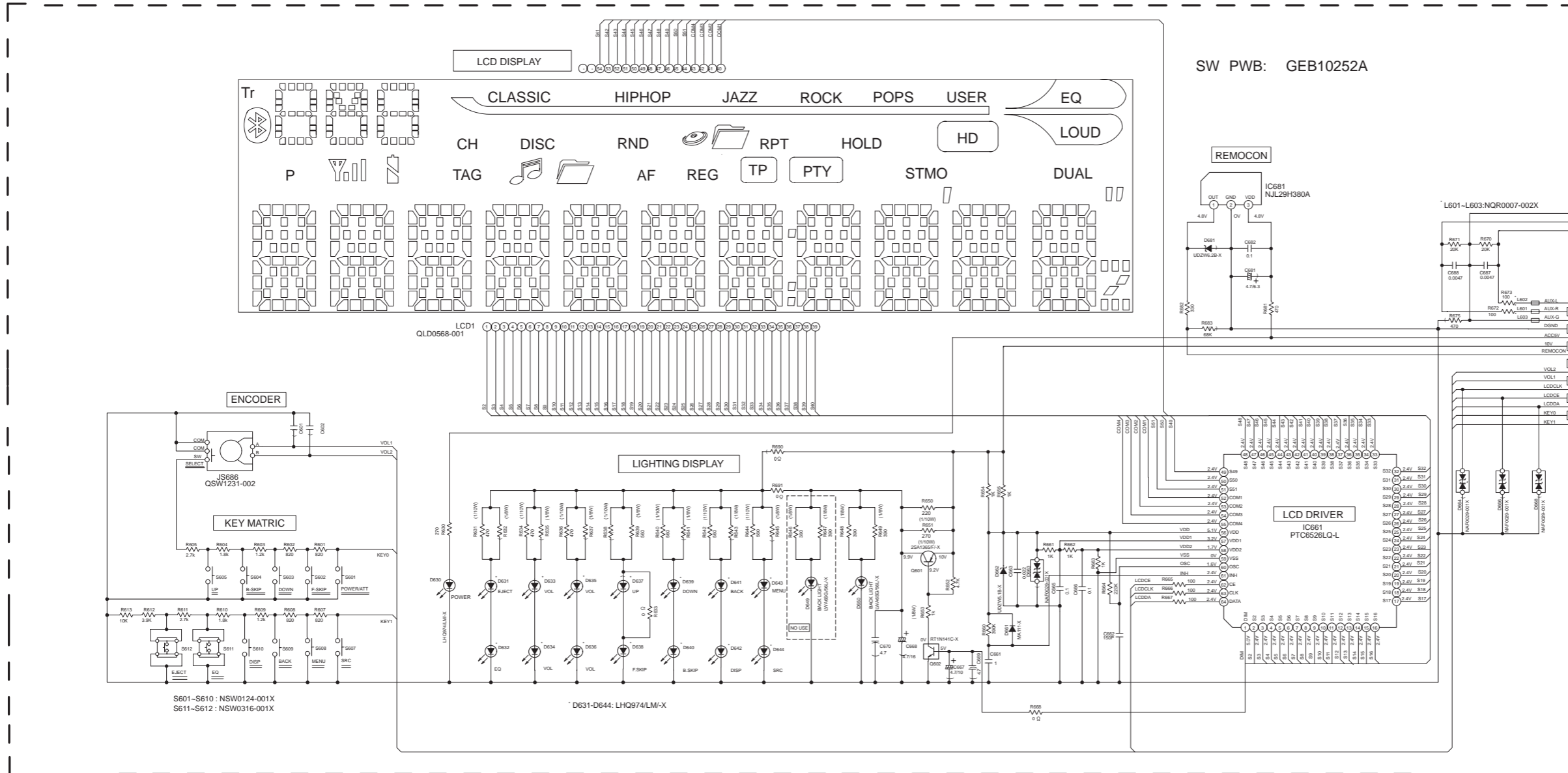
To LCD & Key connection section



- NOTES
- VOLTAGES ARE DC MEASURED WITH A DIGITAL VOLT METER WITHOUT INPUT SIGNAL. CONDITION - DVD MODE (), FM MODE (), AM MODE (), CH MODE (), USB MODE (). UNLESS OTHERWISE SPECIFIED.
 - ALL RESISTORS ARE 1/8W 0% METAL GLAZE RESISTOR. ALL CAPACITORS ARE 50V OR 25V CERAMIC CAPACITOR. ALL RESISTANCE VALUES ARE IN OHMS. ALL CAPACITANCE VALUES ARE IN (P/P/F).
 - ALL CAPACITORS ARE SHOWN IN THE FORM OF CAPACITANCE/(PURIFIED VOLTAGE).
 - F - FILM CAPACITOR.
 - 3 - IN STENCIL FOR NOT MOUNTED PARTS.

Parts are safety assurance parts. When replacing those parts make sure to use the specified one.

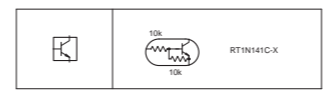
■ LCD & Key control section



SW PWB: GEB10252A

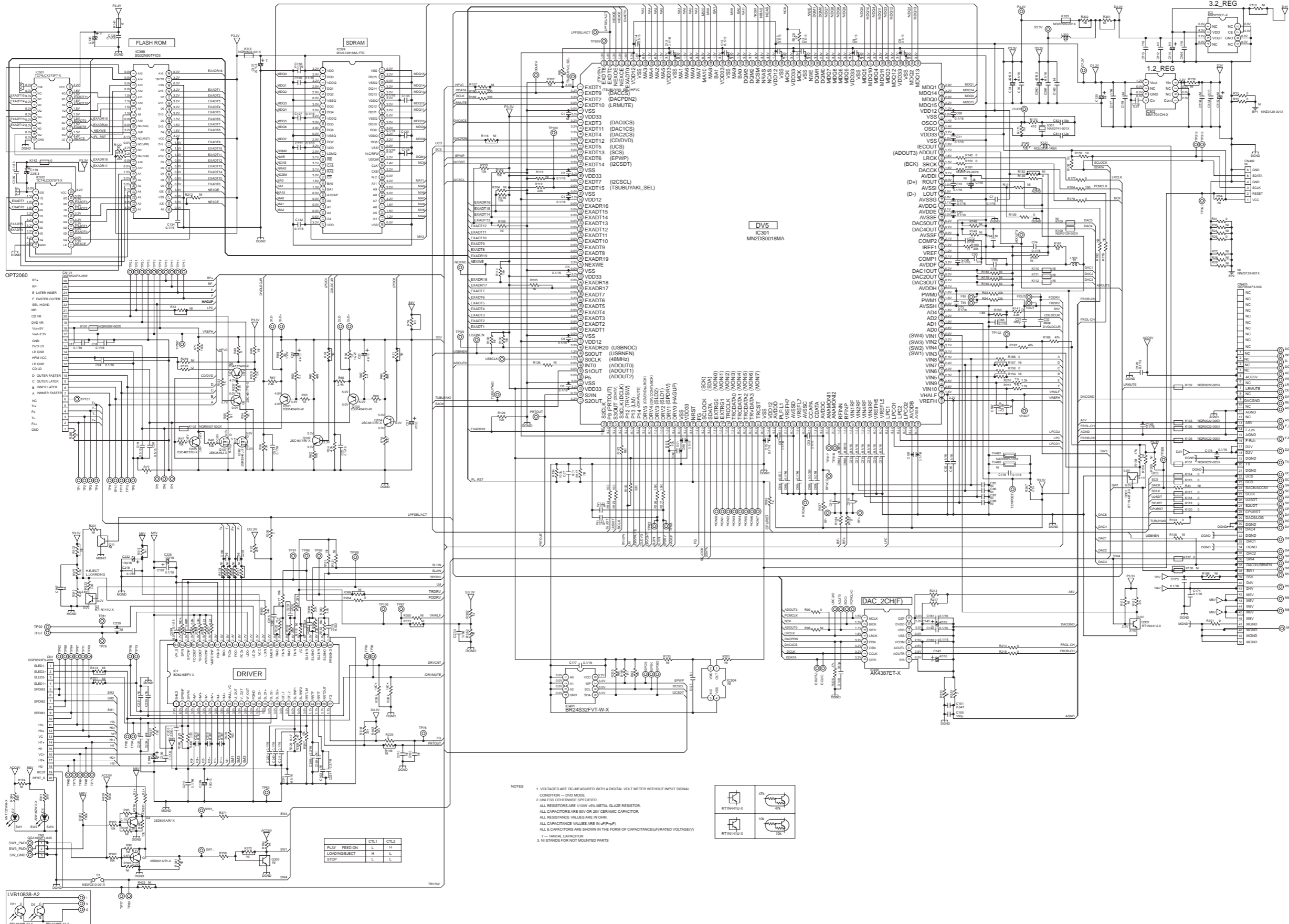
To Old Main section
(Except DV4505/4506UH)

To Main section (Common)



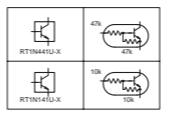
- NOTES
1. VOLTAGES ARE DC-MEASURED WITH A DIGITAL VOLT METER WITHOUT INPUT SIGNAL.
 2. UNLESS OTHERWISE SPECIFIED:
ALL RESISTORS ARE 1/16W ±5% METAL GLAZE RESISTOR.
ALL CAPACITORS ARE 50V OR 25V CERAMIC CAPACITOR.
ALL RESISTANCE VALUES ARE IN OHM.
ALL CAPACITANCE VALUES ARE IN pF(μF).
 3. ALL E-CAPACITORS ARE SHOWN IN THE FORM OF CAPACITANCE(μF)/RATED VOLTAGE(V).
T - TANTALUM CAPACITOR.
COMPONENTS IN () INDICATE NOT USE.

Old DVD section



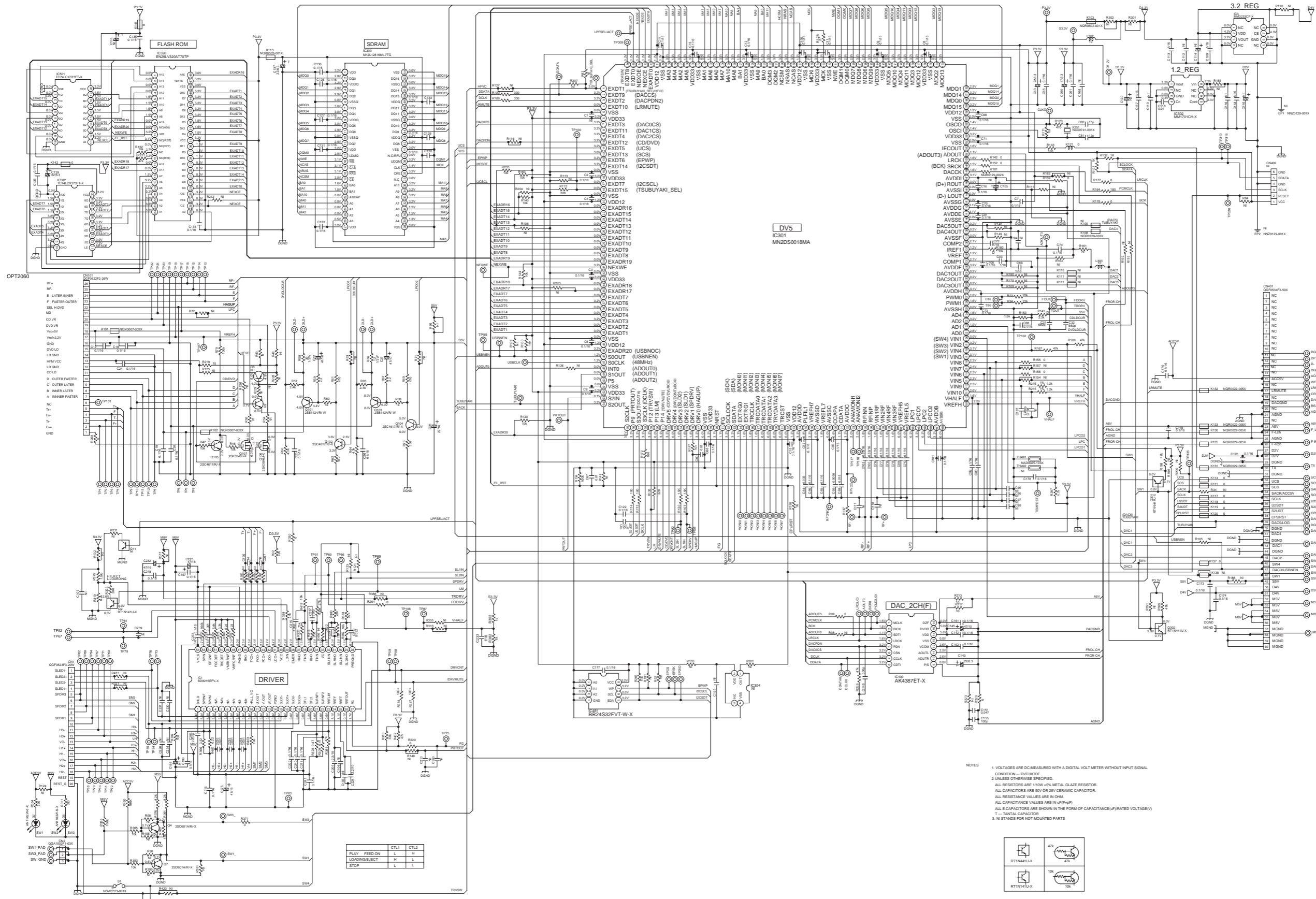
To Main section (Common)
To Old Main section
(Except DV4505/4506UH)

- NOTES
1. VOLTAGES ARE DC-MEASURED WITH A DIGITAL VOLT METER WITHOUT INPUT SIGNAL. CONDITION - DVD MODE
 2. UNLESS OTHERWISE SPECIFIED, ALL RESISTORS ARE 1% TOLERANCE METAL GLAZE RESISTOR. ALL CAPACITORS ARE 50V OR 50V CERAMIC CAPACITOR. ALL RESISTANCE VALUES ARE IN OHM. ALL CAPACITANCE VALUES ARE IN pF(pF)
 3. ALL CAPACITORS ARE SHOWN IN THE FORM OF CAPACITANCE(FRATED VOLTAGE(V))
 - T - TANTALUM CAPACITOR
 - N - STANDS FOR NOT MOUNTED PARTS



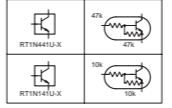
PLAY / REED ON	CTL1	CTL2
L	L	H
LOADING/JECT	H	L
STOP	L	L

DVD section



To Main section
(Common)

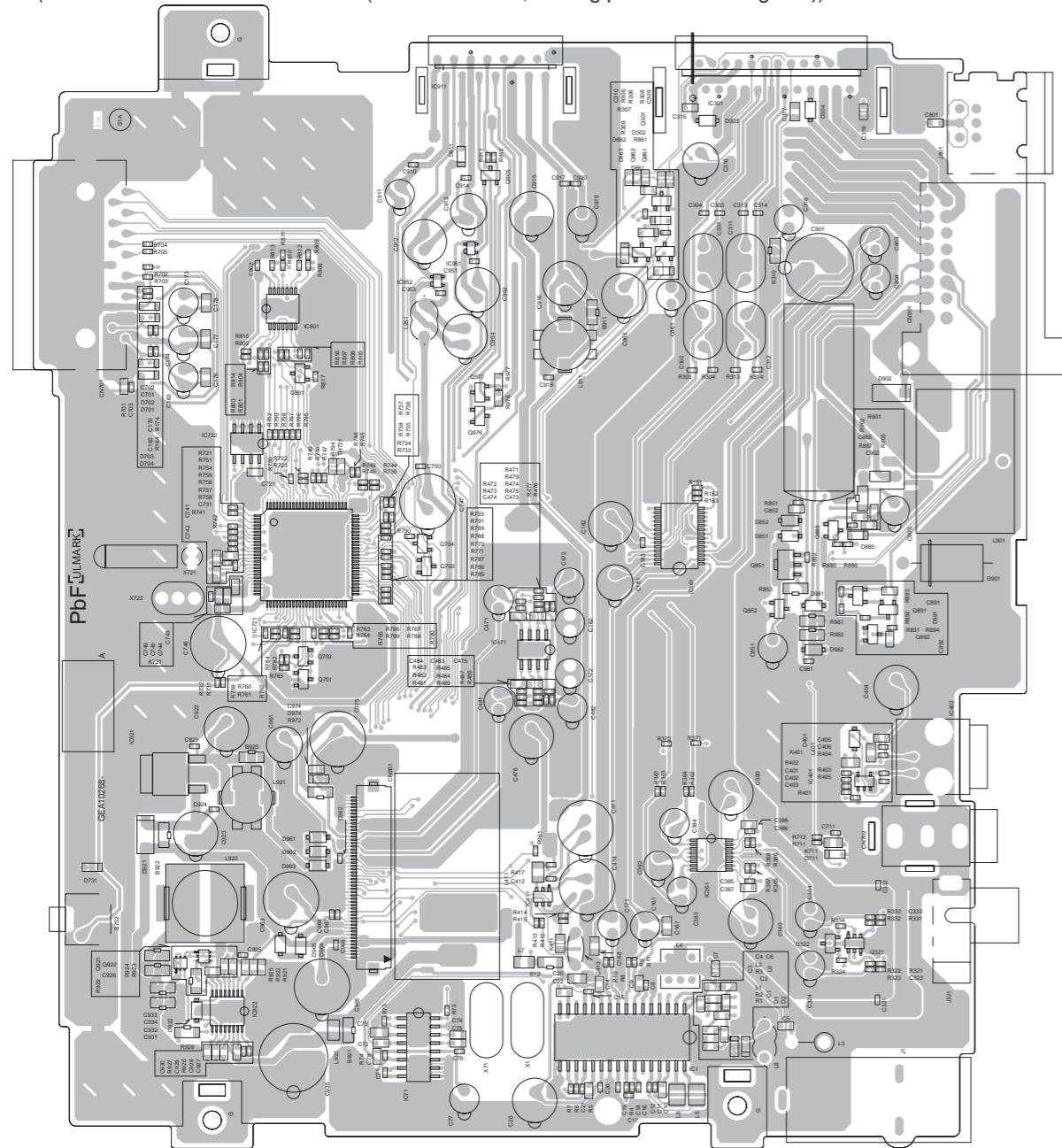
- NOTES
1. VOLTAGES ARE DC-MEASURED WITH A DIGITAL VOLT METER WITHOUT INPUT SIGNAL. CONDITION - DVD MODE.
 2. UNLESS OTHERWISE SPECIFIED.
 3. ALL RESISTORS ARE 1/10W ±5% METAL GLAZE RESISTOR.
 4. ALL CAPACITORS ARE 50V OR 20V CERAMIC CAPACITOR.
 5. ALL RESISTANCE VALUES ARE IN OHMS.
 6. ALL CAPACITANCE VALUES ARE IN (P/P=PF).
 7. ALL CAPACITORS ARE SHOWN IN THE FORM OF CAPACITANCE/(RATED VOLTAGE(V)).
 8. T = TANTALUM CAPACITOR.
 9. N STANDS FOR NOT MOUNTED PARTS.



Printed circuit boards

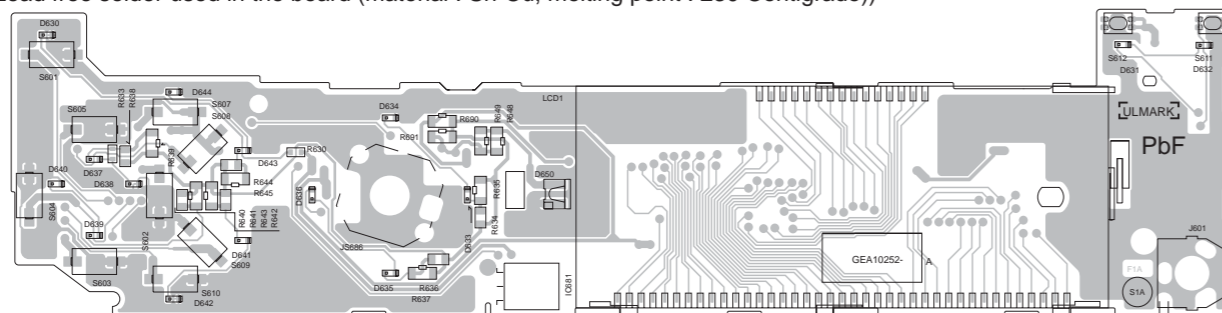
Old Main Board (Except DV4505/4506UH)(forward side)

(Lead free solder used in the board (material : Sn-Ag-Cu, melting point : 219 Centigrade))
 (Lead free solder used in the board (material : Sn-Cu, melting point : 230 Centigrade))



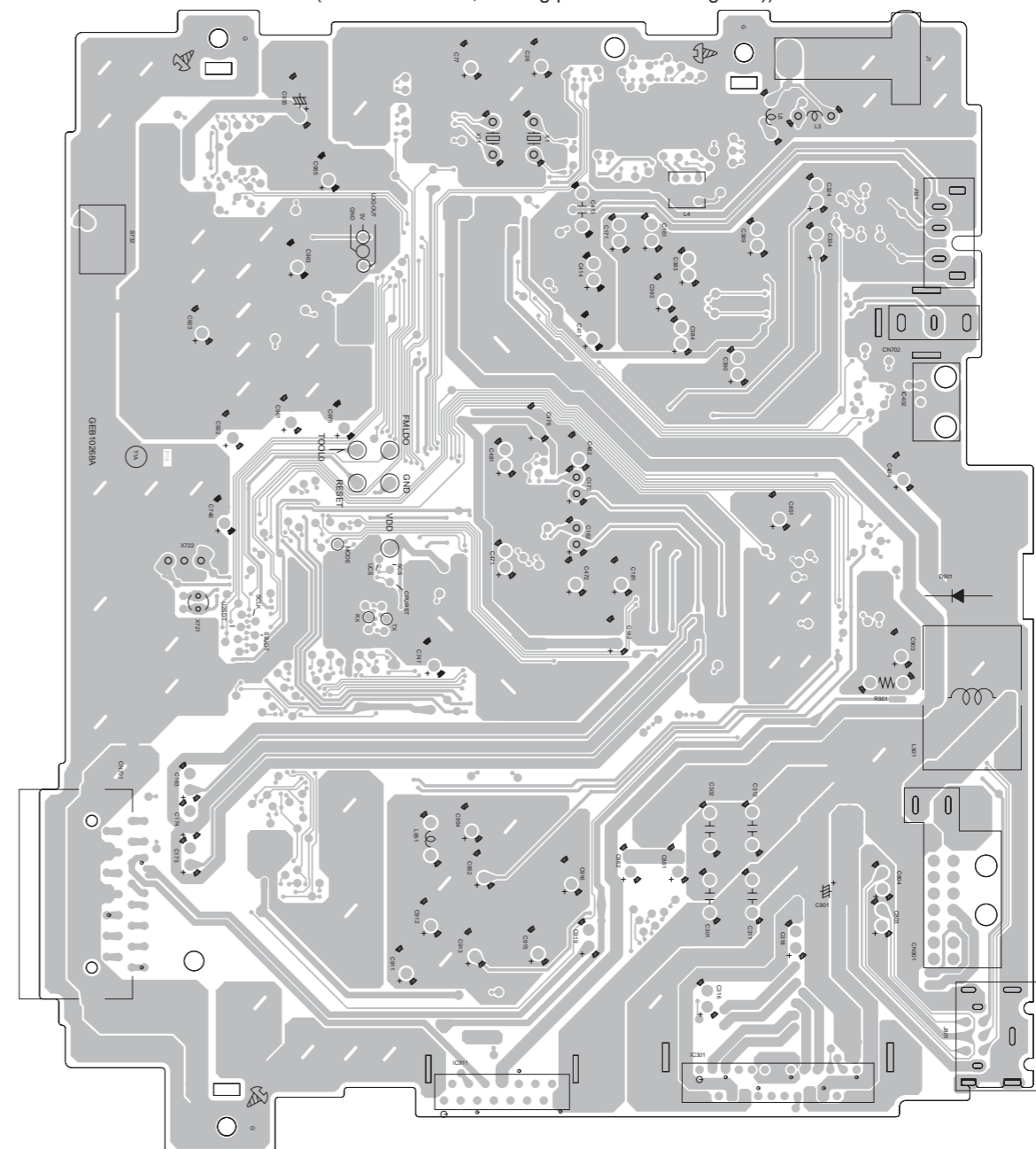
Switch board (forward side)

(Lead free solder used in the board (material : Sn-Ag-Cu, melting point : 219 Centigrade))
 (Lead free solder used in the board (material : Sn-Cu, melting point : 230 Centigrade))



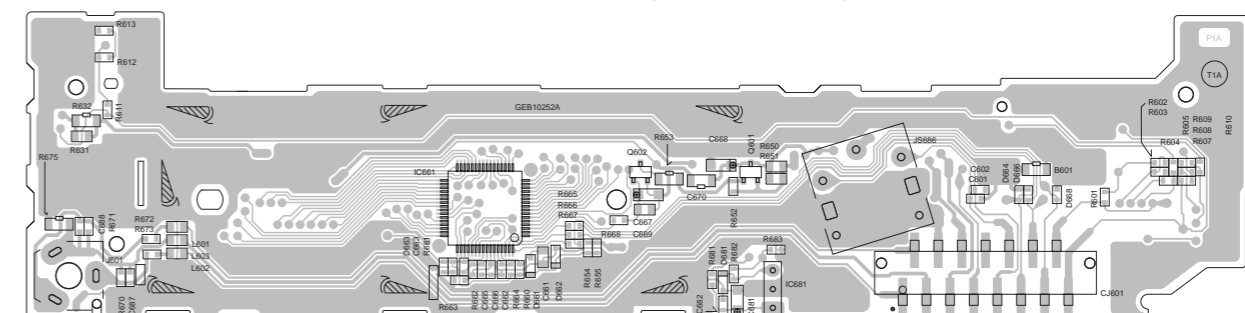
Old Main Board (Except DV4505/4506UH)(reverse side)

(Lead free solder used in the board (material : Sn-Ag-Cu, melting point : 219 Centigrade))
 (Lead free solder used in the board (material : Sn-Cu, melting point : 230 Centigrade))



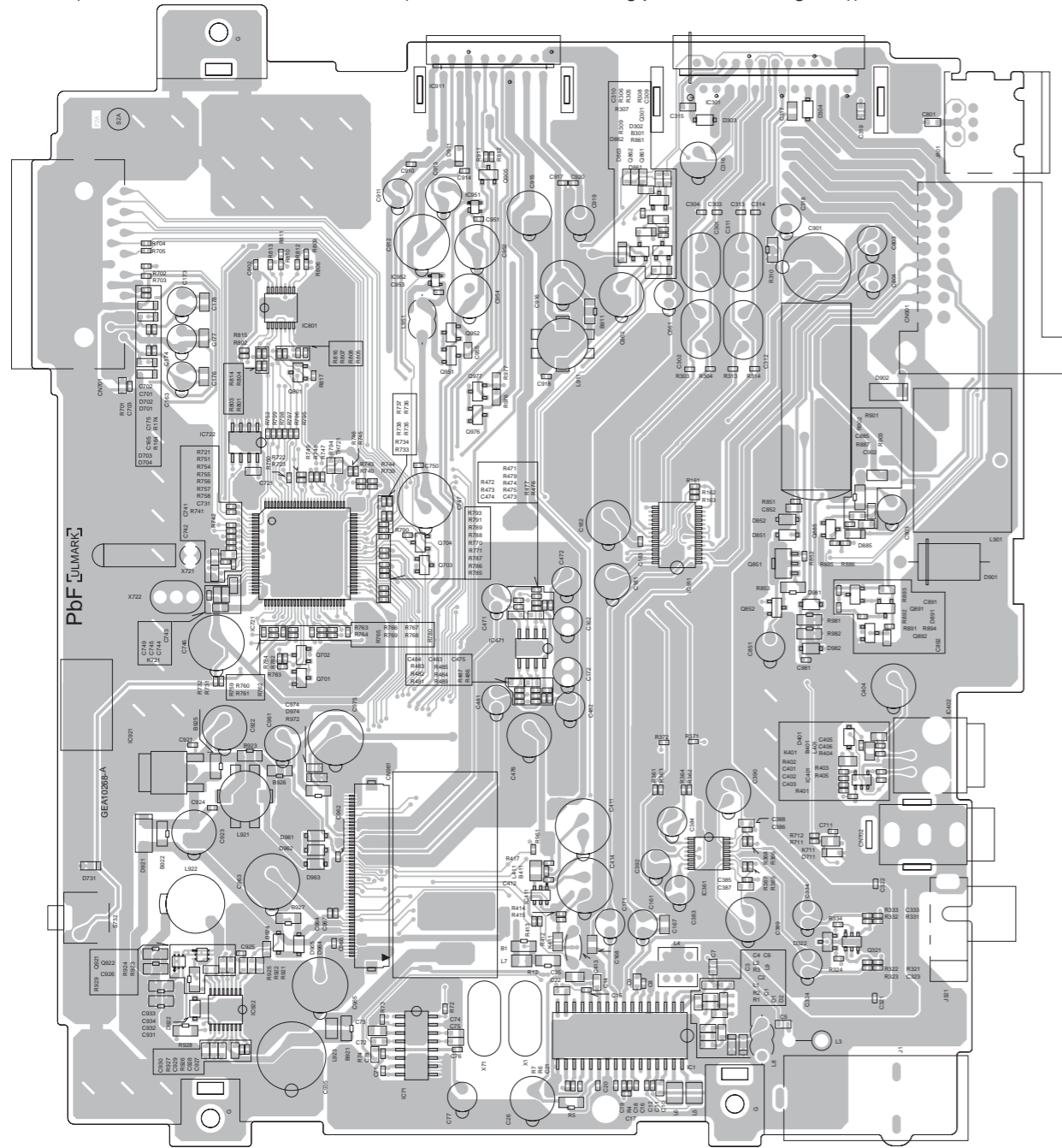
Switch board (reverse side)

(Lead free solder used in the board (material : Sn-Ag-Cu, melting point : 219 Centigrade))
 (Lead free solder used in the board (material : Sn-Cu, melting point : 230 Centigrade))



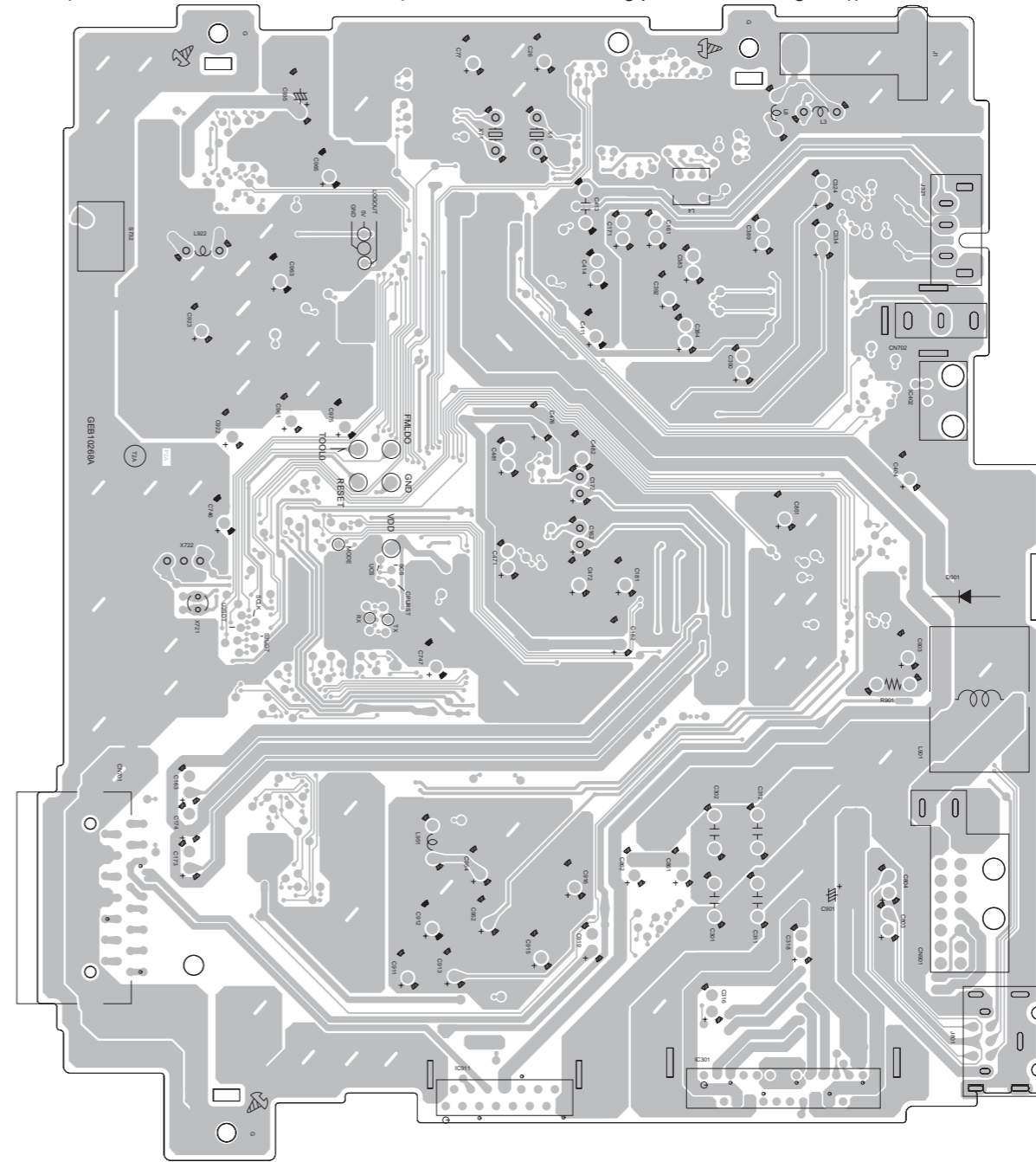
■ Main Board (Common)(forward side)

(Lead free solder used in the board (material : Sn-Ag-Cu, melting point : 219 Centigrade))
(Lead free solder used in the board (material : Sn-Cu, melting point : 230 Centigrade))



■ Main Board (Common)(reverse side)

(Lead free solder used in the board (material : Sn-Ag-Cu, melting point : 219 Centigrade))
(Lead free solder used in the board (material : Sn-Cu, melting point : 230 Centigrade))

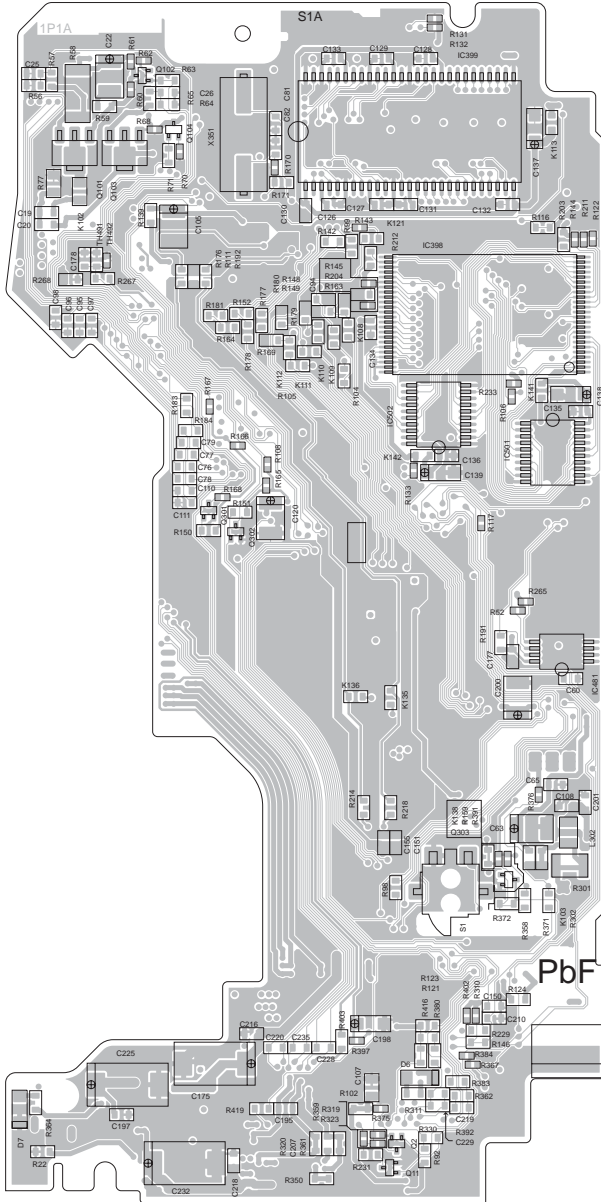


Old DVD board

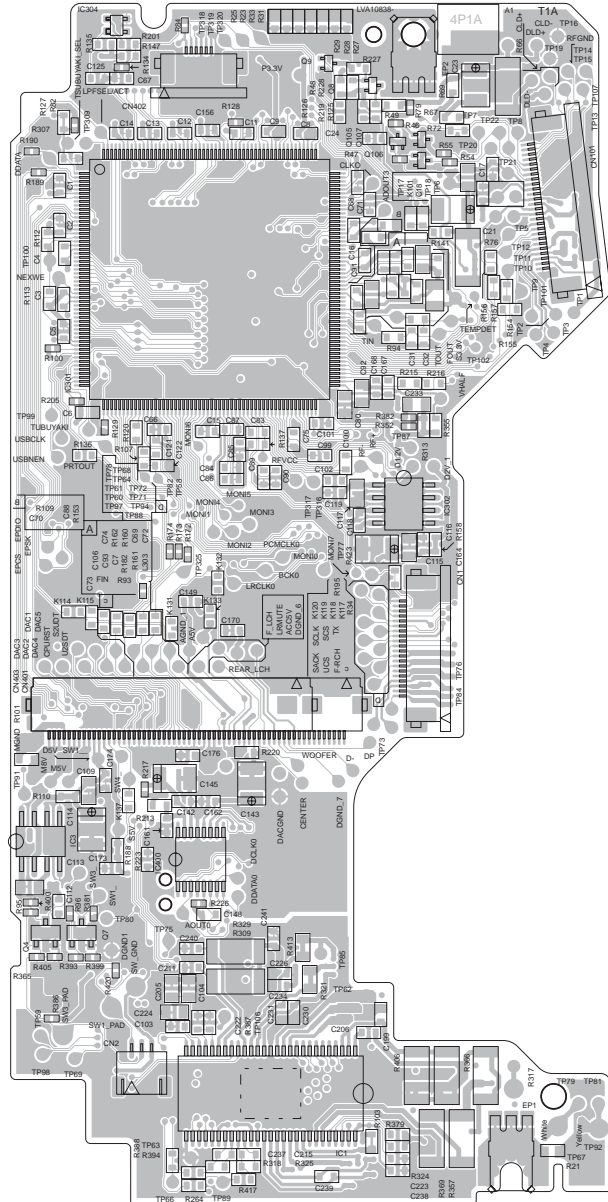
Lead free solder used in the board (material : Sn-Ag-Cu, melting point : 219 Centigrade)

Lead free solder used in the board (material : Sn-Cu, melting point : 230 Centigrade)

forward side



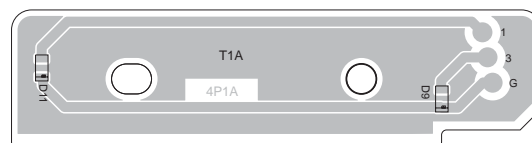
reverse side



forward side



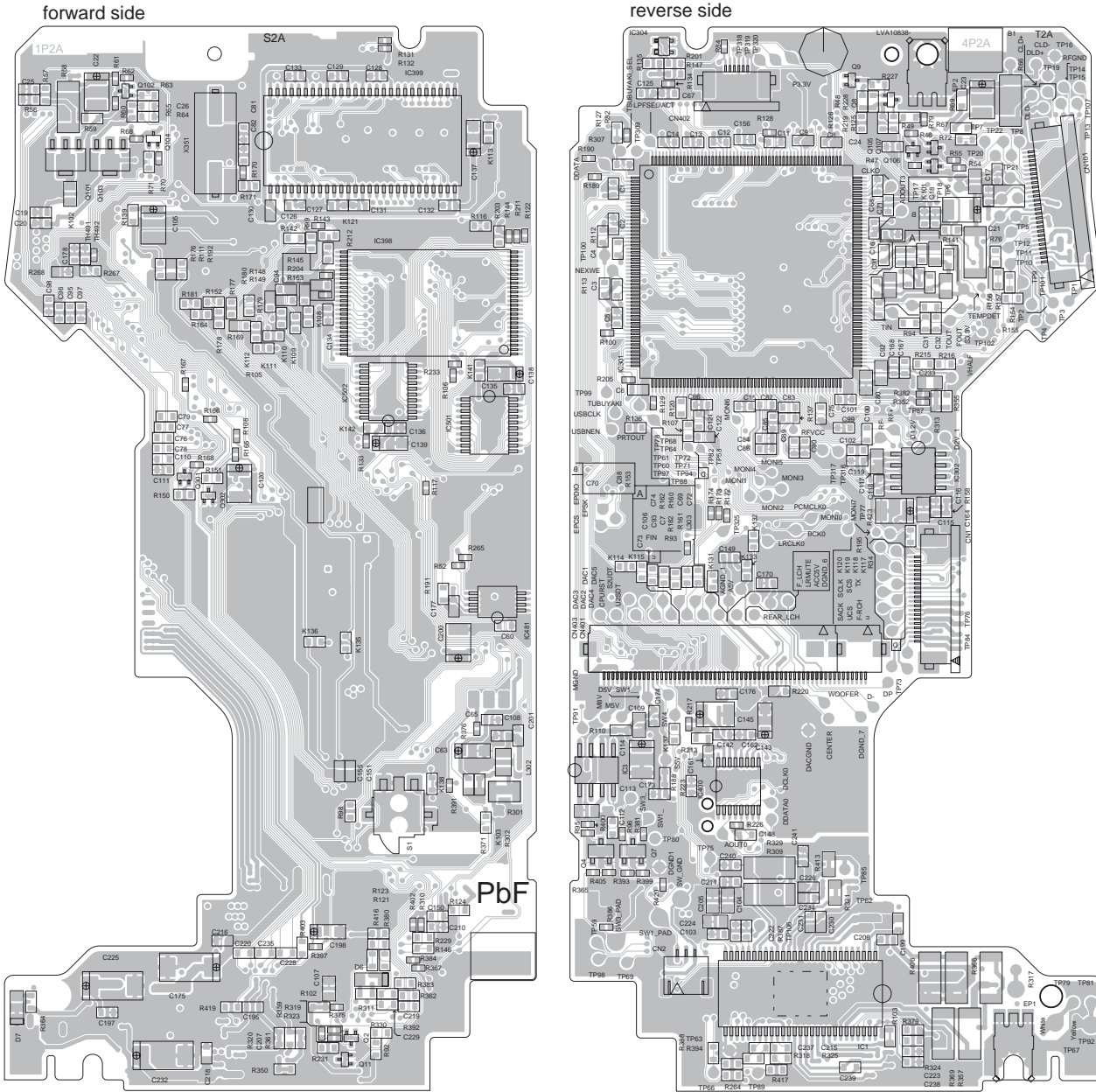
reverse side



DVD board

Lead free solder used in the board (material : Sn-Ag-Cu, melting point : 219 Centigrade)

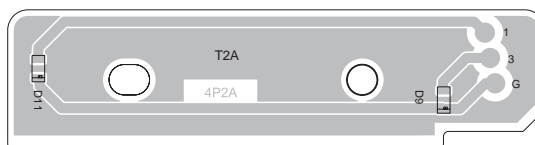
Lead free solder used in the board (material : Sn-Cu, melting point : 230 Centigrade)



forward side



reverse side



< MEMO >



Victor Company of Japan, Limited

Mobile Entertainment Division 10-1,1chome,Ohwatari-machi,Maebashi-city,Gumma-ken,371-8543,Japan